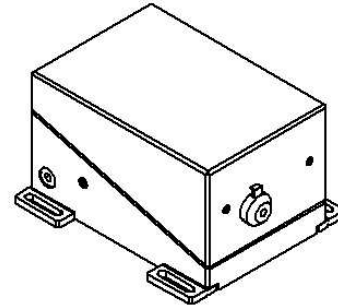
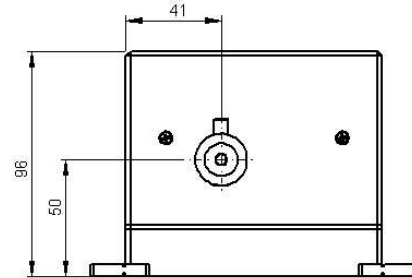
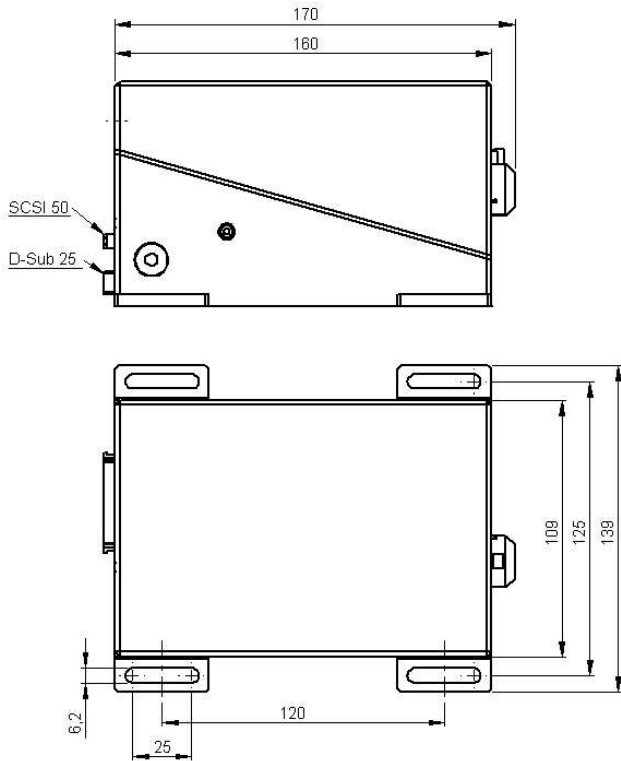


Specification for the Scherzo[®] 532nm Laser	
Output beam parameters:	
Output wavelength	532 nm
Rated output power (CW)	50, 100, 150, 200, 300 & 400 mW
Output beam diameter	0.5 mm (+/- 0.2) @ 10mm 1/e ²
Transverse mode structure	TEM ₀₀ , M ² < 1.05
Divergence	<1mrad ½ angle
Beam pointing stability	≤ 10 µrad / °C
Longitudinal mode structure	SLM (Single frequency), <1MHz line width
Polarisation	Vertical
Polarisation ratio	≥ 100 : 1
Output power noise (p-p)	≤ 2 % (10 Hz - 10 MHz)
Output power noise (rms)	≤ 0.3 % (10 Hz - 10 MHz)
Output power stability	≤ 2 % (4 hours)
Design 01_04_0014	
Thermal management	TEC conductive cooling through customer's metal heat sink plate
Operating temperatures (base plate)	15 - 35 °C
Storage temperatures	10 - 50 °C
Laser head size (L x W x H)	170 x 139 x 96 mm
Laser head weight	2540 g
Controller 04_01_01	
Dimensions (LxWxH)	175 x 104 x 45 mm
Weight	740 g
Accessories	
Power adapter	Standard AC/DC converter, 12 VDC, 140 W max with Mini-DIN 4 power connector
Cables	Included
Weight	1200 g

CW operation, turnkey system, output power fixed, completely aligned and sealed at production, no further alignment needed by user. Specification may be subject to some change without notice.

Schutzvermerk ISO 16016 beachten / Refer to protection notice ISO 16016

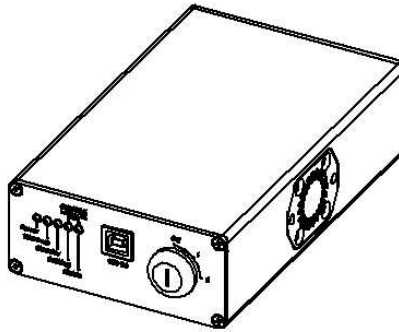
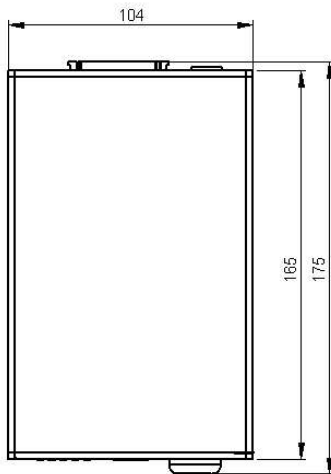
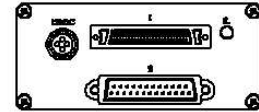
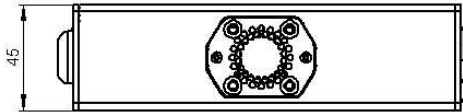
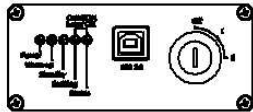


Schutzvermerk ISO 16016 beachten / Refer to protection notice ISO 16016

KLASTECH GmbH Friedenstr. 41-43, 44139 Dortmund, Germany www.klastech.com		
GENERAL TOLERANCES ISO 2768 - M	DESCRIPTION Scherzo_v02	
ALL DETAILS IN (mm) 	DRAWING NUMBER 01_04_0014	A4
	SCALE: 1 : 2	PAGE 1 of 1

Schutzvermerk ISO 16016 beachten / Refer to protection notice ISO 16016

Schutzvermerk ISO 16016 beachten / Refer to protection notice ISO 16016



KLASTECH GmbH Friedenstr. 41-43, 44139 Dortmund, Germany www.klastech.com		
GENERAL TOLERANCES ISO 2768 - FH	DESCRIPTION Controller_4A	
ALL DETAILS IN (mm) 	DRAWING NUMBER 04_01_01_v01	A4
	SCALE: 1:2	PAGE 1 of 1