



TAI-SAW TECHNOLOGY CO., LTD.

No. 3, Industrial 2nd Rd., Ping-Chen Industrial District,
Taoyuan, 324, Taiwan, R.O.C.

TEL: 886-3-4690038 FAX: 886-3-4697532

E-mail: tstsales@mail.taisaw.com Web: www.taisaw.com

Product Specifications Approval Sheet

Product Name: 33.9 MHz & 38.9MHz 5MHz BW 13.8x4.6mm Plastic DIP SAW IF Filter

TST Parts No.: TB1072A

Customer Parts No.: _____

Customer signature required
Company: _____
Division: _____
Approved by : _____
Date: _____

Checked by: _____ Kazuma Lee 

Approval by: _____ Francis Chen 

Date: _____ 02 / 23 / 2012

1. Customer signed back is required before TST can proceed with sample build and receive orders.
2. Orders received without customer signed back will be regarded as agreement on the specifications.
3. Any specifications changes must be approved upon by both parties and a new revision of specifications shall be released to reflect the changes.



TAI-SAW TECHNOLOGY CO., LTD.

No.3, Industrial 2nd Rd., Ping-Chen Industrial District, Taoyuan, Taiwan, R.O.C.

TEL : 886-3-4690038 FAX : 886-3-4697532

E-mail : tstsales@ms52.hinet.net Web: www.taisaw.com

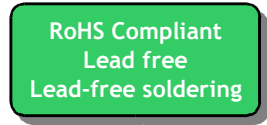
IF SAW Filter 33.9 & 38.9 MHz for Video Applications

MODEL NO.: TB1072A

REV. NO.:1

A. FEATURES:

- 1. TV SAW Filter for Video Application



B. MAXIMUM RATING:

Electrostatic Sensitive Device

Operating Temperature Range	T _A	-25~65	°C	
Storage Temperature Range	T _{stg}	-40~85	°C	
DC voltage	V _{DC}	12	V	Between any terminals
AC voltage	V _{PP}	10	V	Between any terminals

C. ELECTRICAL CHARACTERISTICS:

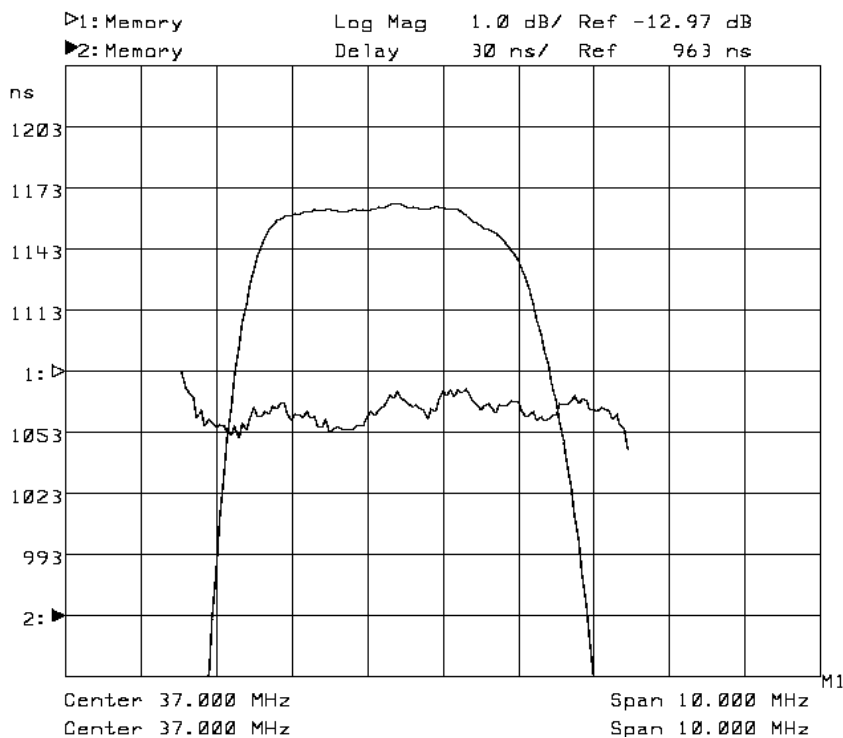
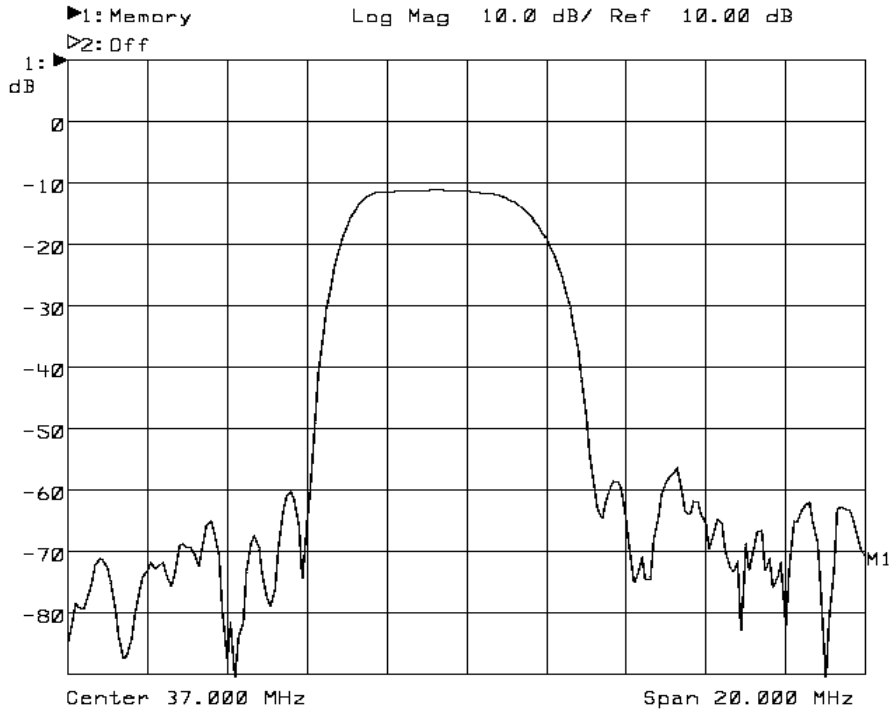
- Reference temperature: Ta=25°C
- Terminating source impedance Z_S=50Ω
- Terminating load impedance Z_L=2kΩ//3 pF

FREQUENCY(MHz)		VALUE			unit
		Min	Typ.	Max.	
Insertion attenuation	37.40 MHz	11.5	13.5	15.5	dB
Reference Frequency	37.40 MHz		0		
Picture carrier	38.90 MHz	4.8	6.3	7.8	dB
	33.90 MHz	5.8	7.3	8.8	dB
Color carrier	34.47MHz	-0.5	1.0	2.5	dB
Sound carrier	33.40 MHz	20.0	24.0	-	dB
	32.90 MHz	44.0	51.0	-	dB
	32.40 MHz	42.0	53.0	-	dB
Adjacent picture carrier	30.90 MHz	45.0	53.0	-	dB
	31.90 MHz	45.0	53.0	-	dB
	40.15 MHz	36.0	39.0	-	dB
Adjacent sound carrier	40.40 MHz	45.0	52.0	-	dB
	40.90MHz	43.0	52.0	-	dB
	41.40 MHz	43.0	51.0	-	dB
Lower sidelobe:	25.00-31.90 MHz	42.0	49.0	-	dB
Upper sidelobe:	40.40-45.00 MHz	37.0	42.0	-	dB
Reflected wave signal suppression		40.0	50.0	-	dB
Feedthrough signal suppression		46.0	56.0	-	dB

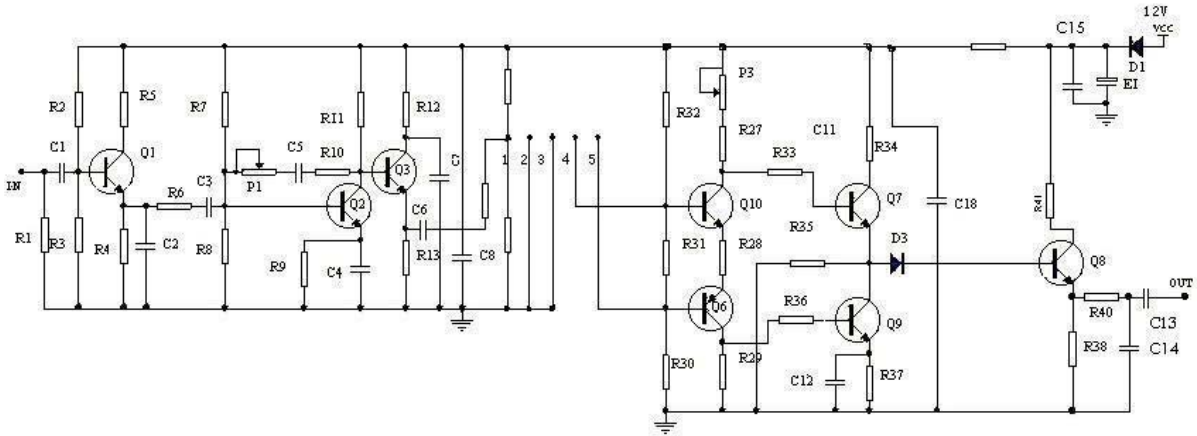
TST DCC
Release document

Group delay ripple (p-p)	-	50	-	ns
Impedance at 37.40 MHz				
Input Impedance	1.3 17.1			$k\Omega$ pF
Output Impedance	1.6 4.7			$k\Omega$ pF
Temperature coefficient	TC	-	-72	ppm/K

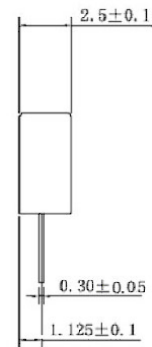
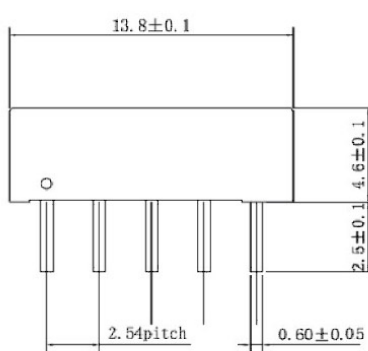
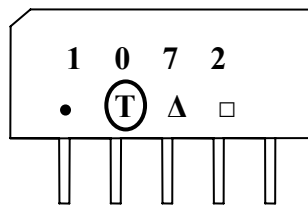
D. FREQUENCY CHARACTERISTICS:



E. TEST CIRCUIT



F. Outline Drawing:



Pin No. Functions

1. Input
2. Input ground
3. Chip carrier - ground
4. Output
5. Output

□ : Week Code (Follow the table from planner each year)

△ : Product / Year Code

Product Code Table

Year	2009 2013	2010 2014	2011 2015	2012 2016
Product Code	B	b	<u>B</u>	<u>b</u>

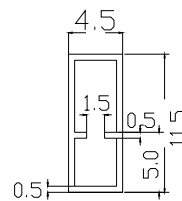
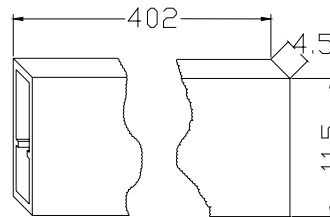
Date Code Table

WK01	WK02	WK03	WK04	WK05	WK06	WK07	WK08	WK09	WK10	WK11	WK12	WK13
A	B	C	D	E	F	G	H	I	J	K	L	M
WK14	WK15	WK16	WK17	WK18	WK19	WK20	WK21	WK22	WK23	WK24	WK25	WK26
N	O	P	Q	R	S	T	U	V	W	X	Y	Z
WK27	WK28	WK29	WK30	WK31	WK32	WK33	WK34	WK35	WK36	WK37	WK38	WK39
a	b	c	d	e	f	g	h	i	j	k	l	m
WK40	WK41	WK42	WK43	WK44	WK45	WK46	WK47	WK48	WK49	WK50	WK51	WK52
n	o	p	q	r	s	t	u	v	w	x	y	z

G. Packing:

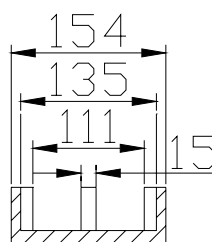
1. Plastic tube (1:5)

A plastic tube contains 28PCS saw filters.

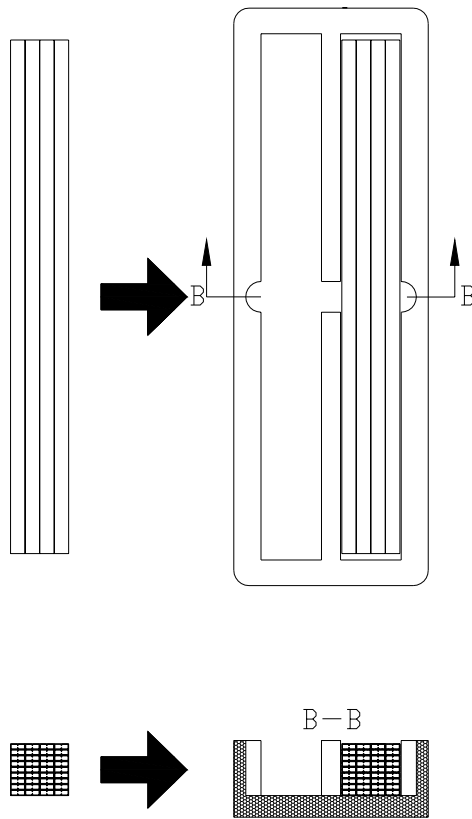


2 .double-trough Styrofoam (1:2)

The plastic tubes were be placed in the double-trough Styrofoam. One trough contains 1000PCS saw filters, so a double-trough Styrofoam can contains 2000PCS saw filters.

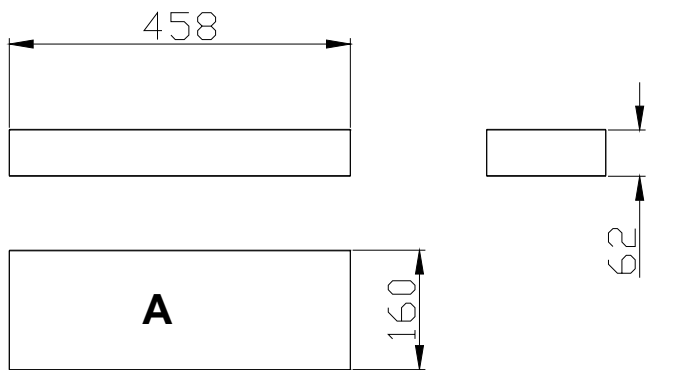


3. Plastic tube in double-trough Styrofoam view(1:2)



4. Inner carton box (1:4)

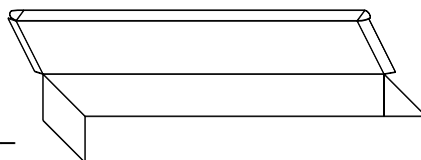
An inner carton box contains one double-trough Styrofoam.



Bottom left corner
of A:

TYPE _____

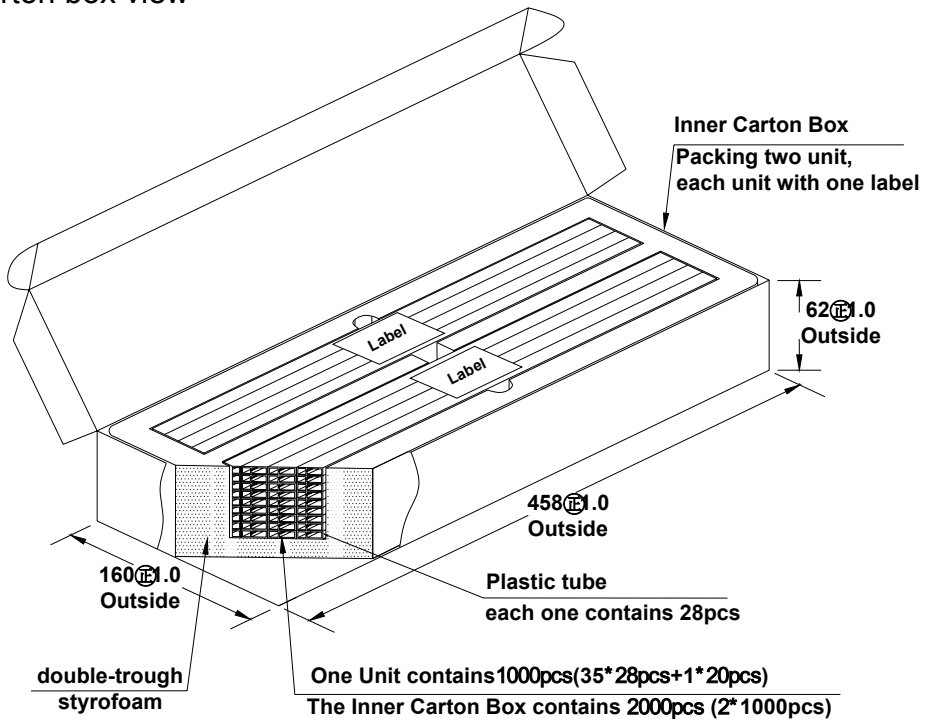
QUANTITY _____



Top right corner
of A:

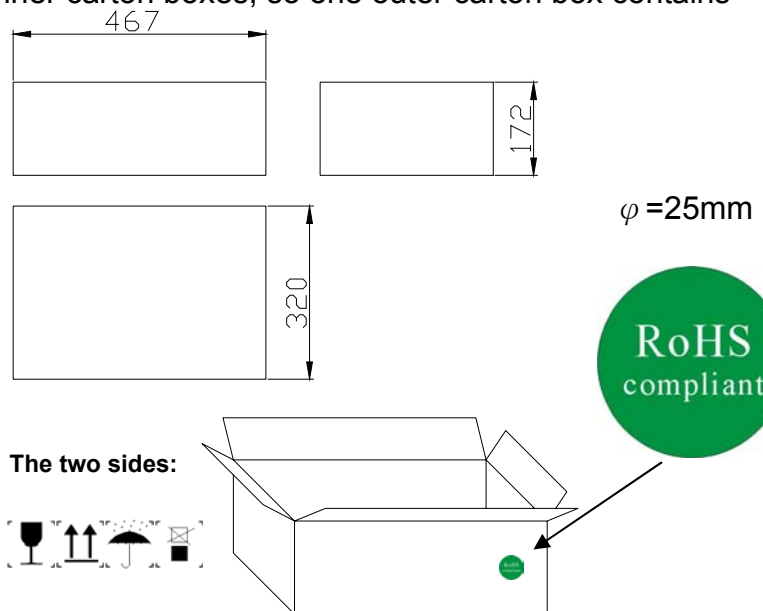


5.Inner carton box view



6.Outer carton box (1:4)

A outer carton box contains four inner carton boxes, so one outer carton box contains 8000PCS saw filters.



Storage condition after packing

1. Storage temperature: $-10^{\circ}\text{C} \sim +40^{\circ}\text{C}$
2. Storage humidity: 40%~70%
3. Using deadline: 2 year after purchasing
4. Soldering Ability should be checked if over the using deadline