



# TAI-SAW TECHNOLOGY CO., LTD.

No. 3, Industrial 2nd Rd., Ping-Chen Industrial District,  
Taoyuan, 324, Taiwan, R.O.C.

TEL: 886-3-4690038 FAX: 886-3-4697532

E-mail: [tstsales@mail.taisaw.com](mailto:tstsales@mail.taisaw.com) Web: [www.taisaw.com](http://www.taisaw.com)

## Approval Sheet For Product Specification

Issued Date: Nov, 21, 2006

Product Name: SAW Filter 1880 MHz SMD 3.0X3.0 mm

TST Parts No.: TA0613A

Customer Parts No.: \_\_\_\_\_

Company: _____
Division: _____
Approved by : _____
Date: _____

Checked by: \_\_\_\_\_ Bob Chau

Approval by: \_\_\_\_\_ Francis Chen

Date: \_\_\_\_\_ 11, 21, 2006



# TAI-SAW TECHNOLOGY CO., LTD.

No. 3, Industrial 2nd Rd., Ping-Chen Industrial District,  
Taoyuan, 324, Taiwan, R.O.C.

TEL: 886-3-4690038 FAX: 886-3-4697532

E-mail: [tstsales@mail.taisaw.com](mailto:tstsales@mail.taisaw.com) Web: [www.taisaw.com](http://www.taisaw.com)

## SAW Filter 1880MHz

MODEL NO.:TA0613A

REV. NO.:1

### A. MAXIMUM RATING:

1. Input Power Level: 10 dBm
2. DC Voltage : 3V
3. Operating Temperature: -20°C to +75°C
4. Storage Temperature: -40°C to +85°C

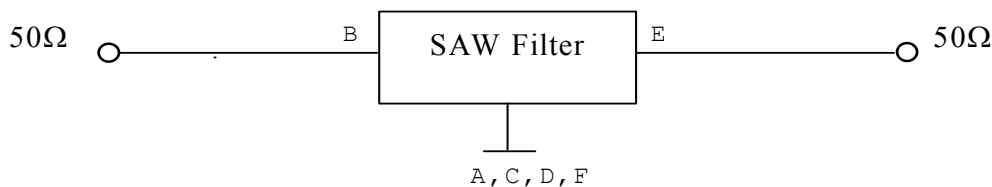
RoHS Compliant  
Lead free  
Lead-free soldering

### B. ELECTRICAL CHARACTERISTICS:

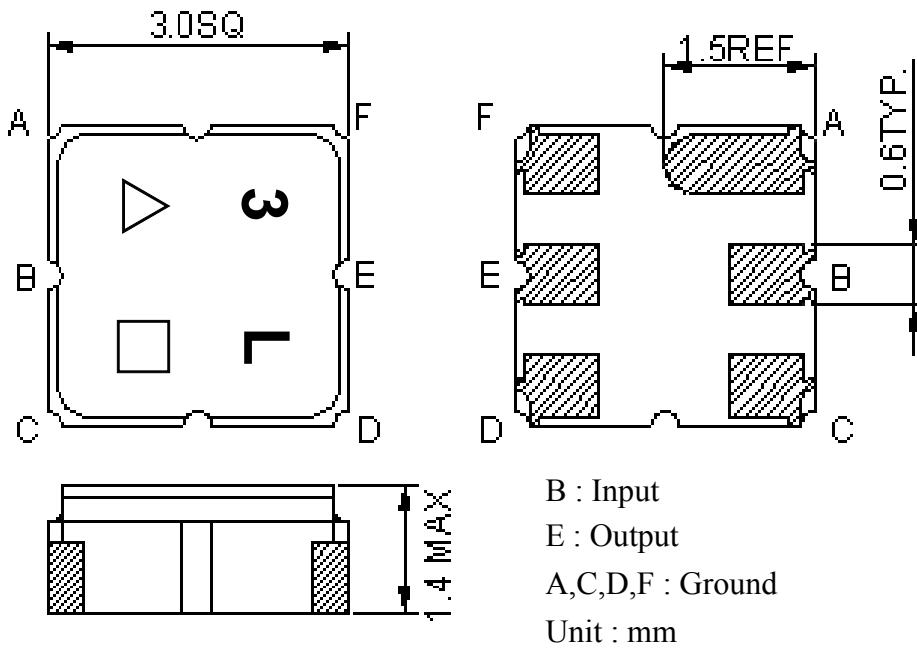
Item	Unit	Min.	Type.	Max.	Note
Center Frequency <b>Fc</b>	MHz	-	1880	-	-
Insertion Loss (1847.5 ~ 1912.5 MHz) <b>IL</b>	dB	-	3	4	-
Amplitude Ripple (1847.5 ~ 1912.5 MHz)	dB	-	1.4	2.5	-
I/O Return Loss (1847.5 ~ 1912.5 MHz)	dB	7.4	11	-	-
<b>Relative Attenuation (relative to 0 dB)</b>					
D.C. ~ 1660 MHz	dB	20	31	-	-
1660 ~ 1721 MHz	dB	30	36	-	-
1721 ~ 1800 MHz	dB	20	40	-	-
1960 ~ 2040 MHz	dB	25	40	-	-
2040 ~ 2480 MHz	dB	31	38	-	-
3700 ~ 3820 MHz	dB	25	32	-	-

### C. MEASUREMENT CIRCUIT:

HP Network analyzer

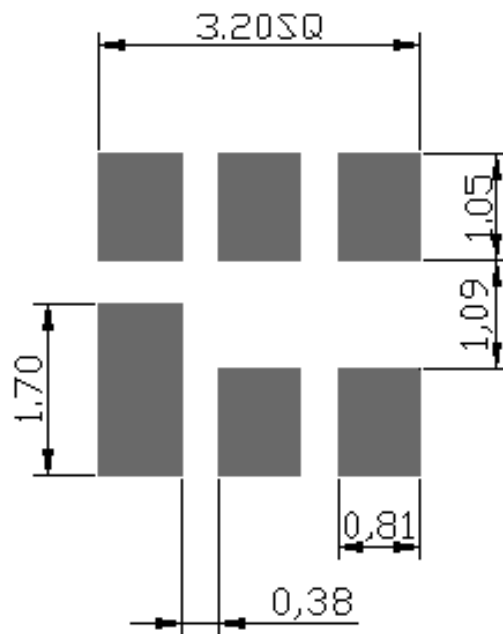


**D.OUTLINE DRAWING:**

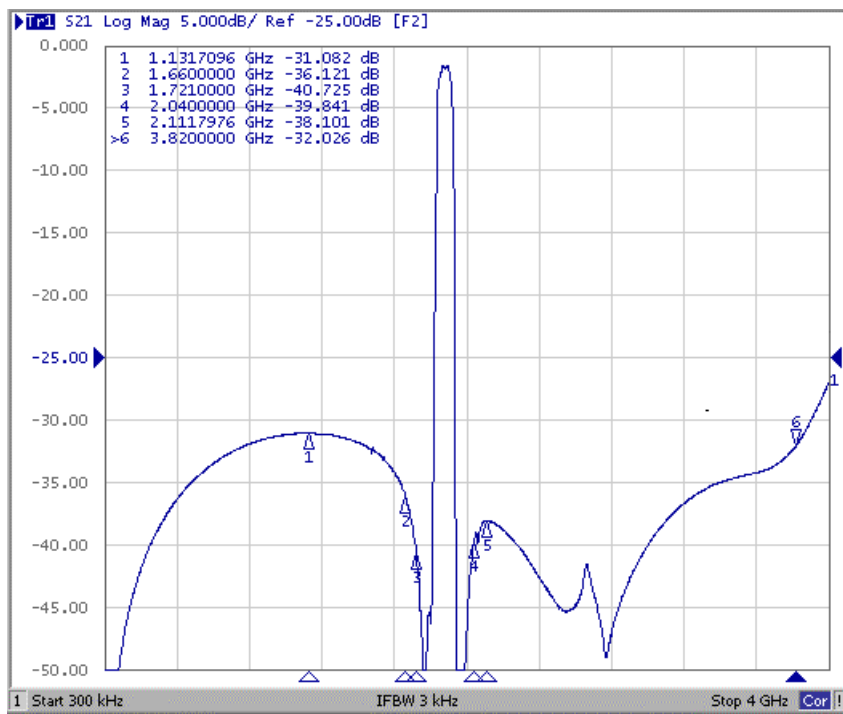
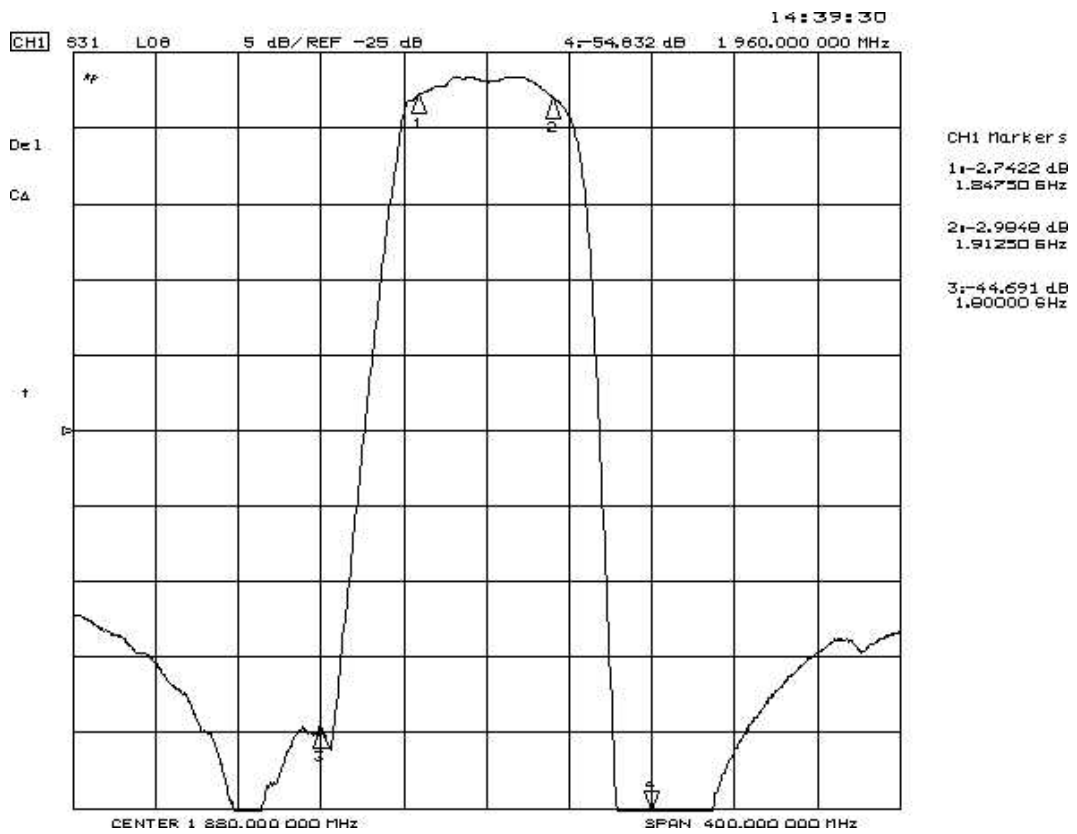


- △ : Year Code (2006->6, ..., 2009->9)
- : Date Code (Follow the table from planner each year)

**E. PCB Footprint:**

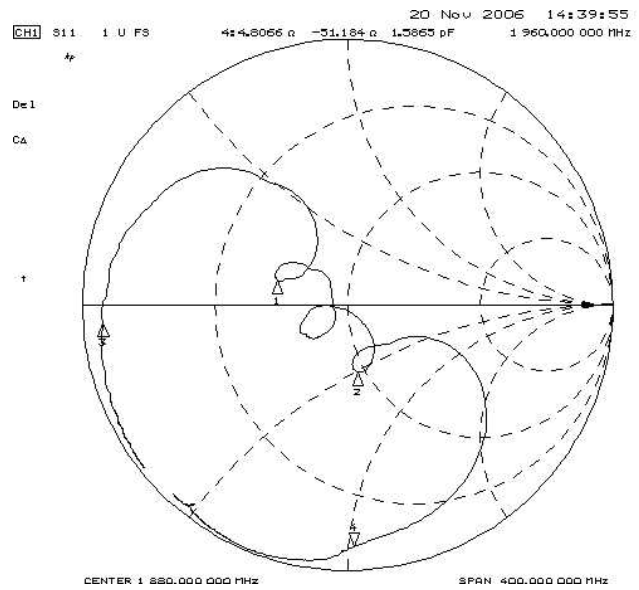
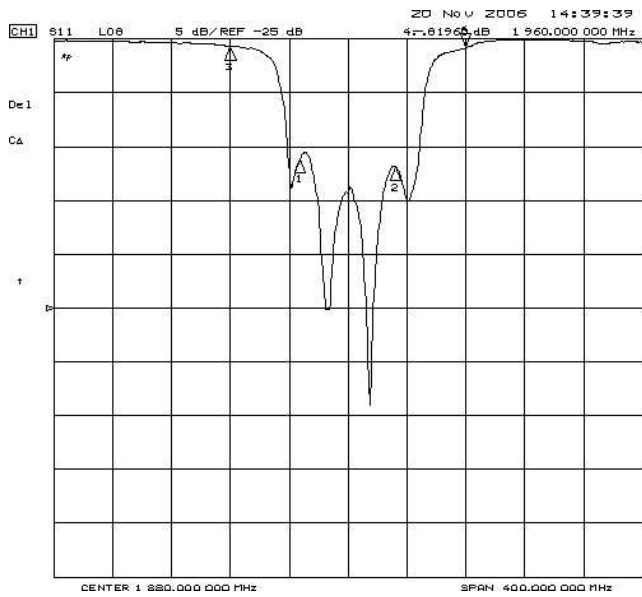


## F. Frequency Characteristics :

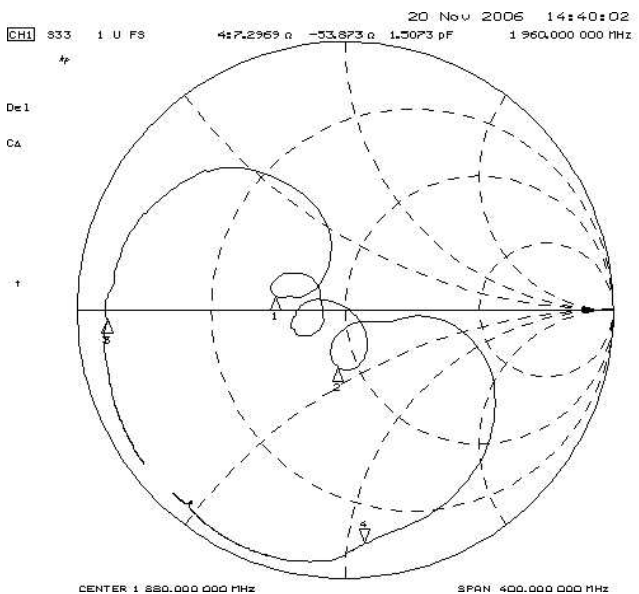
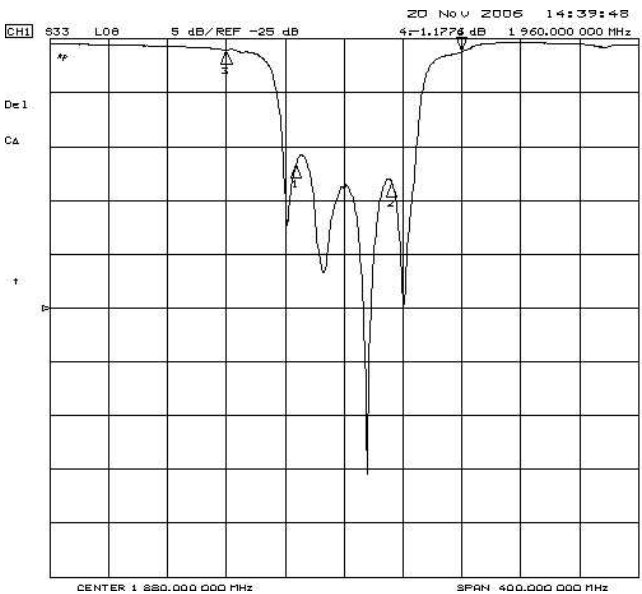


# Reflection Functions :

## S11



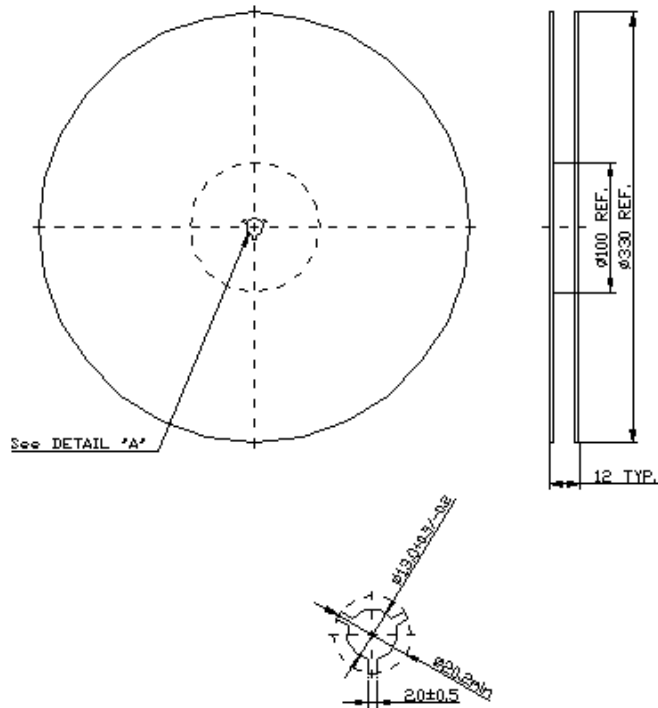
## S22



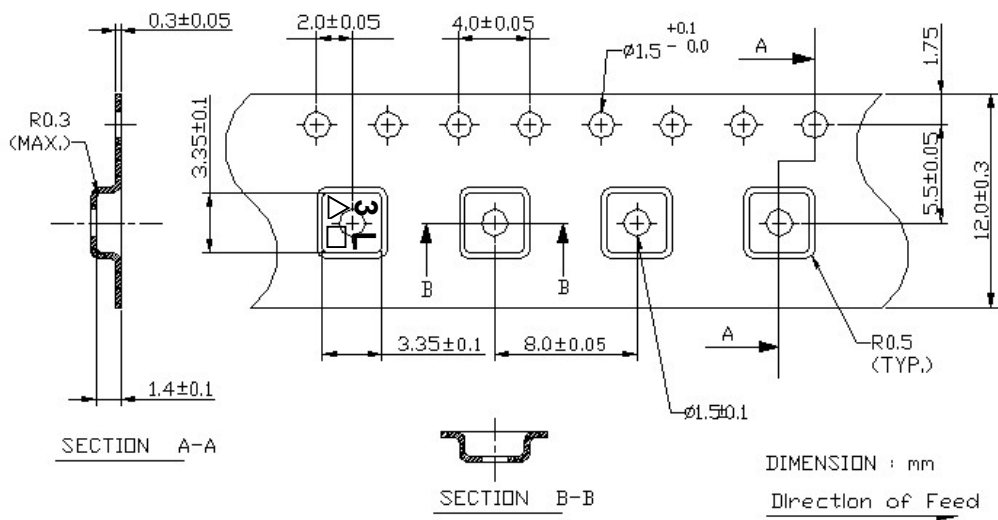
**G. PACKING:**

**1. REEL DIMENSION**

(Reel Count : 7"=1000 ; 13"=3000 )



**2. TAPE DIMENSION**



## H. RECOMMENDED REFLOW PROFILE :

