

# OSIRIS Scout

## Mid-range camera platform

The Osiris Scout is a ready to go surveillance system which is perfect for mid-range surveillance applications. Mounted on the Osiris PT platform, the cameras are able to scan the targets with pin point accuracy.

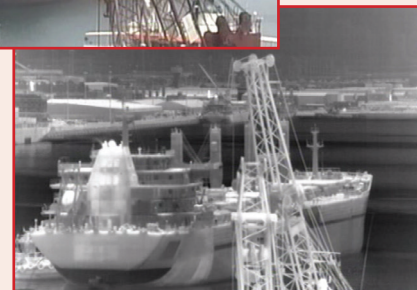
The Osiris Scout is offered with both a proven DRS, 17µm VOx thermal module twinned with either an SD or HD video camera featuring a powerful optical zoom lens allowing the operator to both detect and then zoom into the area of interest. Both thermal and video outputs are provided simultaneously.

The robust aluminium housings are rated to IP67 and are anodised and powder coated to withstand harsh environmental conditions. Optical encoders ensure positional accuracy and are allied to a self-correction system that will automatically keep the cameras in the desired position.

The unit provides absolute positioning feedback so it can be easily integrated into a larger security infrastructure and combined with radar or other detection systems.

### Key features

- HD or SD video camera with powerful optical zoom lens
- Uncooled 9° 35mm Thermal Imaging Camera
- IP or HD-SDI options
- IP67 environmental protection
- Up to 100 degrees per second pan speed (Subject to payload)
- Self correction positioning system
- Proportionate speed control
- Low backlash belt drive (Optional harmonic drive available)
- Flexible mounting options
- User friendly OSD menu structure
- Optical encoders
- Fully cable managed solution
- Optional heater for extra low temperature operation



### The Silent Sentinel Range

Silent Sentinel offer an extensive range of camera and lens configurations to meet your exact surveillance requirements.

Contact customer service for more information on our full range of products and bespoke design and build services.

Tel: + 44 (0)1992 558 093

[www.silentsentinel.com](http://www.silentsentinel.com)



OCULUS



AERON



OSIRIS



JAEGAR

## Osiris standard and HD video range

Video type	SD	HD
Optical zoom	36x	30x
Digital Enlargement	12x (432x combined)	12x (360x with optical zoom)
Image Sensors	1/4" Exview CCD	1/2.8" type Exmor CMOS sensor
Resolution	520TVL	Approx 3.27 million
Signal System	PAL	HD: 1080p/SD:NTSC/PAL
Lens (wide to tele)	F=3.4mm to 122.4mm F1.6 to F4.5	f=4.3mm to 129.0mm, F1.6 to F4.7
Angle of view – horizontal	58.° (W) to 1.7° (T)	54.1° (W) to 2.9° (T)
Minimum illumination (SOIRE)	1.4lux Colour, 0.01lux Mono	1.7 lux, 0.5 lux in High Sens Mode
Video output	Composite	Digital/IP

## Osiris thermal range

Video type	Thermal
Sensor type	Uncooled VOx Microbolometer
Pixel size	17µ
Spectral band	8-14µm
Thermal sensitivity	<50mK
Array format	320x240
Frames rates	9Hz, 25Hz
Image control	White hot, Black hot, Invert
Focus	Fixed, preset, Athermalised
Zoom	E-zoom 1-4, Region of interest
FOV	9° - 35mm f1.2
Video Output	Composite

## PTZ - Unit

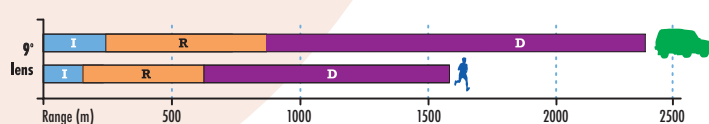
IP rating	IP67
Actuation	Pan and tilt stepper motors
Position encoders	Optical encoders on pan and tilt motors
Repeatability	0.09°
Pan rotation	360° continuous
Pan speed	0.02 -> 100°/Sec*
Tilt speed	0.02 -> 100°/Sec*
Tilt range	+30° to -90°
Temperature range	-30°C (-22°F) up to +65°C (149°F) (-40°C (-40°F) with optional heater)
Power	28 - 32VDC 5.0Amps
Housing material	Cast aluminium
Housing finish	Epoxy powder finish
Fixings material	Stainless Steel
Additional features	Focal length dependent speed control Equipped with external fall protection *Subject to payload

## Telemetry

Presets	127
Protocols	Pelco D, SSP
Parameter programming	Via RS485 or RS422
Privacy zones	4
Compass heading	Cardinal point and/or degrees
Additional features	Programmable text within picture (camera identification) Camera body parameter control (RS232 or RS485) TCP/IP prepared

## Detection, Recognition, Identification range charts

DA Type Thermal



### Key to Johnson's Criteria charts

- D** Detection - an object is present (-2 pixels)
- R** Recognition - the object can be discerned (- 8 pixels)
- I** Identification - the object can be identified e.g. male versus female, a specific car (- 12.8 pixels)

Note: Ranges may vary depending on atmospheric conditions



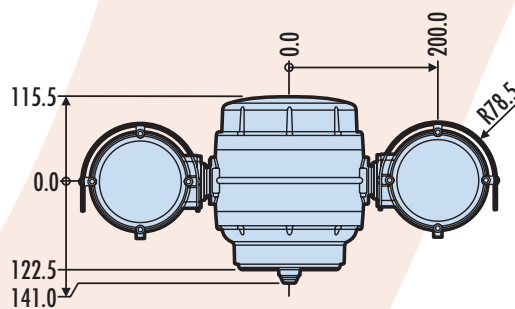
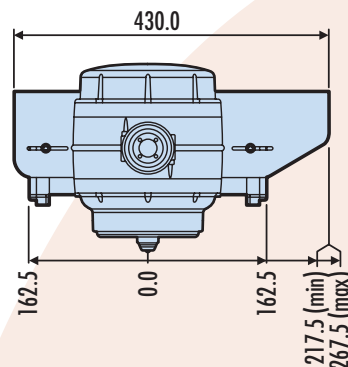
Designed and manufactured in the UK.

## Ordering Information

Product code	Product Description
OPT-PSCOUTFB	Osiris Scout, Black
OPT-PSCOUTFW	Osiris Scout, White
OPT-HSCOUTFB	Osiris HD Scout, Black
OPT-HSCOUTFW	Osiris HD Scout, White

## Dimensions (in millimeters)

Main housing plus pan/tilt unit



## Tower mount bracket

