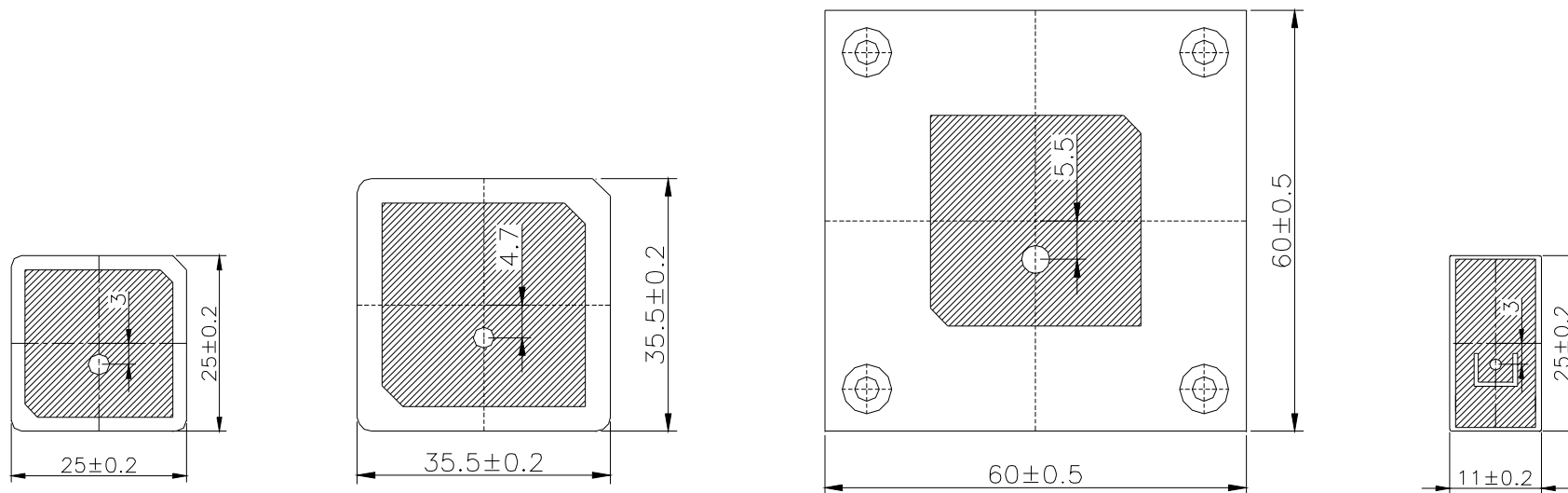
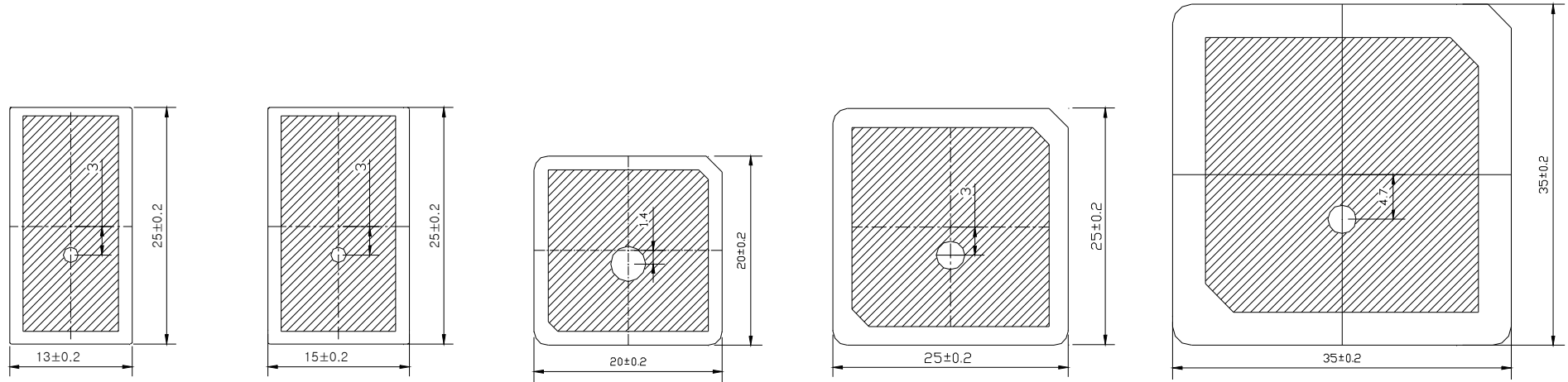


KSA-	ST1575MS13	ST1575MS15	ST1575MS18	ST1575MS20
Size	13x13x3.5mm	15x15x4mm	18x18x4mm	20x20x4mm
10 dB Bandwidth	5 MHz min.	8 MHz min.	10 MHz min.	15 MHz min.
Return Loss @ Fc	15 dB min.	15 dB min.	15 dB min.	15 dB min.
Impedance	50 Ω	50 Ω	50 Ω	50 Ω
Gain [V-H SUM]	1.0 dBi peak	3.0 dBi peak	3.2 dBi peak	4.0 dBi peak
Polarization	RHCP, LHCP	RHCP, LHCP	RHCP, LHCP	RHCP, LHCP
Test Ground	50x50mm	50x50mm	50x50mm	60x60mm



KSA-	ST1575MS25	ST1575MS36	ST1575MS60	SP1575MS2511GP6616
Size	25x25x4mm	35.5x35.5x4mm	60x60x4mm	25x11x4mm
10 dB Bandwidth	15 dB min.	30 MHz min.	40 MHz min	5 MHz min.
Return Loss @ Fc	15 dB min.	15 dB min.	15 dB min.	15 dB min.
Impedance	50 Ω	50 Ω	50 Ω	50 Ω
Gain [V-H SUM]	5.0 dBi peak	6.0 dBi peak	6.2 dBi peak	1.0 dBi peak
Polarization	RHCP, LHCP	RHCP,LHCP	RHCP,LHCP	Linear
Test Ground	70x70mm	80x80mm	80x80mm	66x16mm



KSA-	SP1575MS2513GP6616	SP1575MS2515GP6616	ST2336MS20	ST2336MS25	ST2336MS36
Size	25x13x4mm	25x15x4mm	20x20x4mm	25x25x4mm	35x35x4mm
10 dB Bandwidth	8 MHz min.	15 MHz min.	35 MHz min.	60 MHz min	90 MHz min
Return Loss @ Fc	15 dB min.	15 dB min.	15 dB min.	15 dB min.	15 dB min.
Impedance	50 Ω	50 Ω	50 Ω	50 Ω	50 Ω
Gain [V-H SUM]	2.0 dBi peak	2.5 dBi peak	5 dBi peak	6 dBi peak	6.5 dBi peak
Polarization	Linear	Linear	RHCP, LHCP	RHCP, LHCP	RHCP, LHCP
Test Ground	66x16mm	66x16mm	60x60mm	70x70mm	80x80mm