

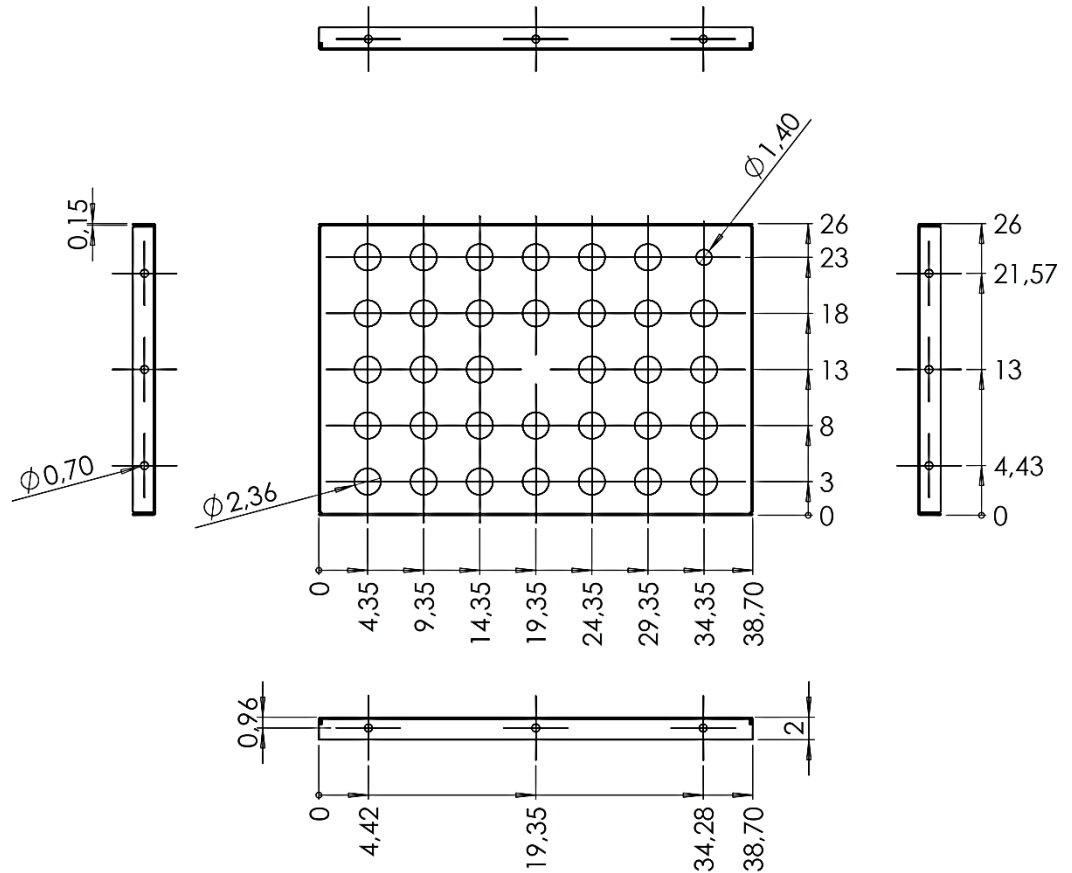
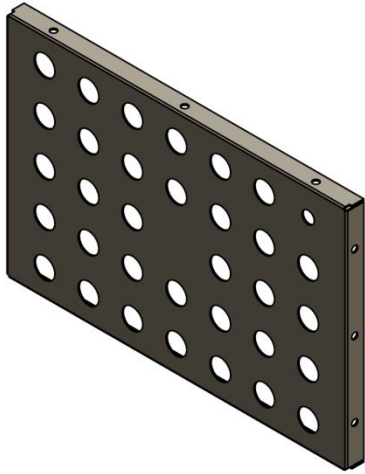
## TWO-PIECE SHIELDS

SGH-38,70x26,00x2,00x0,15-FS-C

SGH-38,10x25,40x6,00x0,20-FS-F

### COVER

SGH-38,70x26,00x2,00x0,15-FS-C



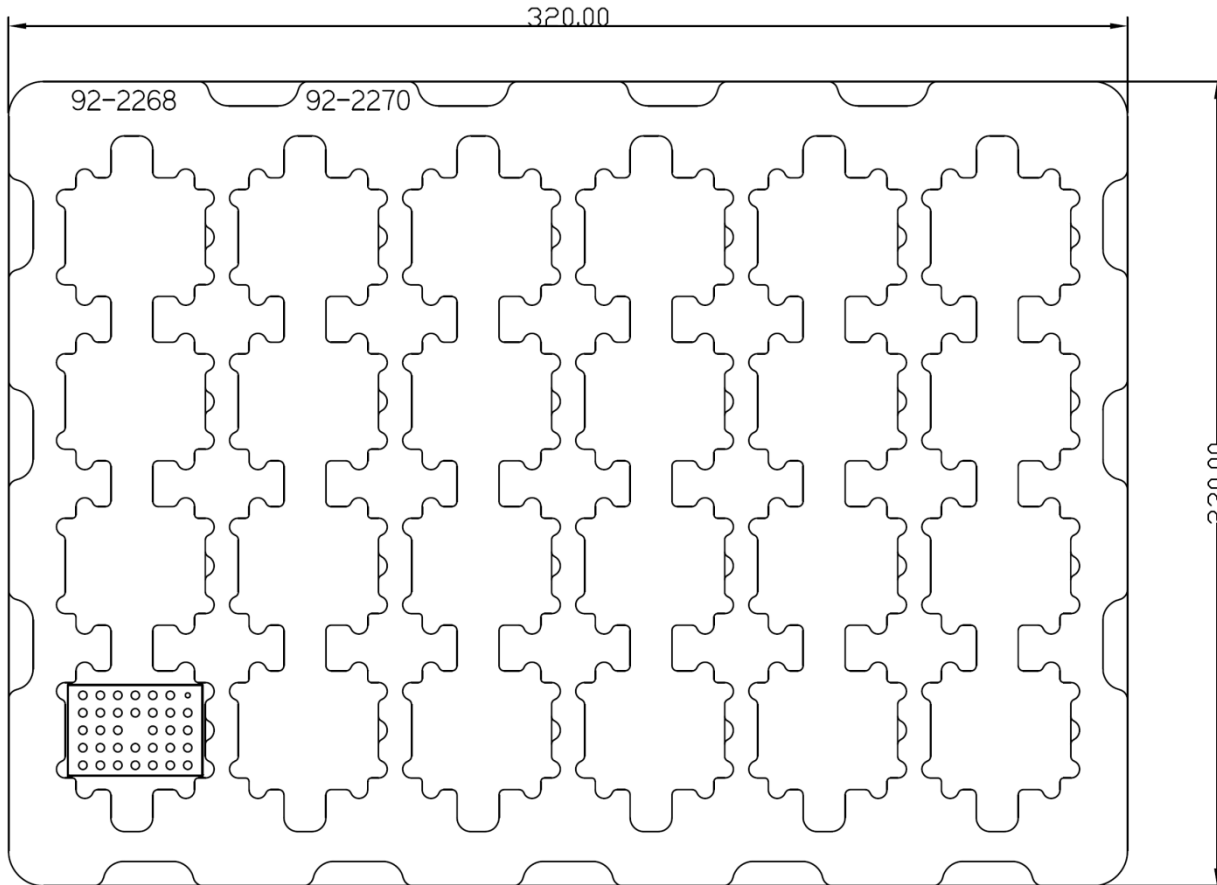
Property	Value	Tolerance
Thickness	0,15 mm	ISO 2768-mK
Length	38,70 mm	ISO 2768-mK
Width	26,00 mm	ISO 2768-mK
Height	2,00 mm	ISO 2768-mK
Material	SPTE	
Plating	Tin-plated	

## TWO-PIECE SHIELDS

SGH-38,70x26,00x2,00x0,15-FS-C

SGH-38,10x25,40x6,00x0,20-FS-F

### PACKING SPECIFICATION – TRAY (mm)



- Material: white PS
- Tolerances:  $\pm 0,30$  to  $\pm 0,50$  mm

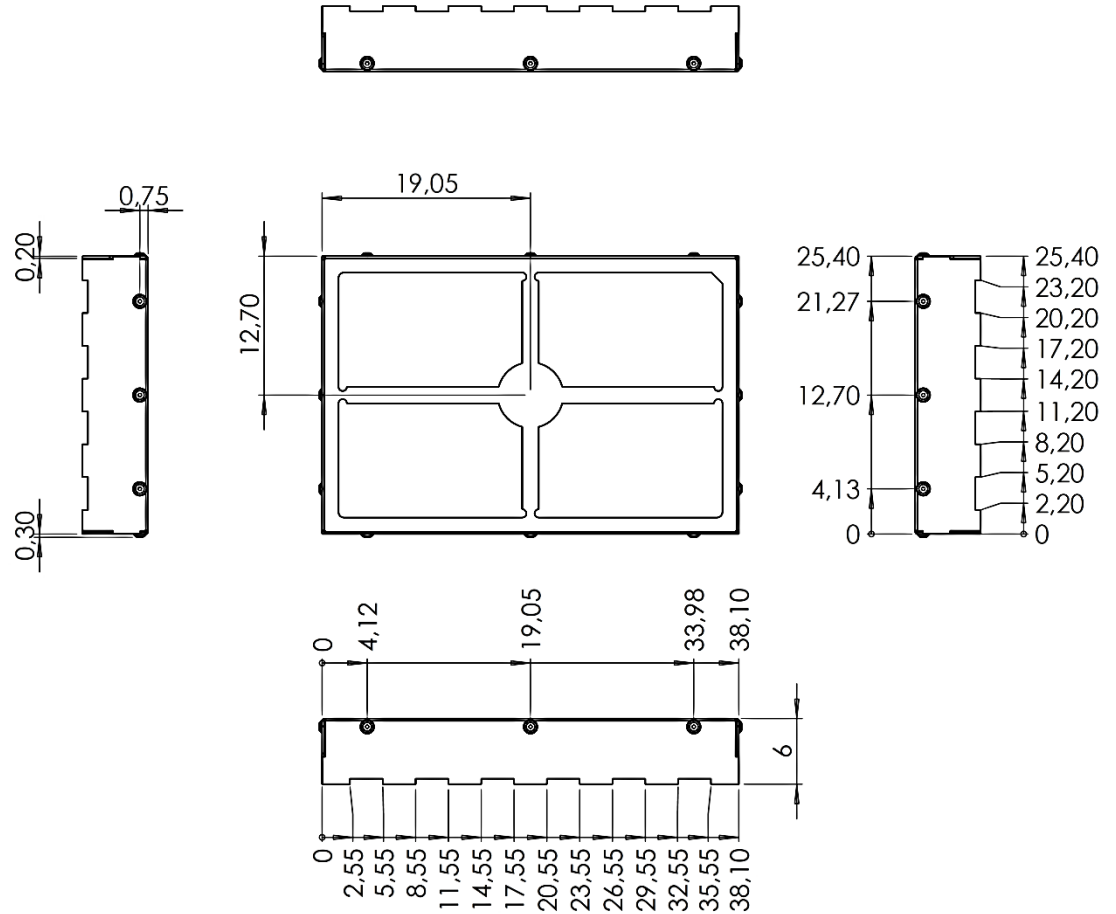
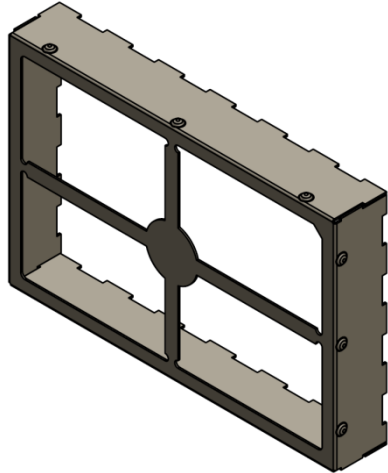
## TWO-PIECE SHIELDS

SGH-38,70x26,00x2,00x0,15-FS-C

SGH-38,10x25,40x6,00x0,20-FS-F

### FRAME

SGH-38,10x25,40x6,00x0,20-FS-F



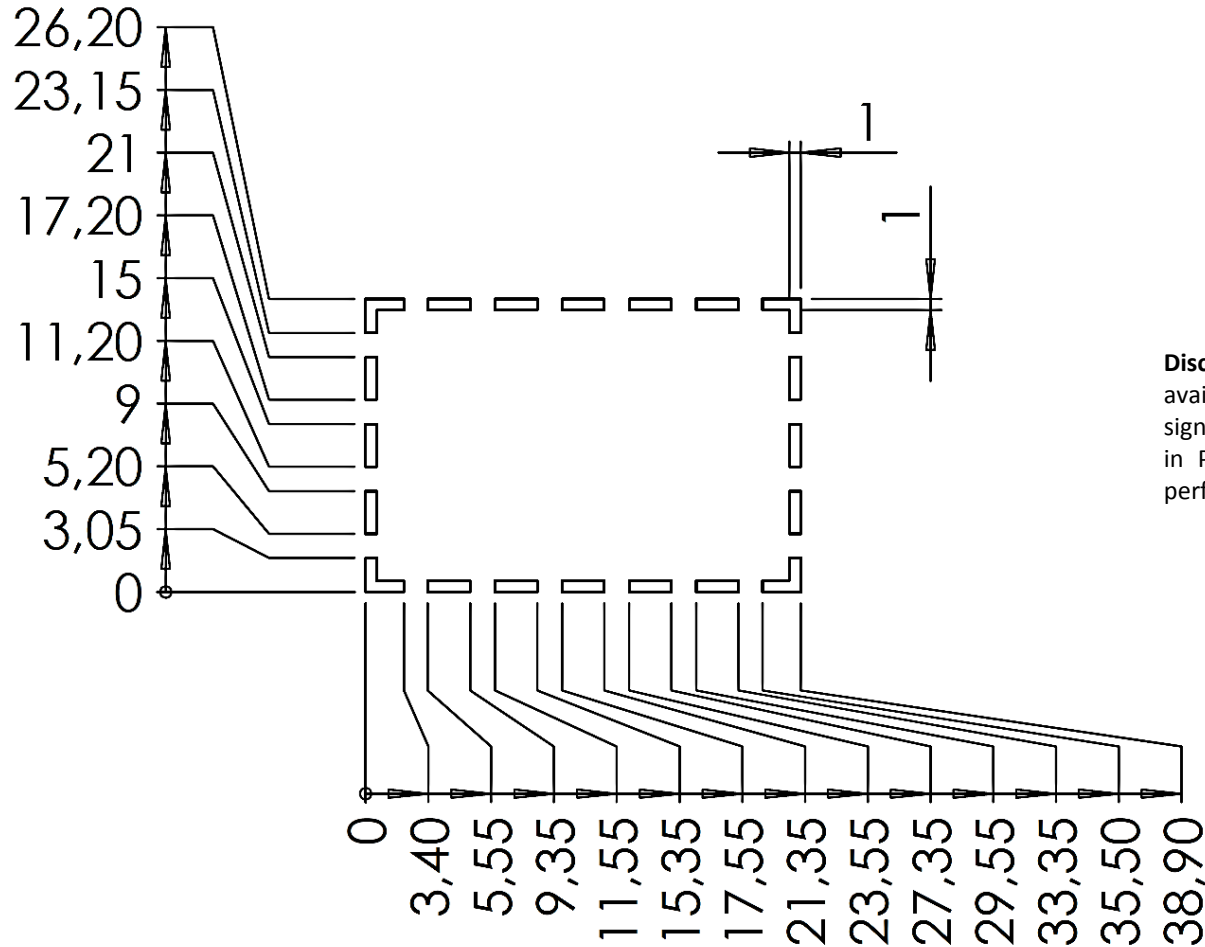
Property	Value	Tolerance
Thickness	0,20 mm	ISO 2768-mK
Length	38,10 mm	ISO 2768-mK
Width	25,40 mm	ISO 2768-mK
Height	6,00 mm	ISO 2768-mK
Material	SPTE	
Plating	Tin-plated	

## TWO-PIECE SHIELDS

SGH-38,70x26,00x2,00x0,15-FS-C

SGH-38,10x25,40x6,00x0,20-FS-F

### RECOMMENDED FOOTPRINT (mm)



**Disclaimer:** This is only a recommendation based on information available to **mtc** at the time of printing. Actual land pattern can be significantly different due to various materials and processes used in PCB assembly. **mtc** makes no representation or warranty of performance based on the recommended land pattern.

