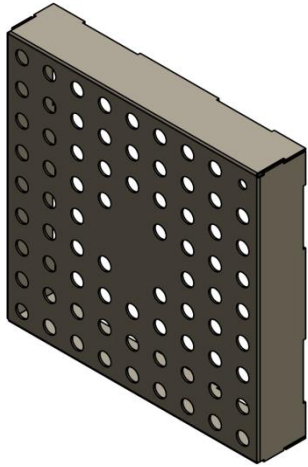


ONE-PIECE SHIELDS FOR SHIELDING CLIPS

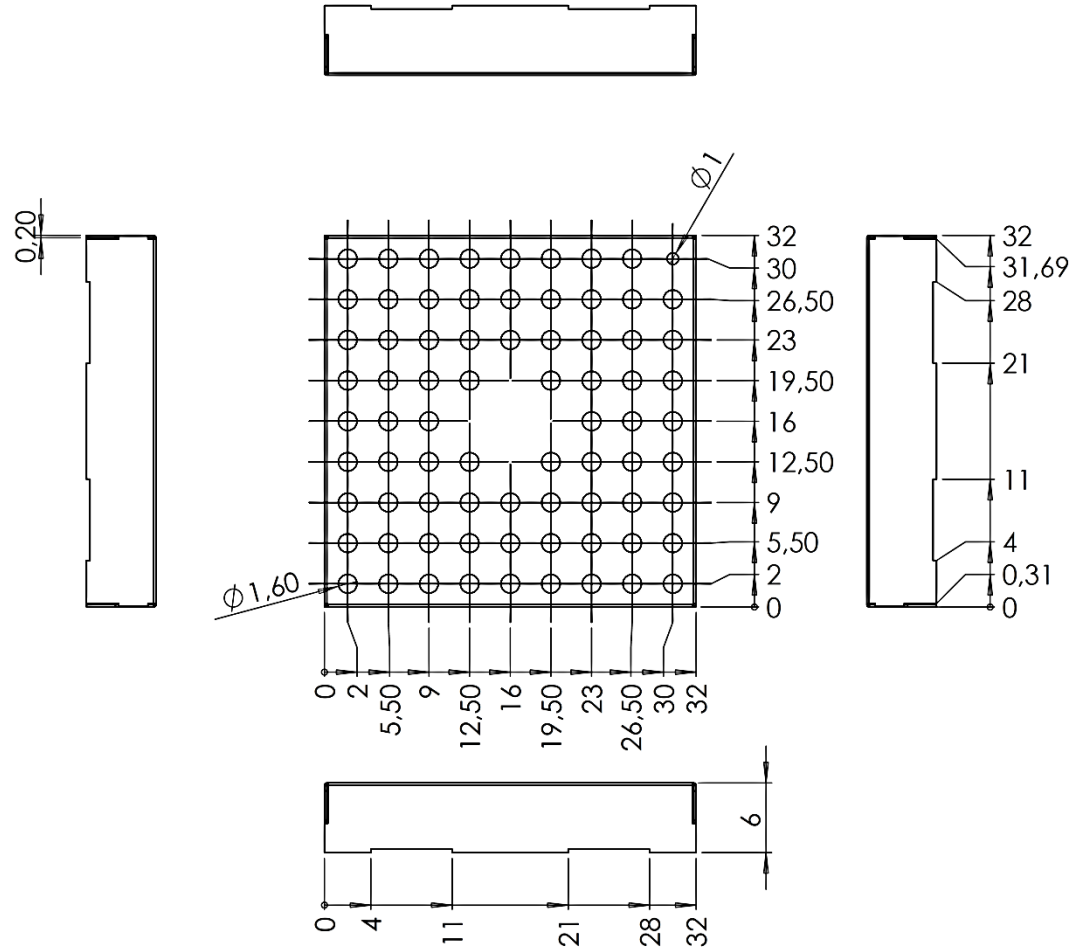
SGH-32,00x32,00x6,00x0,20-FS-SC

3D VIEW



Property	Value	Tolerance
Thickness	0,20 mm	ISO 2768-mK
Length	32,00 mm	ISO 2768-mK
Width	32,00 mm	ISO 2768-mK
Height	6,00 mm	ISO 2768-mK
Material	SPTE	
Plating	Tin-plated	

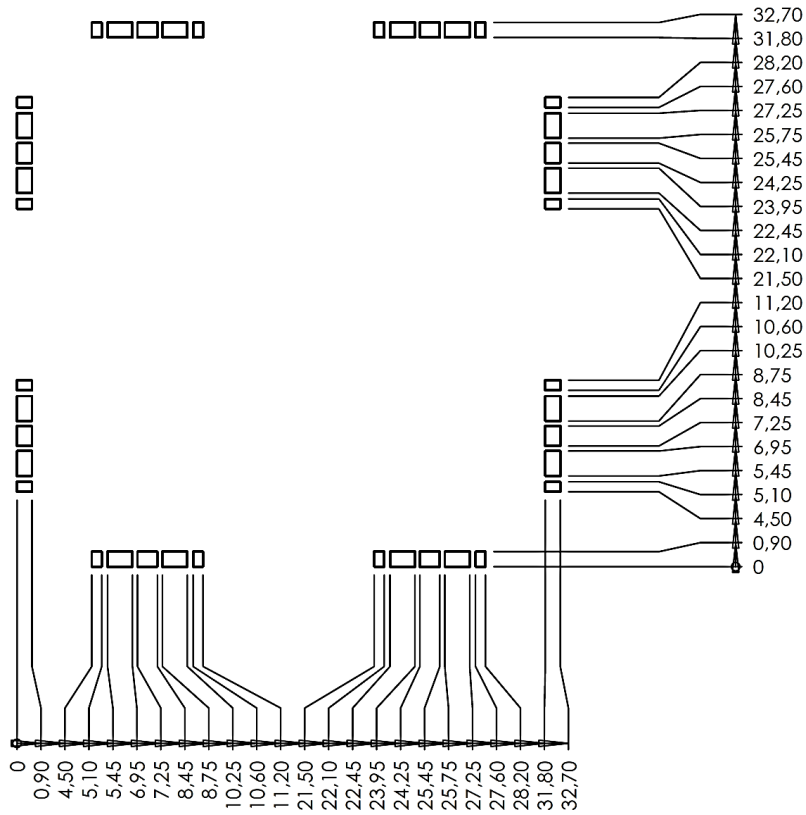
DIMENSIONS (mm)



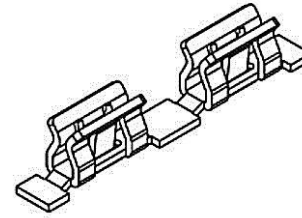
ONE-PIECE SHIELDS FOR SHIELDING CLIPS

SGH-32,00x32,00x6,00x0,20-FS-SC

RECOMMENDED FOOTPRINT (mm)



RECOMMENDED SHIELDING CLIP (8 pcs.)



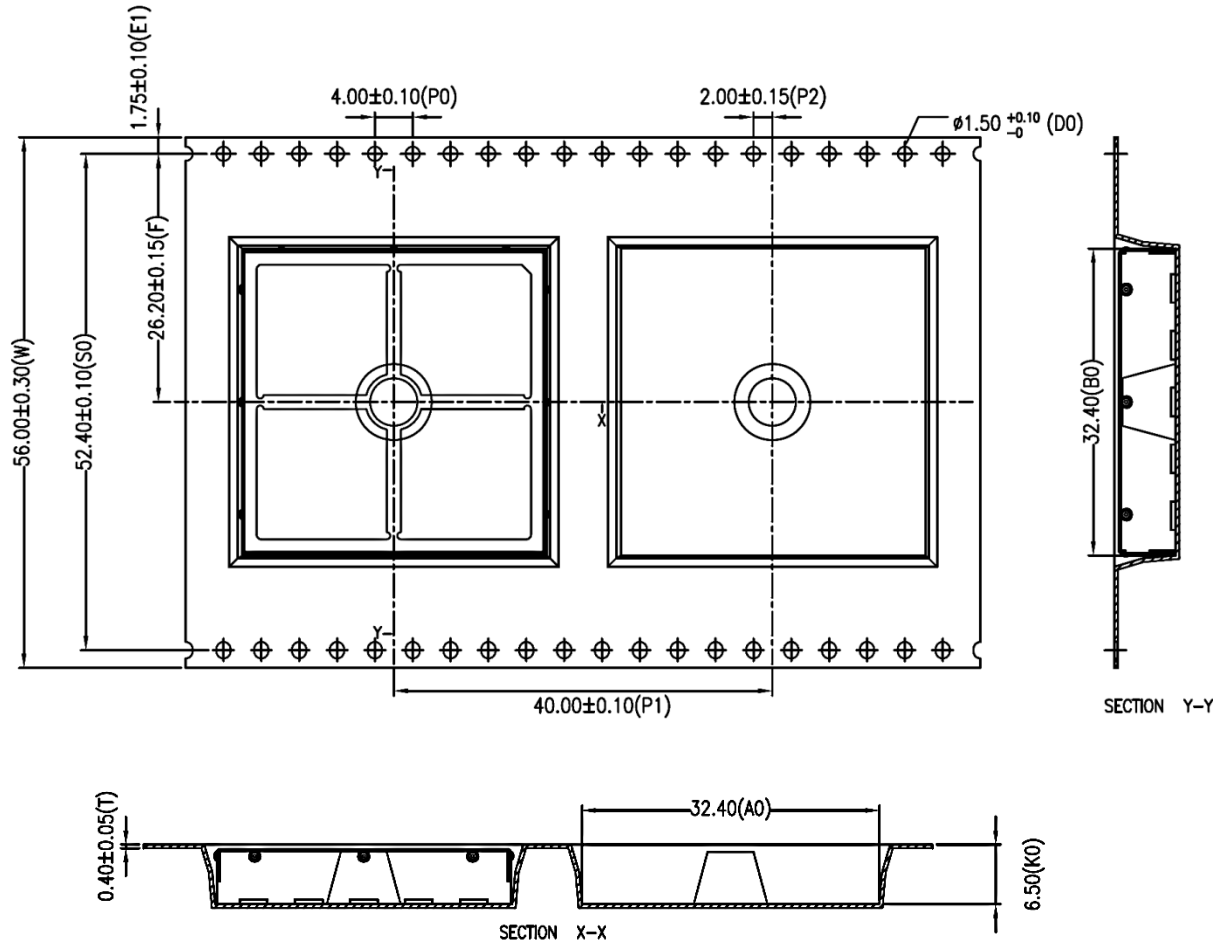
SC-6,50x0,80x1,27-TC-0,15

Disclaimer: This is only a recommendation based on information available to **mtc** at the time of printing. Actual land pattern can be significantly different due to various materials and processes used in PCB assembly. **mtc** makes no representation or warranty of performance based on the recommended land pattern.

ONE-PIECE SHIELDS FOR SHIELDING CLIPS

SGH-32,00x32,00x6,00x0,20-FS-SC

PACKING SPECIFICATION – TAPE AND REEL (mm)



- Part conforms to EIA-481-D standards.
- Material: conductive polystyrene
- Packing length for 22" reel: 33,0 meters (1:4).
- Component packing to 13" reel: 180 pcs.
- Dimension tolerances:
 - .X±0,20
 - .XX±0,10

	A ₀	B ₀	K ₀
	32,40	32,40	6,50
Tolerance	± 0,10	± 0,10	± 0,10