

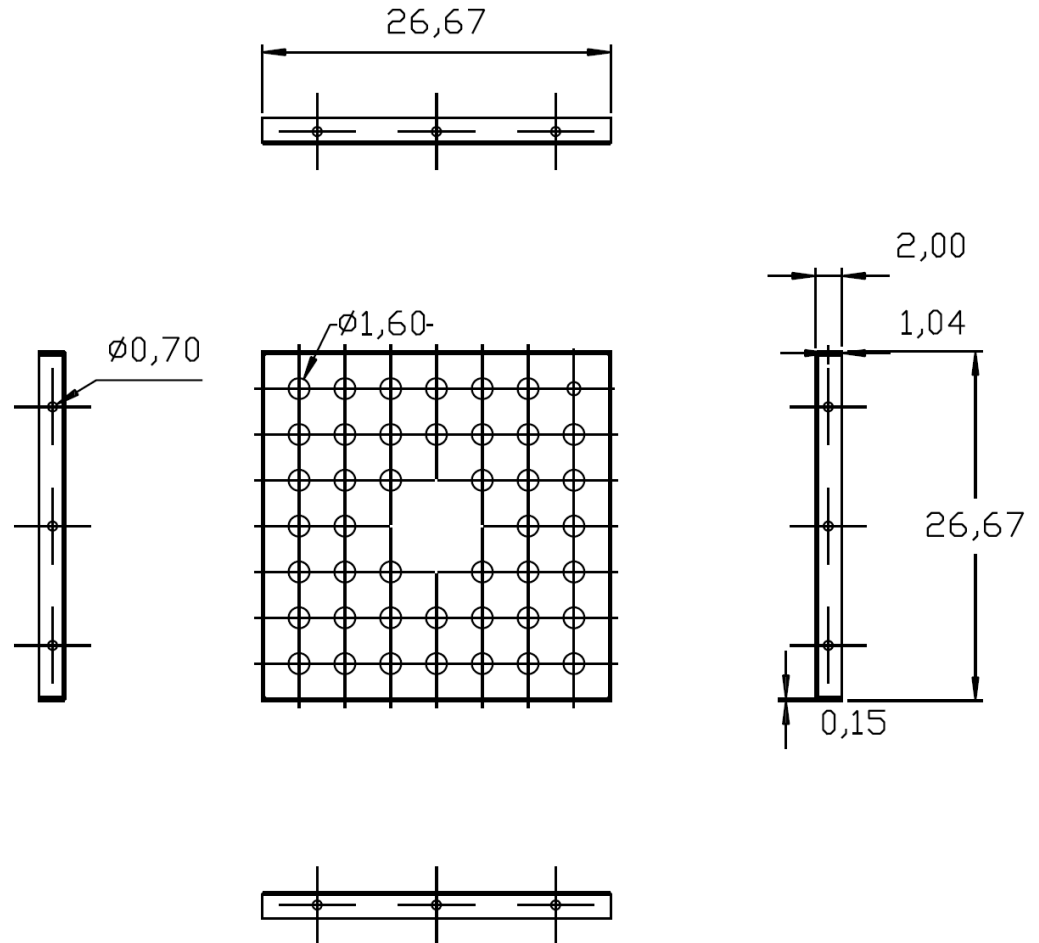
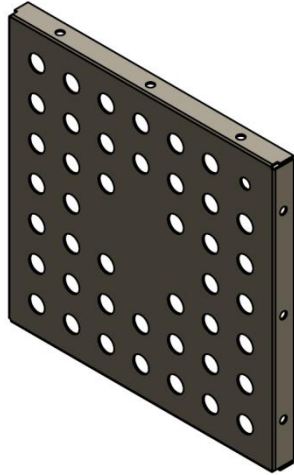
## TWO-PIECE SHIELDS

SGH-26,67x26,67x2,00x0,15-FS-C

SGH-26,21x26,21x5,08x0,20-FS-F

### COVER

SGH-26,67x26,67x2,00x0,15-FS-C



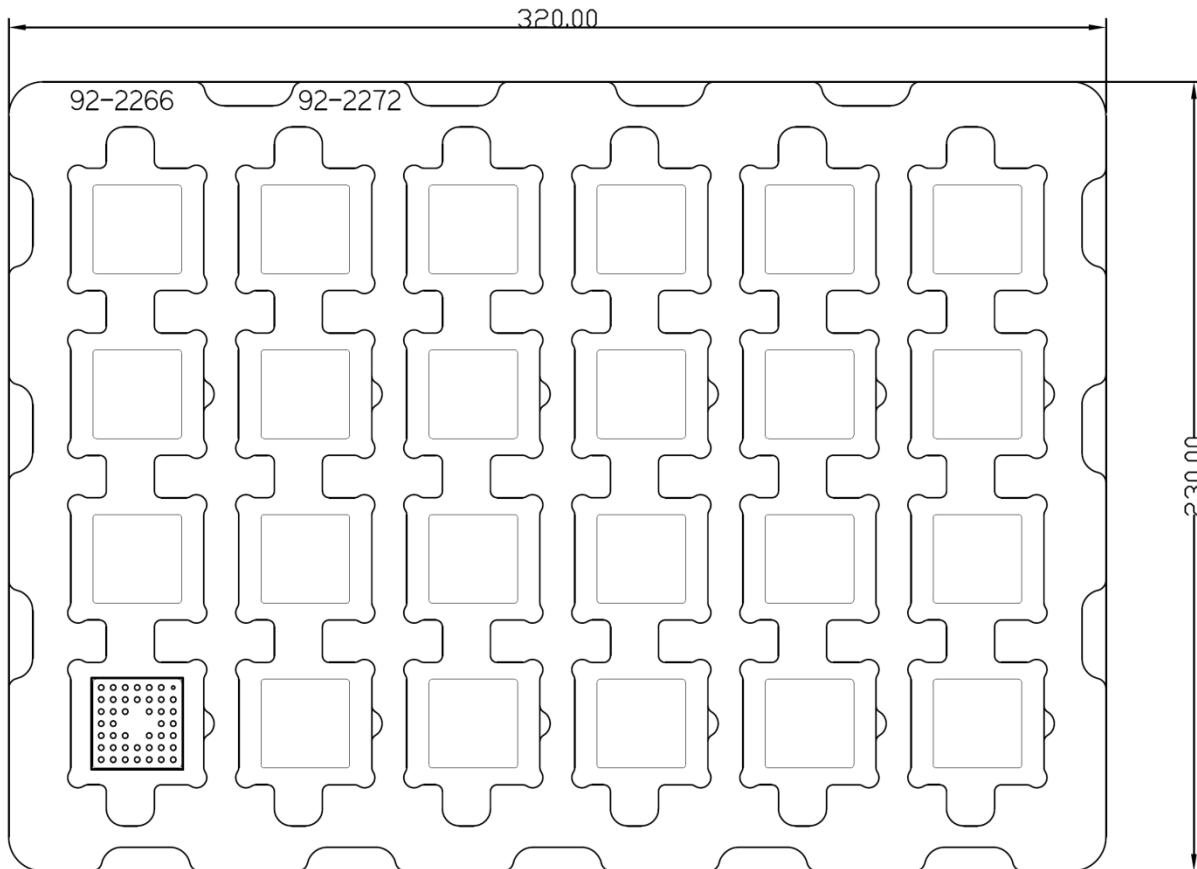
Property	Value	Tolerance
Thickness	0,15 mm	ISO 2768-mK
Length	26,67 mm	ISO 2768-mK
Width	26,67 mm	ISO 2768-mK
Height	2,00 mm	ISO 2768-mK
Material	SPTE	
Plating	Tin-plated	

# STANDARD BOARD LEVEL SHIELDS

SGH-26,67x26,67x2,00x0,15-FS-C

SGH-26,21x26,21x5,08x0,20-FS-F

## PACKING SPECIFICATION – TRAY (mm)



- Material: white PS
- Tolerances:  $\pm 0,30$  to  $\pm 0,50$  mm

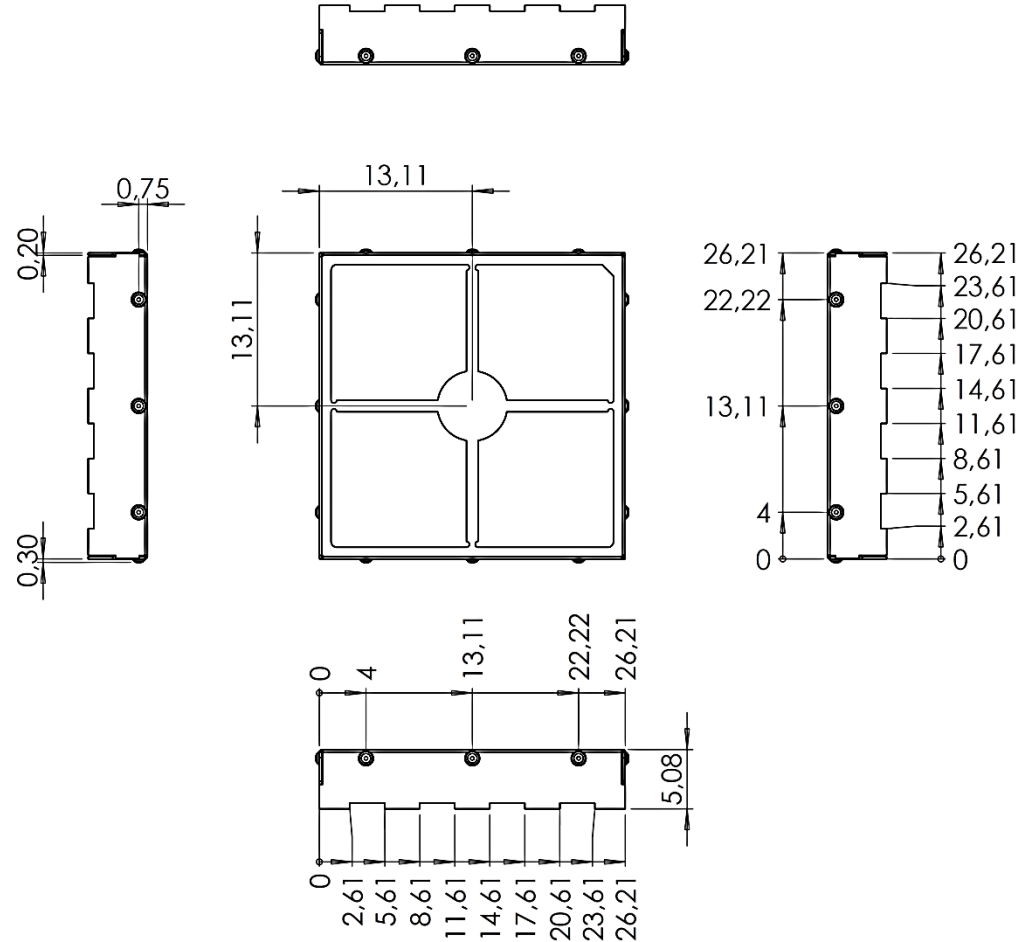
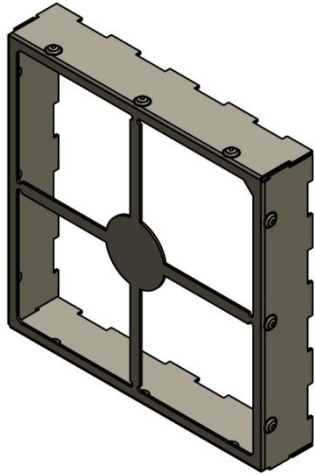
## TWO-PIECE SHIELDS

SGH-26,67x26,67x2,00x0,15-FS-C

SGH-26,21x26,21x5,08x0,20-FS-F

### FRAME

SGH-26,21x26,21x5,08x0,20-FS-F



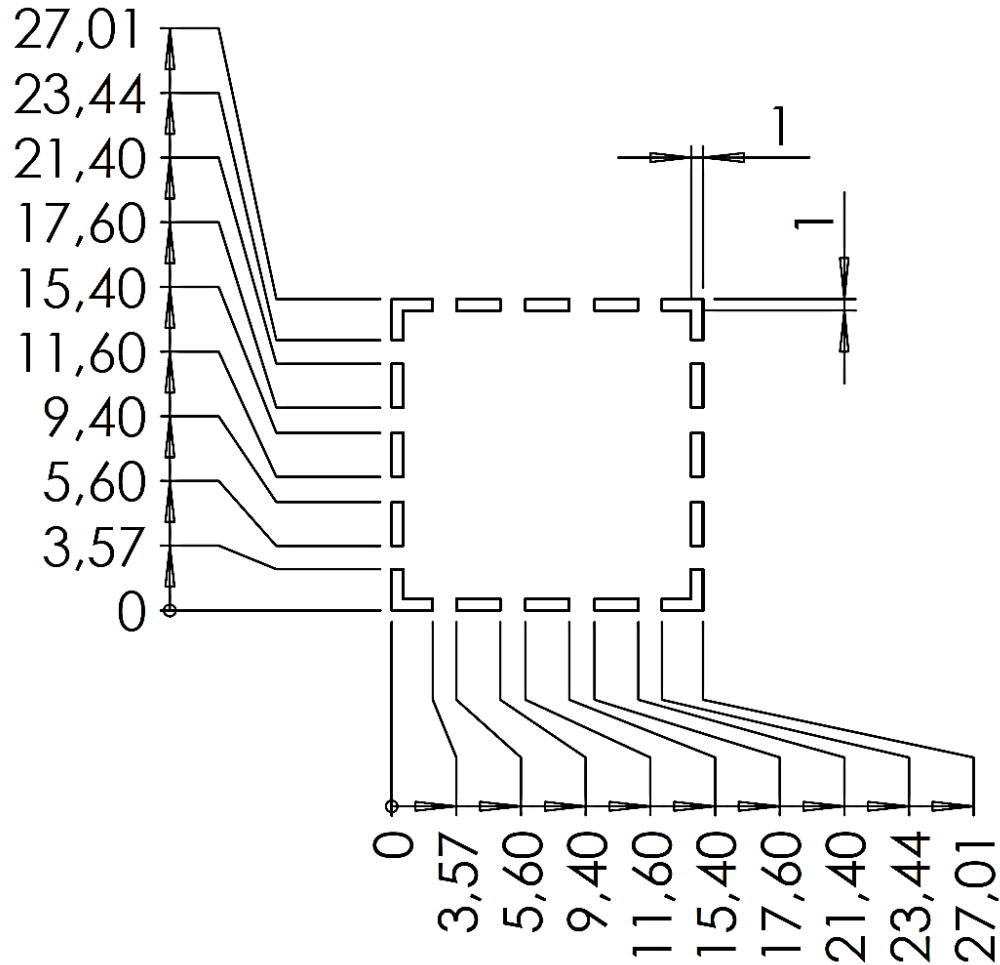
Property	Value	Tolerance
Thickness	0,20 mm	ISO 2768-mK
Length	26,21 mm	ISO 2768-mK
Width	26,21 mm	ISO 2768-mK
Height	5,08 mm	ISO 2768-mK
Material	SPTE	
Plating	Tin-plated	

## TWO-PIECE SHIELDS

SGH-26,67x26,67x2,00x0,15-FS-C

SGH-26,21x26,21x5,08x0,20-FS-F

### RECOMMENDED FOOTPRINT (mm)



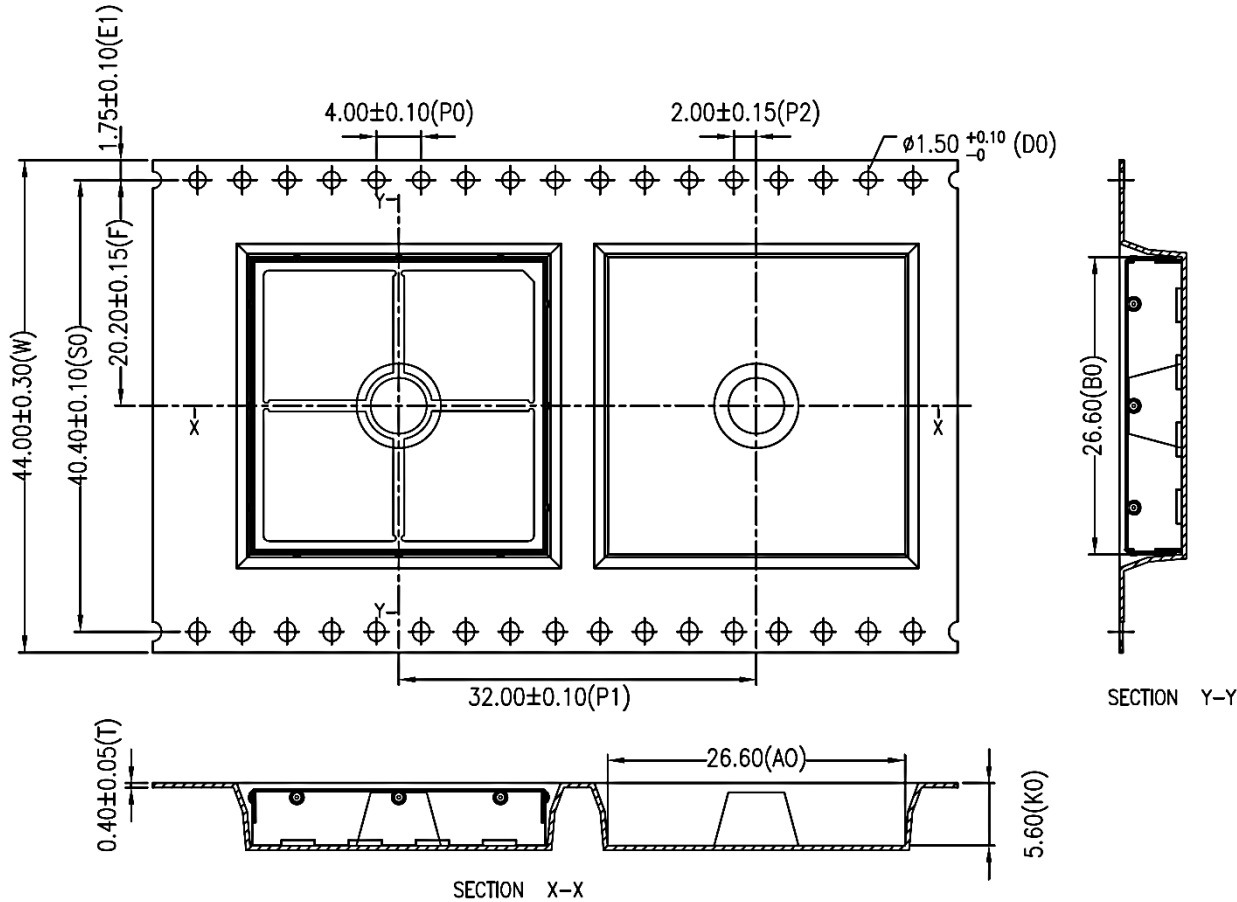
**Disclaimer:** This is only a recommendation based on information available to **mtc** at the time of printing. Actual land pattern can be significantly different due to various materials and processes used in PCB assembly. **mtc** makes no representation or warranty of performance based on the recommended land pattern.

# STANDARD BOARD LEVEL SHIELDS

SGH-26,67x26,67x2,00x0,15-FS-C

SGH-26,21x26,21x5,08x0,20-FS-F

## PACKING SPECIFICATION – TAPE AND REEL (mm)



- Part conforms to EIA-481-D standards.
- Material: conductive polystyrene
- Packing length for 22" reel: 36,0 meters (1:4).
- Component packing to 13" reel: 250 pcs.
- Dimension tolerances:
  - .X $\pm$ 0,20
  - .XX $\pm$ 0,10

	A <sub>0</sub>	B <sub>0</sub>	K <sub>0</sub>
	26,60	26,60	5,60
Tolerance	$\pm 0,10$	$\pm 0,10$	$\pm 0,10$