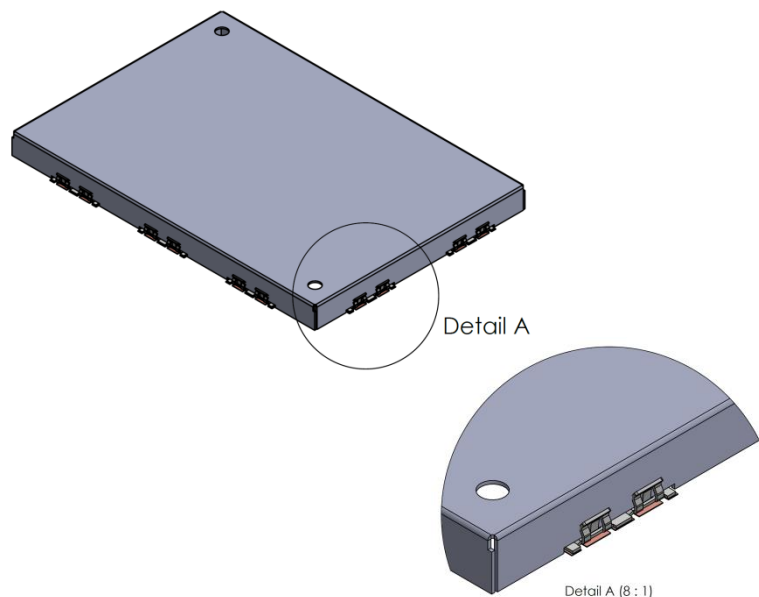


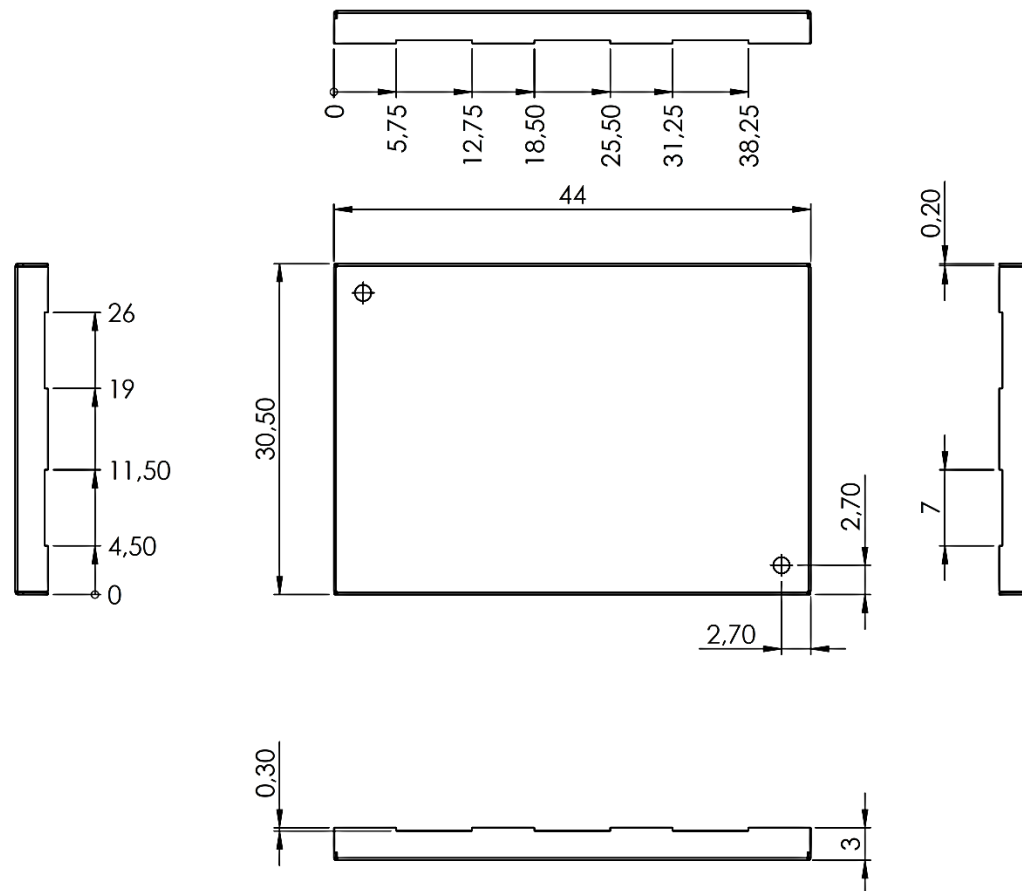
ONE-PIECE SHIELDS FOR SHIELDING CLIPS

SGH-44,00x30,50x3,00x0,20-FS-SC

3D VIEW



DIMENSIONS (mm)

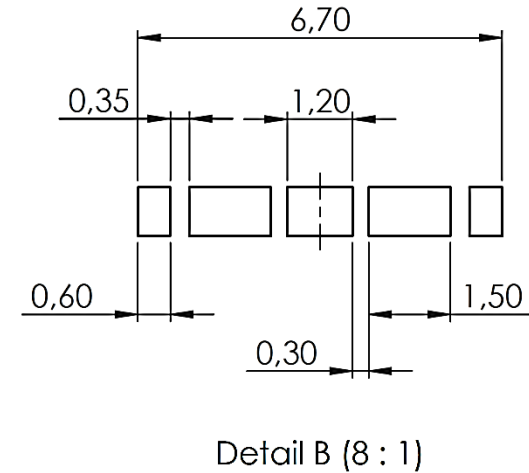
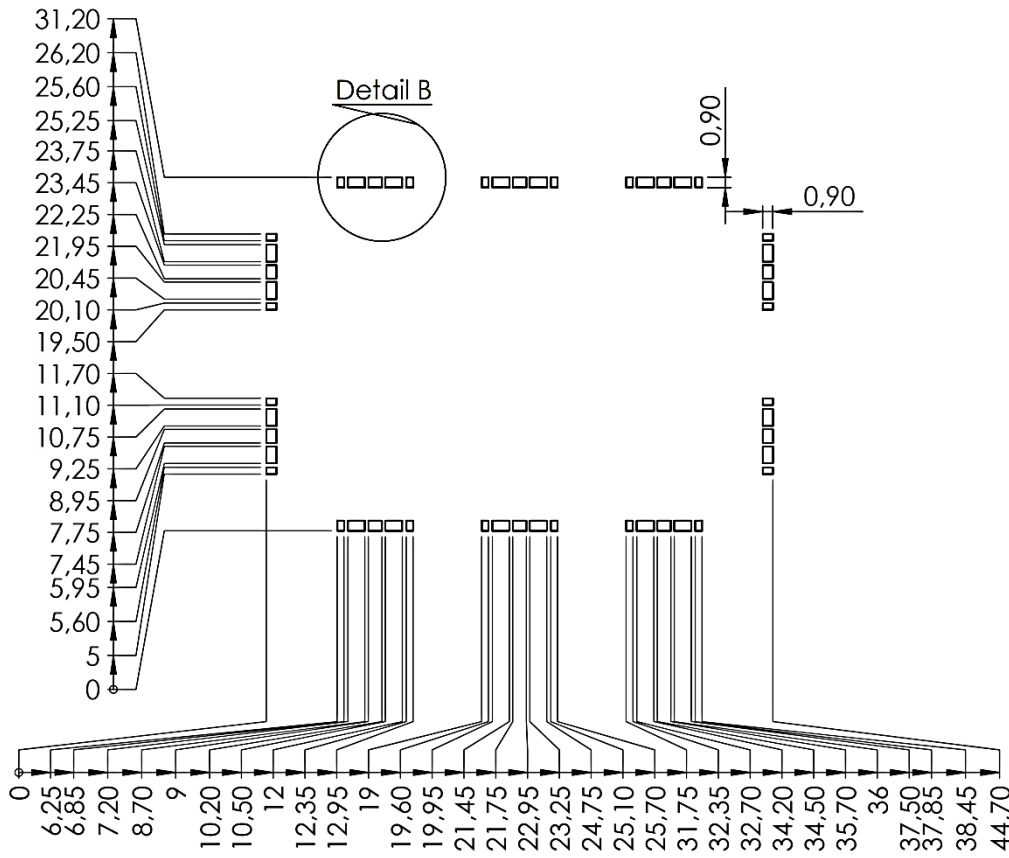


Property	Value	Tolerance
Thickness	0,20 mm	ISO 2768-mK
Length	44,00 mm	ISO 2768-mK
Width	30,50 mm	ISO 2768-mK
Height	3,00 mm	ISO 2768-mK
Material	SPTe	
Plating	Tin-plated	

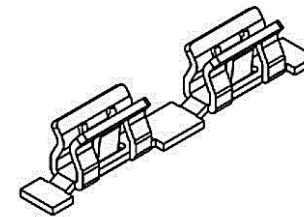
ONE-PIECE SHIELDS FOR SHIELDING CLIPS

SGH-44,00x30,50x3,00x0,20-FS-SC

RECOMMENDED FOOTPRINT (mm)



RECOMMENDED SHIELDING CLIP



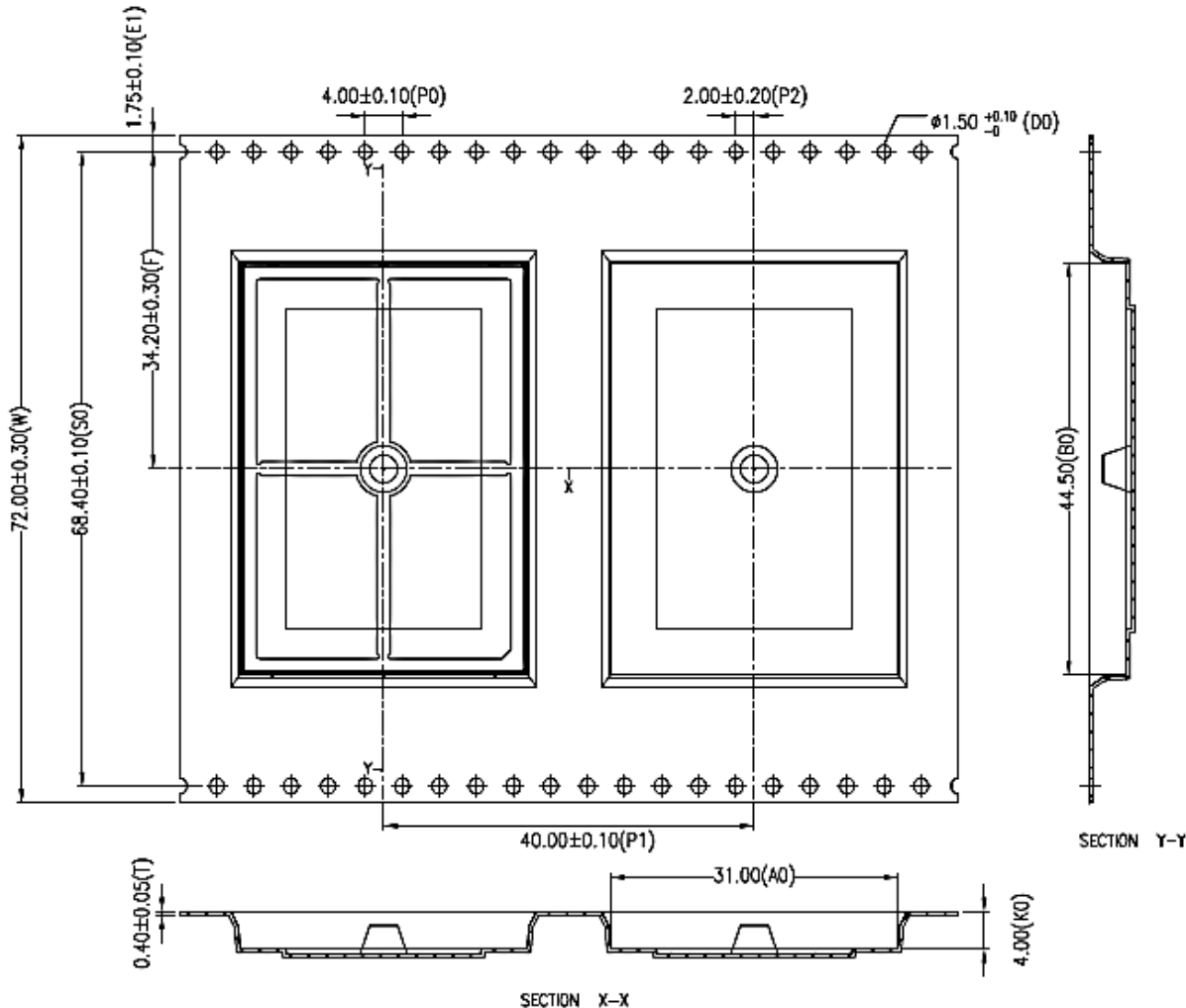
SC-6,50x0,80x1,27-TC-0,15

Disclaimer: This is only a recommendation based on information available to **mtc** at the time of printing. Actual land pattern can be significantly different due to various materials and processes used in PCB assembly. **mtc** makes no representation or warranty of performance based on the recommended land pattern.

ONE-PIECE SHIELDS

SGH-44,00x30,50x3,00x0,20-FS-OP

PACKING SPECIFICATION – TAPE AND REEL (mm)



- Part conforms to EIA-481-D standards.
- Material: conductive polystyrene
- Packing length for 22" reel: 43,0 meters (1:4).
- Component packing to 13" reel: 250 pcs.
- Dimension tolerances:
 - .X \pm 0,20
 - .XX \pm 0,10

	A ₀	B ₀	K ₀
	31,00	44,50	4,00
Tolerance	+ 0,20 - 0,10	+ 0,20 - 0,10	+ 0,20 - 0,10