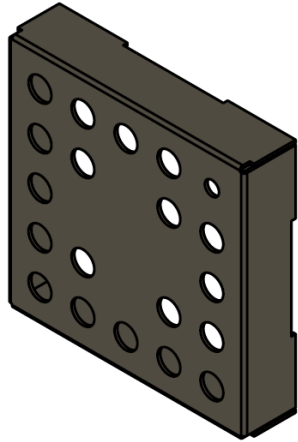


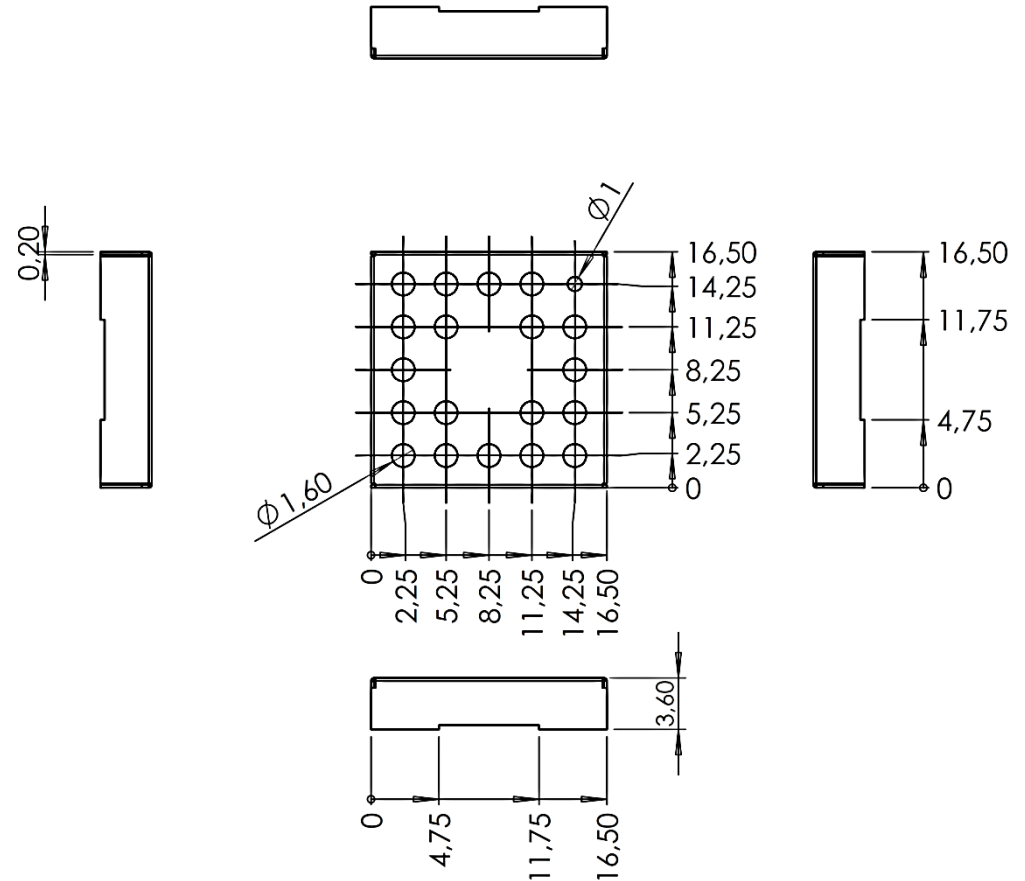
# ONE-PIECE SHIELDS FOR SHIELDING CLIPS

SGH-16,50x16,50x3,60x0,20-FS-SC

## 3D VIEW



## DIMENSIONS (mm)

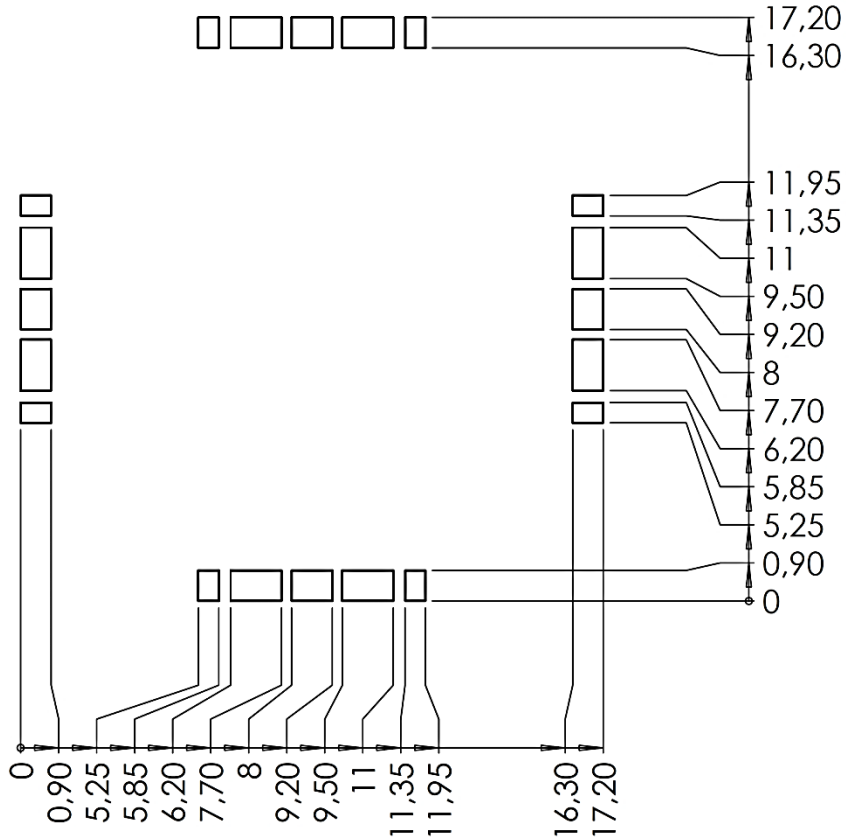


Property	Value	Tolerance
Thickness	0,20 mm	ISO 2768-mK
Length	16,50 mm	ISO 2768-mK
Width	16,50 mm	ISO 2768-mK
Height	3,60 mm	ISO 2768-mK
Material	SPTe	
Plating	Tin-plated	

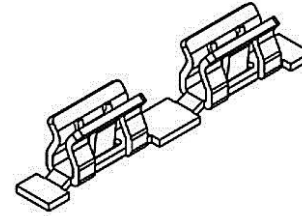
# ONE-PIECE SHIELDS FOR SHIELDING CLIPS

SGH-16,50x16,50x3,60x0,20-FS-SC

## RECOMMENDED FOOTPRINT (mm)



## RECOMMENDED SHIELDING CLIP



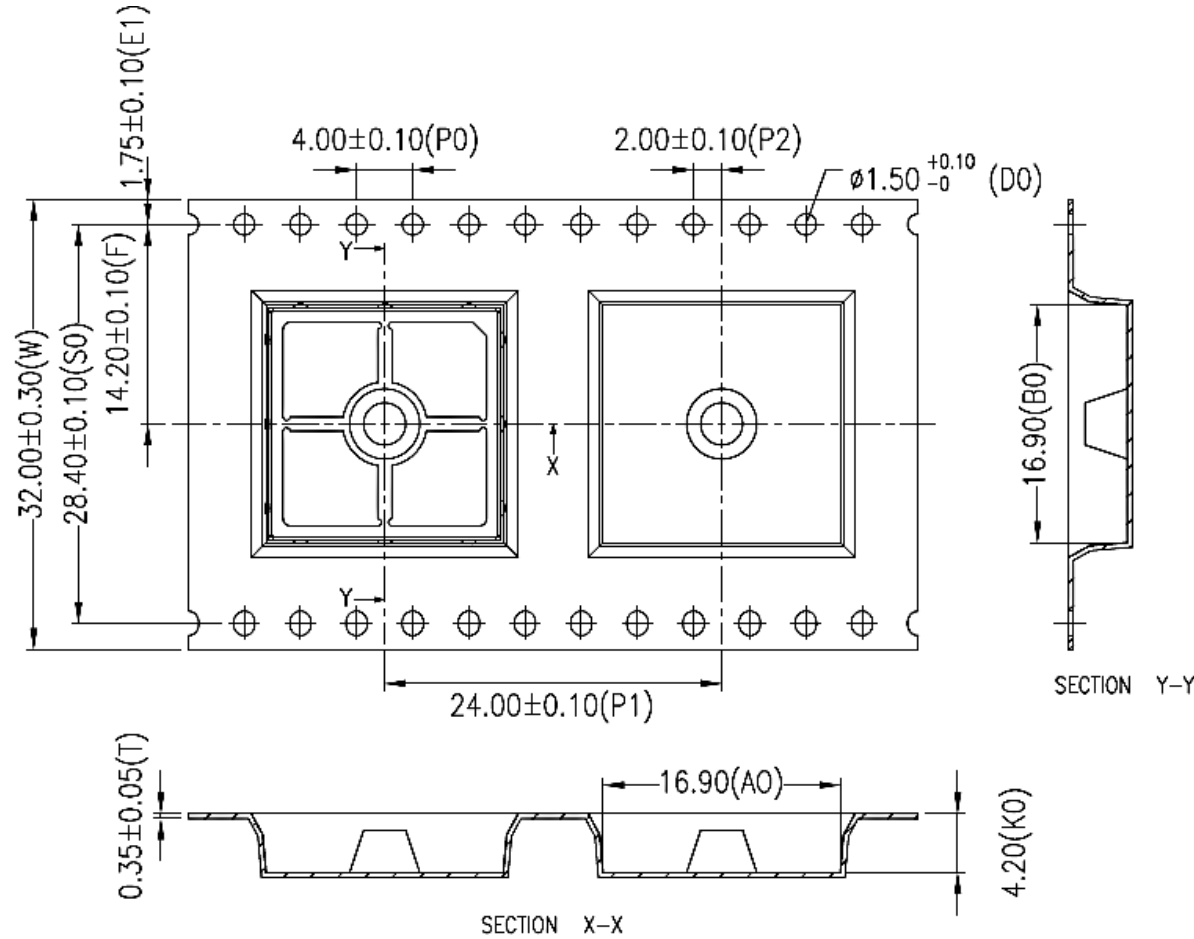
SC-6,50x0,80x1,27-TC-0,15

**Disclaimer:** This is only a recommendation based on information available to **mtc** at the time of printing. Actual land pattern can be significantly different due to various materials and processes used in PCB assembly. **mtc** makes no representation or warranty of performance based on the recommended land pattern.

# ONE-PIECE SHIELDS FOR SHIELDING CLIPS

SGH-16,50x16,50x3,60x0,20-FS-SC

## PACKING SPECIFICATION – TAPE AND REEL (mm)



- Part conforms to EIA-481-D standards.
- Material: conductive polystyrene
- Packing length for 22" reel: 47,0 meters (1:3).
- Component packing to 13" reel: 600 pcs.
- Dimension tolerances:
  - .X±0,20
  - .XX±0,10

	A <sub>0</sub>	B <sub>0</sub>	K <sub>0</sub>
	16,90	16,90	4,20
Tolerance	± 0,10	± 0,10	± 0,10