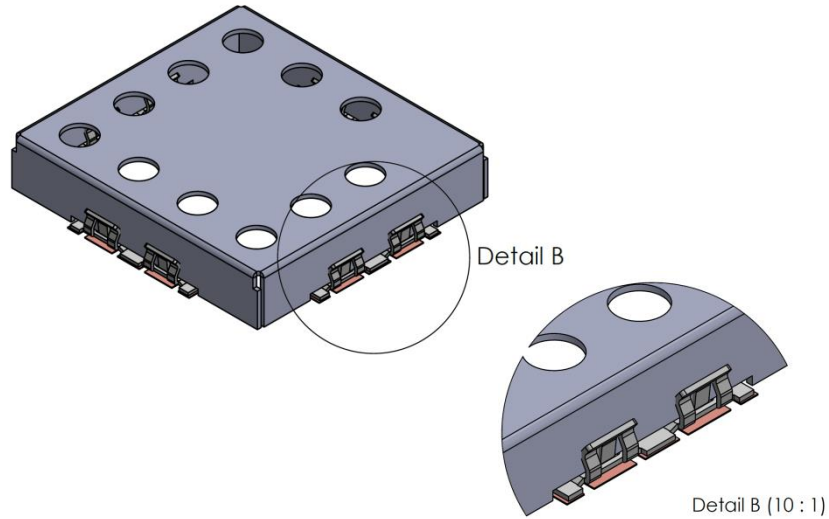


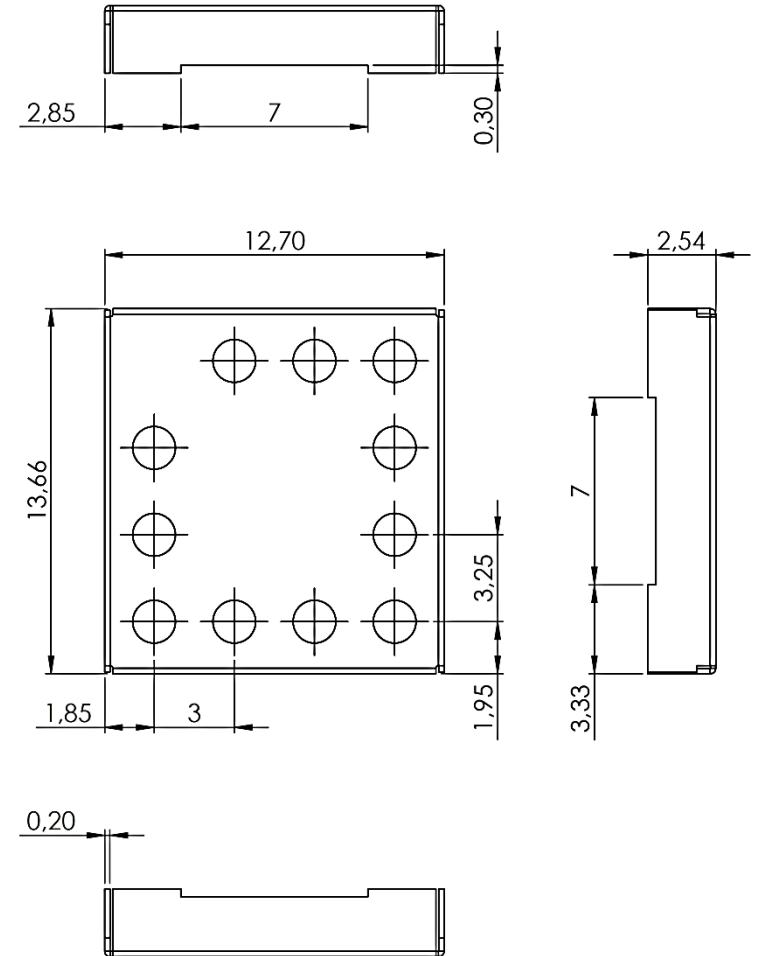
# ONE-PIECE SHIELDS FOR SHIELDING CLIPS

SGH-13,66x12,70x2,54x0,20-FS-SC

## 3D VIEW



## DIMENSIONS (mm)

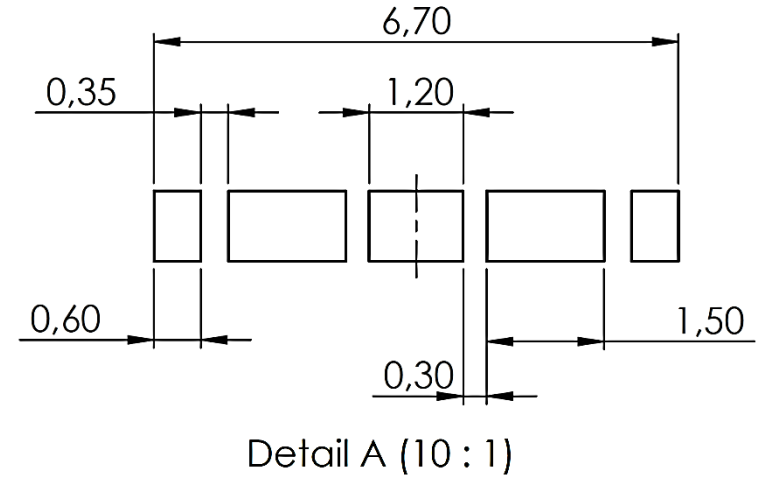
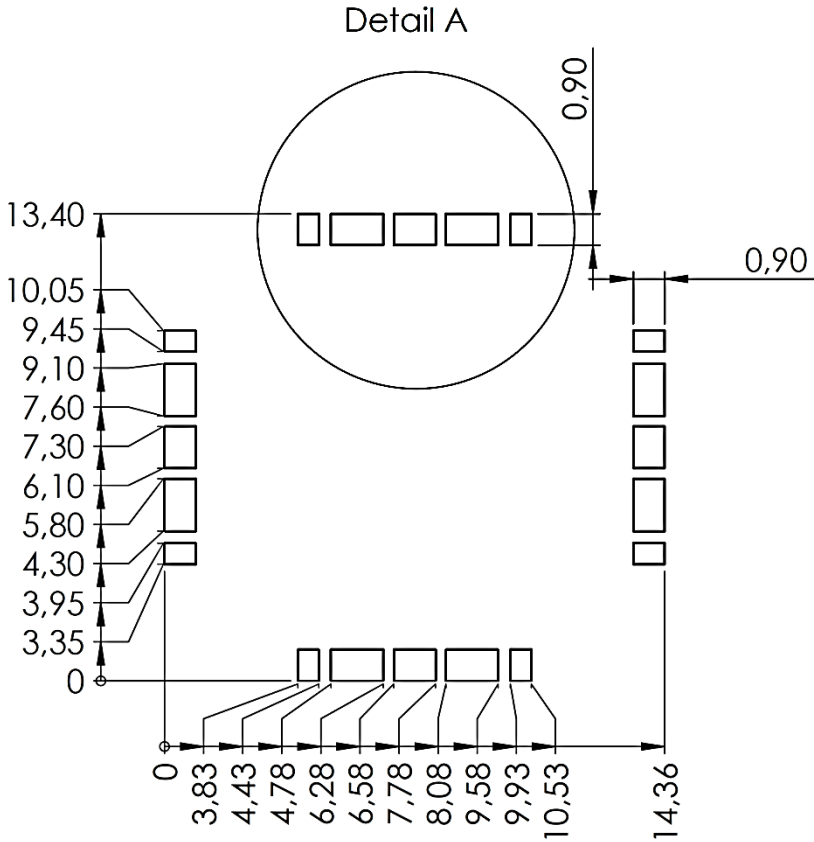


Property	Value	Tolerance
Thickness	0,20 mm	ISO 2768-mK
Length	13,66 mm	ISO 2768-mK
Width	12,70 mm	ISO 2768-mK
Height	2,54 mm	ISO 2768-mK
Material	SPTE	
Plating	Tin-plated	

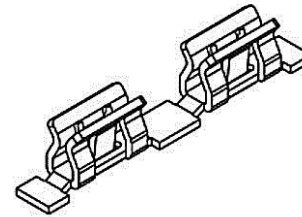
# ONE-PIECE SHIELDS FOR SHIELDING CLIPS

SGH-13,66x12,70x2,54x0,20-FS-SC

## RECOMMENDED FOOTPRINT (mm)



## RECOMMENDED SHIELDING CLIP

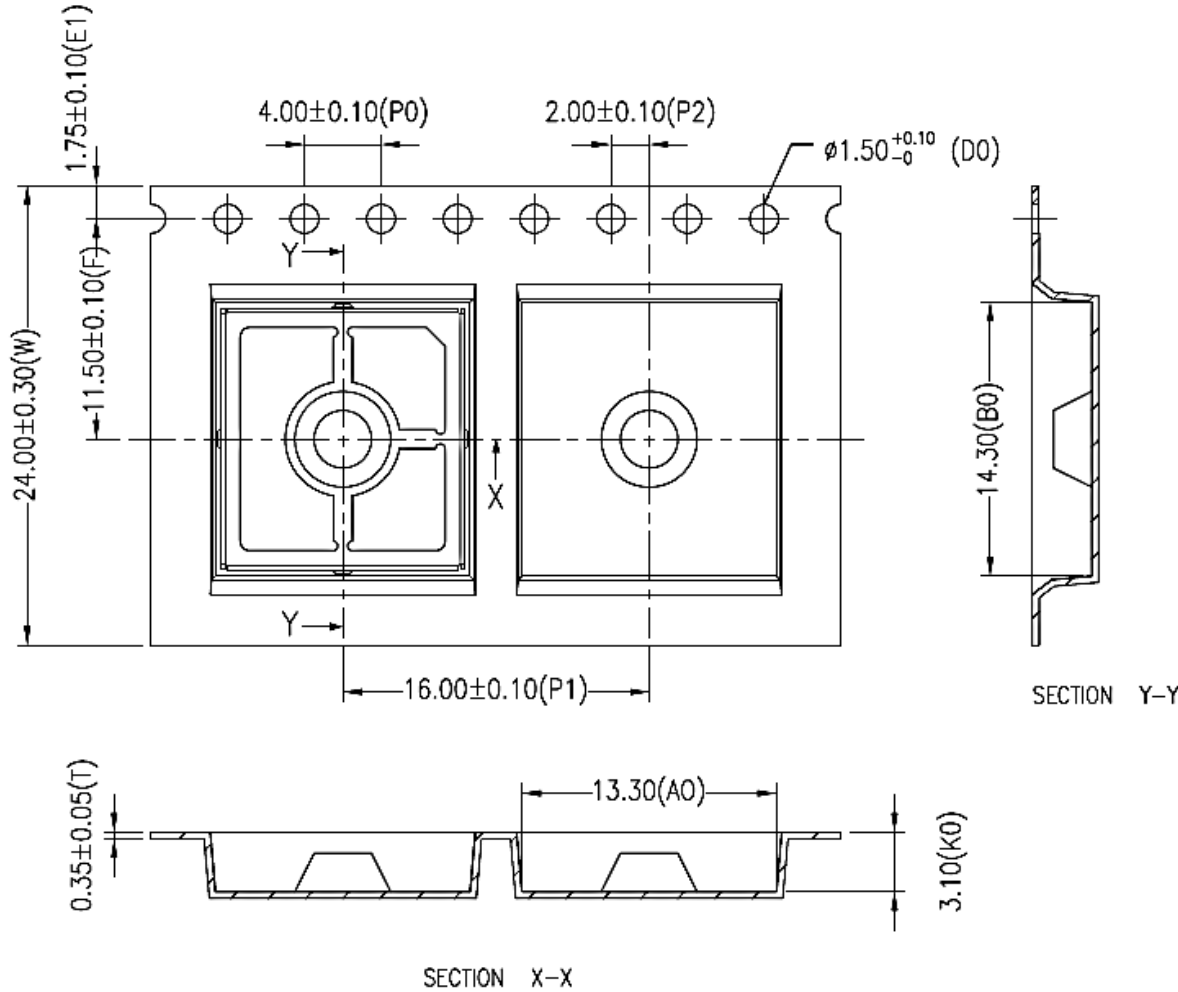


SC-6,50x0,80x1,27-TC-0,15

# ONE-PIECE SHIELDS FOR SHIELDING CLIPS

SGH-13,66x12,70x2,54x0,20-FS-SC

## PACKING SPECIFICATION – TAPE AND REEL (mm)



- Part conforms to EIA-481-D standards.
- Material: conductive polystyrene
- Packing length for 22" reel: 60,5 meters (1:3).
- Component packing to 13" reel: 1.200 pcs.
- Dimension tolerances:
  - .X±0,20
  - .XX±0,10

	A <sub>0</sub>	B <sub>0</sub>	K <sub>0</sub>
	13,30	14,30	3,10
Tolerance	± 0,10	± 0,10	± 0,10