



mtc's conductive foam gaskets are available in a wide range of standard dimensions – either as thin sheet material or as customized stampings for I/O shielding.

The conductive foam is available in thicknesses up to 1,5 mm and is supplied with a copper-nickel metal coating.

Conductive foam gaskets have excellent EMC properties as a result of the small distance between the holes.



Features

Standard thicknesses from 0,3 to 1,5 mm

CuNi metallized

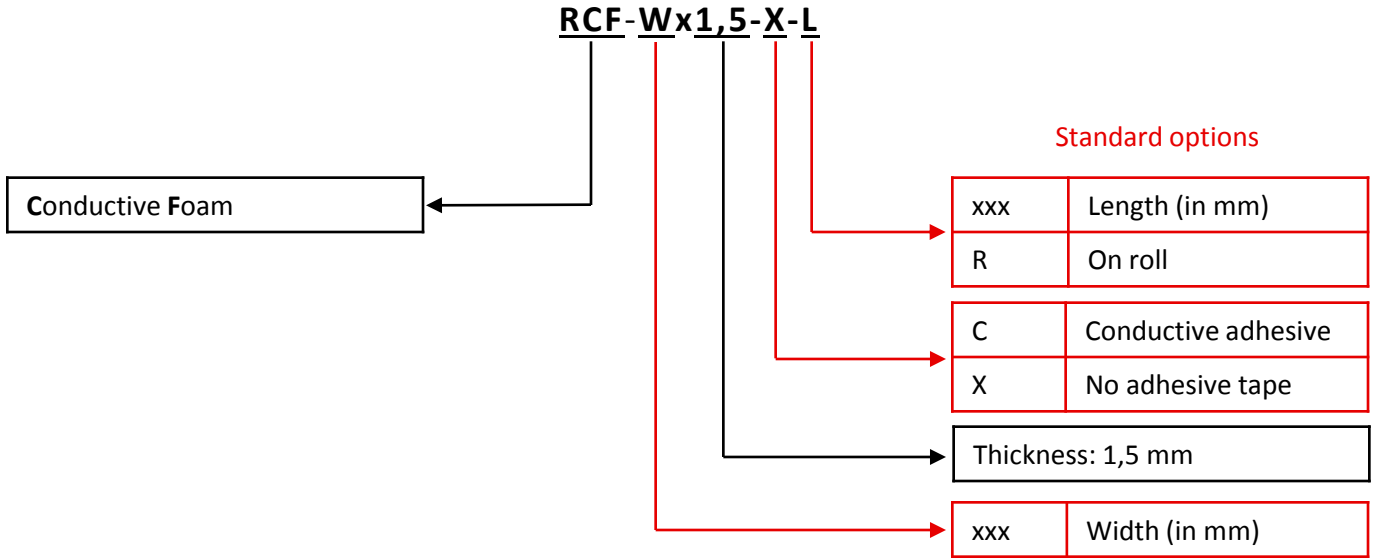
Available with conductive tape

Punched parts available

Excellent shielding effectiveness

Property		Value	Unit	Tolerance	Test method
Basic material		Polyolefin foam	-	-	-
Plating		CuNi	-	-	-
Standard width		Max. 1.000	mm	± 20	-
Thickness		1,5	mm	± 0,1	-
Standard length		10	m/roll	-	-
Shielding effectiveness		>60	dB @ 100 MHz – 18 GHz	-	ASTM 4935
Surface resistance		<0,1	Ω/□	-	10cm ² /MIL G 83528
Volume resistance		<0,1	Ω*cm	-	10cm ² /kg pressure
Tensile strength	L	65	N/50mm	-	KS M 3014-96
	W	53			
Elongation	L	81	%	-	KS M 3014-96
	W	84			
Temperature range		-10 – 85	°C	-	-
Recommended compression rate		15 – 30	%	-	-
Colour		Grey	-	-	-

BUILDING AN ITEM NUMBER



Example: RCF-1.000x1,5-X-R

Conductive foam; width: 1.000 mm; thickness: 1,5 mm; without adhesive tape; on roll

SHIELDING EFFECTIVENESS

