



*mtc*'s conductive foam gaskets are available in a wide range of standard dimensions – either as thin sheet material or as customized stampings for I/O shielding.

The conductive foam is available in thicknesses up to 1,5 mm and is supplied with a copper-nickel metal coating.

Conductive foam gaskets have excellent EMC properties as a result of the small distance between the holes.



### Features

Standard thicknesses from 0,3 to 1,5 mm

CuNi metallized

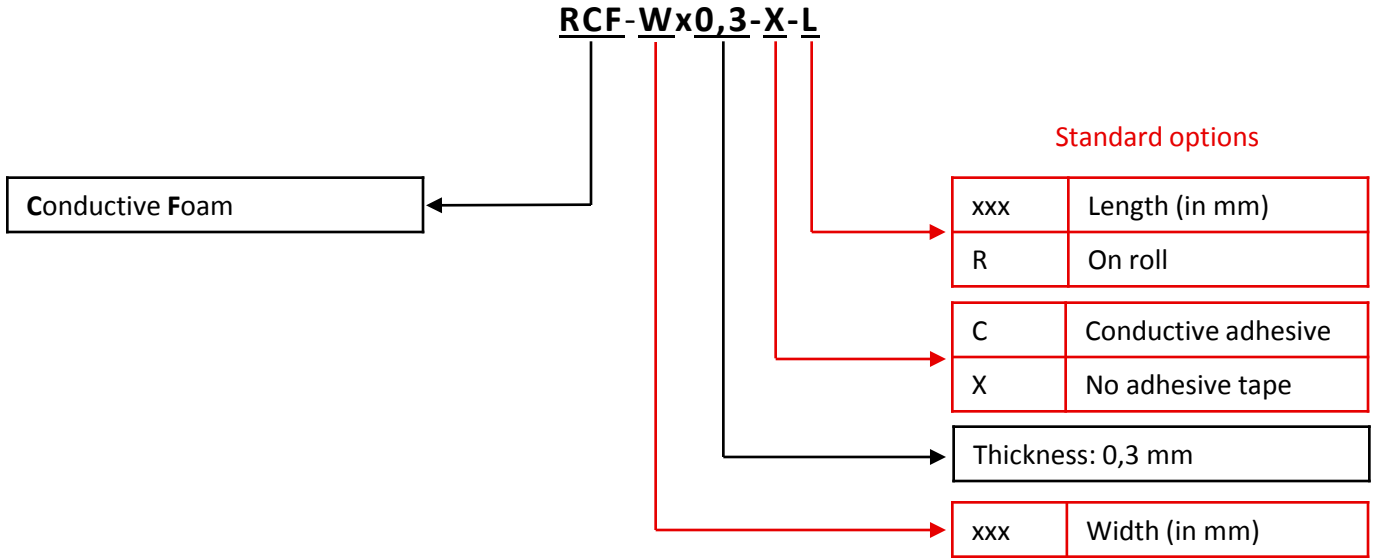
Available with conductive tape

Punched parts available

Excellent shielding effectiveness

Property		Value	Unit	Tolerance	Test method
Basic material		Polyolefin foam	-	-	-
Plating		CuNi	-	-	-
Standard width		Max. 1.000	mm	± 20	-
Thickness		0,3	mm	± 0,1	-
Standard length		10	m/roll	-	-
Shielding effectiveness		>60	dB @ 100 MHz – 18 GHz	-	ASTM 4935
Surface resistance		<0,1	Ω/□	-	10cm <sup>2</sup> /MIL G 83528
Volume resistance		<0,1	Ω*cm	-	10cm <sup>2</sup> /kg pressure
Tensile strength	L	27	N/50mm	-	KS M 3014-96
	W	19			
Elongation	L	35,5	%	-	KS M 3014-96
	W	36,5			
Temperature range		-10 – 85	°C	-	-
Recommended compression rate		15 – 30	%	-	-
Colour		Grey	-	-	-

### BUILDING AN ITEM NUMBER



**Example:** RCF-1.000x0,3-X-R

Conductive foam; width: 1.000 mm; thickness: 0,3 mm; without adhesive tape; on roll

### SHIELDING EFFECTIVENESS

