

OAD1550-XY



Dual Axis AO Deflector- Preliminary

Off-Axis

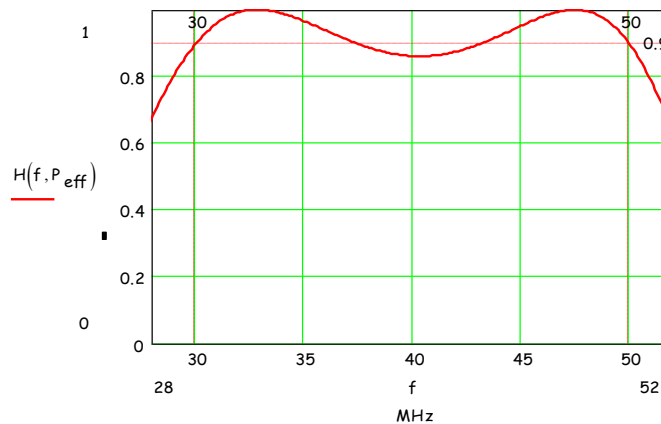
0310

The OAD1550-XY offers high throughput efficiency over a wide scan angle in the NIR range. This deflector has been designed for simplicity and consists of two AO deflector crystals mounted orthogonally in one case. There is no requirement for input or intervening optics between the crystals.

SPECIFICATIONS

Operating Wavelength:	1.55um
Interaction Material:	TeO ₂ (off-axis)
Acoustic Wave:	Shear
Acoustic Velocity:	689m/s
Center Frequency (f _c):	40MHz (+/- 10% for best scan)
RF Bandwidth:	20MHz
Scan Angle/Axis:	2.3°
Input Polarization (Required):	Linear, horizontal w.r.t. base
Output polarization:	Linear, horizontal w.r.t. base
Active Aperture:	7mm x 7mm
f _c Separation Angle/Axis:	5.2°
Max RF Power:	2.7W/axis (nominal)
Input impedance:	50 ohm
Access Time:	10usec
Resolution:	>200 x 200
Efficiency across scan	80% (typ'), > 60% per axis
Throughput efficiency	> 30% total

Relative Diffraction Response vs Frequency (per axis)



ALL SPECIFICATIONS SUBJECT TO CHANGE WITHOUT NOTICE

ISOMET CORP, 5263 Port Royal Rd, Springfield, VA 22151, USA.

Tel: (703) 321 8301 Fax: (703) 321 8546

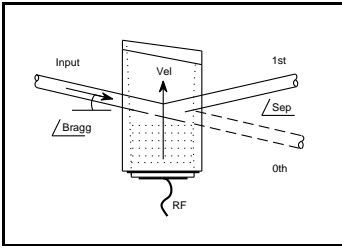
E-mail: ISOMET@ISOMET.COM Web Page: WWW.ISOMET.COM

Quality Assured.

In-house: Crystal Growth,

Optical Polishing,

A/R coating, Vacuum Bonding



OAD1550-XY



Dual Axis AO Deflector- Preliminary Off-Axis

0310

OUTLINE DRAWING

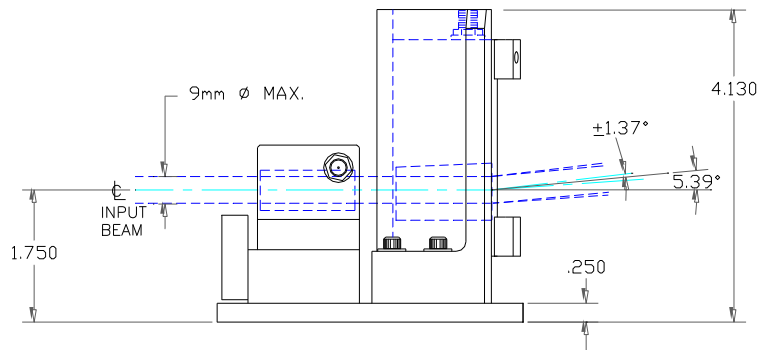
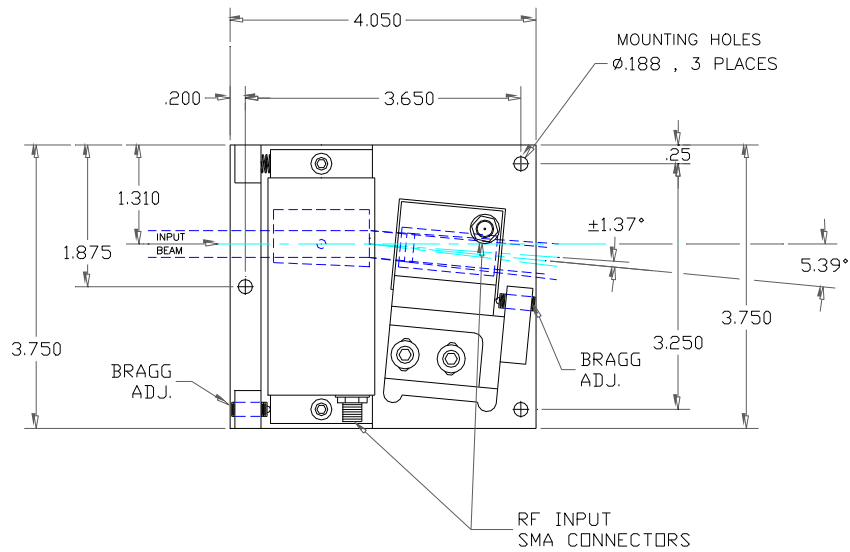


DIAGRAM for reference only. ANGLES not correct

Recommended Drive Electronics

iHSA-4 multi-output Frequency Synthesizer
or
2 x 620C/630C-80 Variable Frequency Driver

ALL SPECIFICATIONS SUBJECT TO CHANGE WITHOUT NOTICE

ISOMET CORP, 5263 Port Royal Rd, Springfield, VA 22151, USA.

Tel: (703) 321 8301 Fax: (703) 321 8546

E-mail: ISOMET@ISOMET.COM Web Page: WWW.ISOMET.COM

Quality Assured.

In-house: Crystal Growth,

Optical Polishing,

A/R coating, Vacuum Bonding