

1250-BS-926

NIR Acousto-Optic Deflector



0913

The Model 1250-BS-926 is a high speed deflector for sequential multi-beam or faster scan operation. The unit incorporates four section acoustic beam steering to produce a flat scan response. The 1250-BS-926 may be operated with up to nine watts CW optical power at 1.064 or 1.1 μ m.

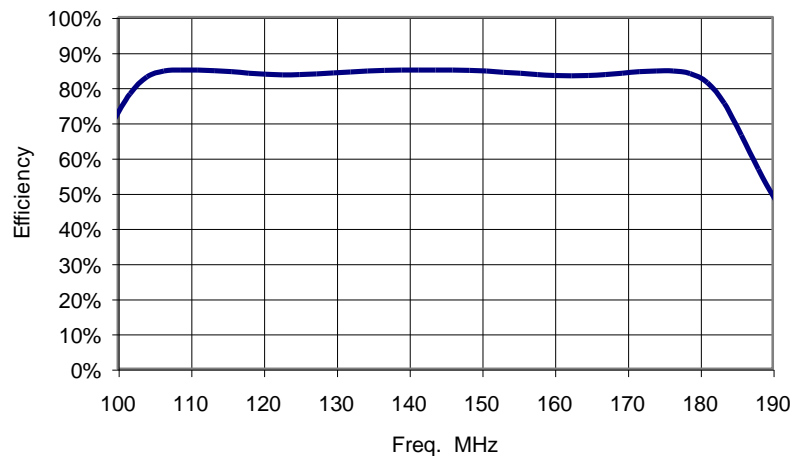
FEATURES

- Flat Scan Response
- 9 Watts Optical Input
- High Speed Deflection (7 μ Sec Scan Rate/Line)

SPECIFICATIONS

Operating Wavelength:	1.06 μ m / 1.1 μ m
Interaction Material	Lead Molybdate (PbMoO ₄)
Active Aperture:	0.525mmH x 3.0mmW
Access Time (max):	0.8 μ sec
Bragg Angle (1.1 μ m)	22 mrad
Scan Angle (1.1 μ m)	21 mrad
Optical Power:	9.0 Watts
Centre Frequency:	145MHz
RF Bandwidth:	>70MHz
% Diffraction Efficiency:	\geq 80.0%
RF Power:	\leq 4.0 Watts

TYPICAL DIFFRACTION EFFICIENCY VS. FREQUENCY (0.36mm Dia' Beam)



ALL SPECIFICATIONS SUBJECT TO CHANGE WITHOUT NOTICE

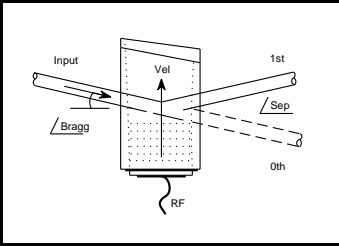
ISOMET CORP, 5263 Port Royal Rd, Springfield, VA 22151, USA.

Tel: (703) 321 8301 Fax: (703) 321 8546

E-mail: ISOMET@ISOMET.COM Web Page: WWW.ISOMET.COM

Quality Assured.

**In-house: Crystal Growth,
Optical Polishing,
A/R coating, Vacuum Bonding**



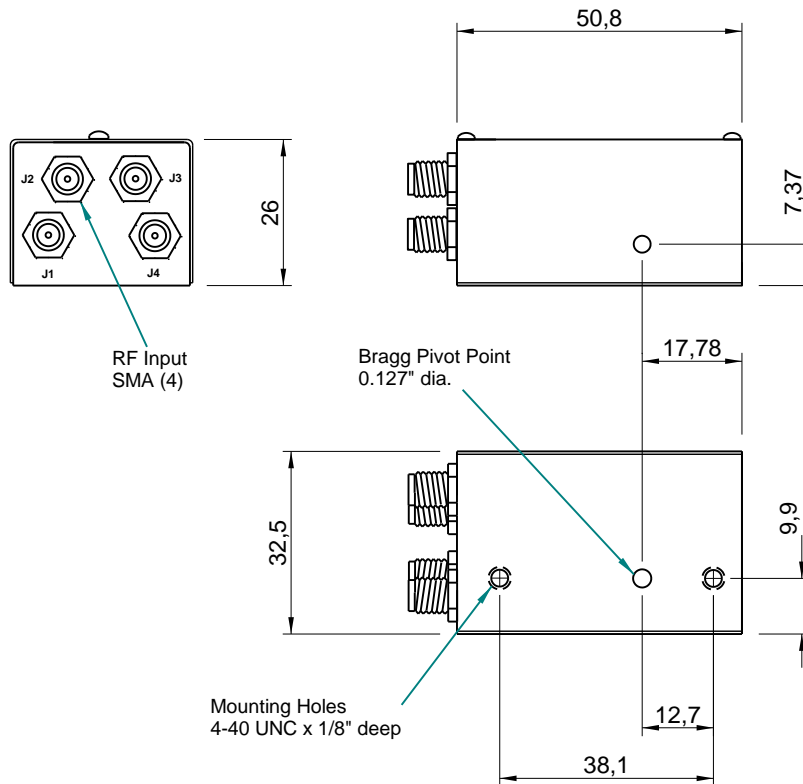
1250-BS-926

NIR Acousto-Optic Deflector



0913

OUTLINE DRAWING



Dim'n: mm except where marked

RF DRIVE ELECTRONICS

VCO driver-amplifier: RFA3145-4
 Quad output Synthesizer-Amplifier: iHSA-4

ALL SPECIFICATIONS SUBJECT TO CHANGE WITHOUT NOTICE

ISOMET CORP, 5263 Port Royal Rd, Springfield, VA 22151, USA.

Tel: (703) 321 8301 Fax: (703) 321 8546

E-mail: ISOMET@ISOMET.COM Web Page: WWW.ISOMET.COM

Quality Assured.

In-house: Crystal Growth,
 Optical Polishing,
 A/R coating, Vacuum Bonding