

FR00AHAR FR00AVAR

RedLink® Fiber Optic Analogue Receiver



Data Sheet



DESCRIPTION

The Firecomms Analogue Receiver is based on a highly reliable photodiode which generates a current proportional to the fiber coupled incident light. It is encapsulated in a clear plastic over-mold which forms a lens suitable for coupling to 1mm Plastic Optic Fiber(POF). The receiver is housed in a blue plastic housing which is UL rated flame retardant (UL 94 V-0).

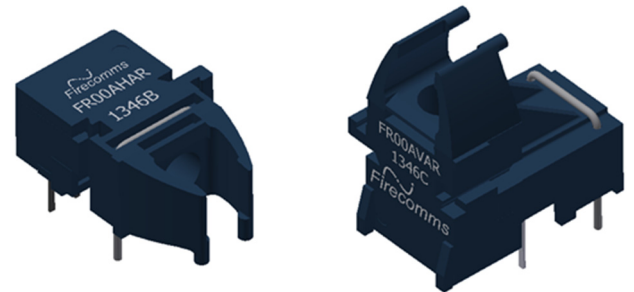
The housing is compatible with the Versatile Link style fiber plug, and is ideal for use with POF.

The receiver operates over the industrial temperature range of -40 °C to +85 °C supporting many industrial applications where reliable command, control and sensing response is required in electrically harsh environments.

The receiver can be used as a simple light sensing device or as part of a communications link by combining the output with an external transimpedance amplifier. The frequency response allows it to be used in application from DC to 250 Mbps (125 MHz, Min UI 4 ns).

AVAILABLE OPTIONS

RedLink® Analogue Receiver, Horizontal Package	FR00AHAR
RedLink® Analogue Receiver, Vertical Package	FR00AVAR



FEATURES

- Silicon Photodiode
- Industrial temperature range -40 °C to +85 °C
- RoHS compliant and flame retardant (UL 94 V-0) connector housings
- Detects DC to 250 Mbps
- Compatible with Versatile Link cables and connectors

APPLICATIONS

Application	Motor Control, Voltage Isolation, Drives, Inverters, Industrial Control, Gaming, Medical Sensing
Standard	Low-speed serial RS232, RS485, CAN Bus, Modbus, Profibus
Distance	Application specific, contact Firecomms technical support for link design consultation
Speed	DC to 250 MBd (NRZ)

SPECIFICATIONS

Table 3
RECEIVER PIN DESCRIPTION

Pin	Name	Symbol
1	Not Connected internally / GND	GND
2	PD CATHODE	RD -
3	PD ANODE	RD +
4	Not Connected internally / GND	GND
5	Retaining Pin	Gnd
8	Retaining Pin	Gnd

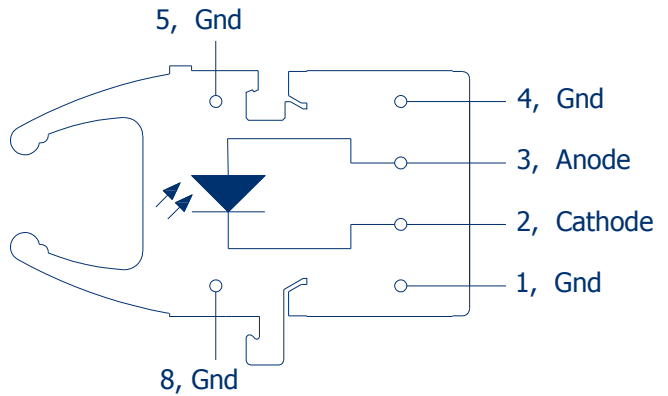


FIGURE 1
Receiver pin-out, top view

Table 4
REGULATORY COMPLIANCE

Parameter	Symbol	Standard	Level
Electrostatic Discharge, Human Body Model (contact ESD)	HBM	Mil-STD-883	Level 2 (4 kV)
Radiated Emissions Immunity	Vm^{-1}	IEC 61000-4-3	15 Vm^{-1}
UL Certification	UL	94 V-0	Files No. (Pending)
Storage Compliance	MSL	J-STD-020E	2a (4-week floor life)
Restriction of Hazardous Substances Directive	RoHS	Directive 2011/65/EU	Certified compliant

SPECIFICATIONS

Table 5
ABSOLUTE MAXIMUM RATINGS

These are the absolute maximum ratings at or beyond which the FOT can be expected to be damaged

Notes:

1. 260 °C for 10 seconds, one time only, at least 2.2 mm away from lead root

Parameter	Symbol	Minimum	Maximum	Unit
Storage Temperature	T _{stg}	-40	+85	°C
Operating Temperature	T _{op}	-40	+85	°C
Soldering Temperature [1]	T _{slid}		+260 ^[1]	°C
Storage Compliance	MSL		2a	J-STD-020D
Reverse Voltage	V _R		+25	V
Electrical Power Dissipation	P _{tot}		100	mW

Table 6
RECEIVER ELECTRICAL AND OPTICAL CHARACTERISTICS

Test Conditions:

1. Test data was validated over the full temperature range of -40 °C to +85 °C, unless otherwise noted. Typical data are at +25 °C
2. Input power levels are for peak (not average) optical input levels. For 50 % duty cycle data, peak optical power is twice the average optical power. Optical power for POF is measured when coupled into 0.5 m of a 1 mm diameter 0.5 NA POF and a large area detector
3. Pins 5 and 8 are used for mounting and retaining purposes only. Connect to ground

Parameter	Symbol	Min	Typical	Max	Unit	Test Condition
Responsivity Spectral Range	λ	400	650	1000	nm	Responsivity (R) > 10 % of R _{MAX}
Responsivity	R		0.3	0.42	A/W	$\lambda = 650$ nm
Dark Current	IR			0.2	nA	Testing at 5 V at 25 °C
Capacitance	C ₀		2		pF	
Rise time (20 % - 80 %)	t _r		1	4	ns	testing at 5 V and 3.5 V, 25 °C
Fall time (80 % - 20 %)	t _f		1		ns	
Noise Spectral Density			6		fA/√Hz	

MECHANICAL DATA, HORIZONTAL

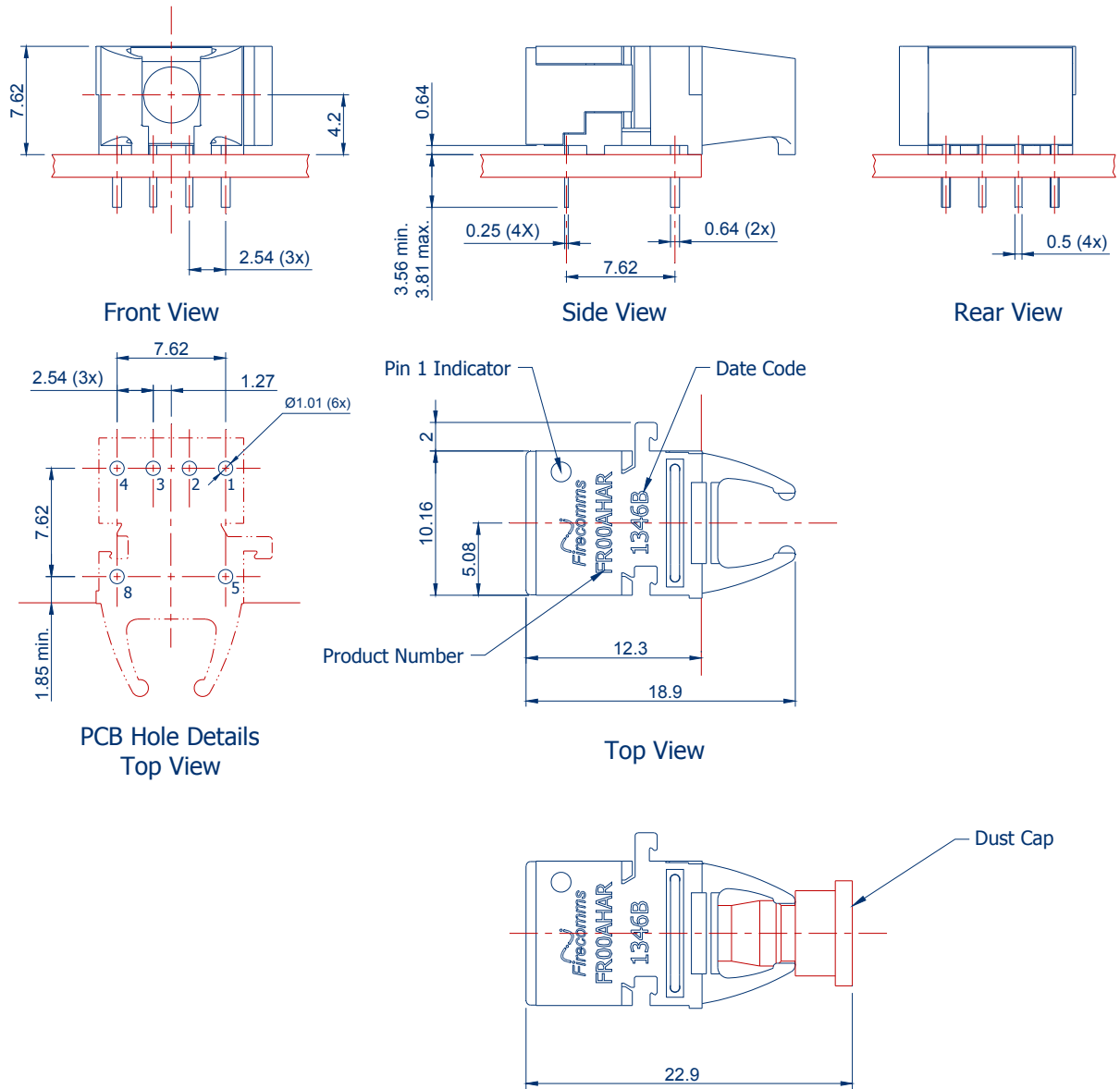


FIGURE 2
Mechanical dimensions of the horizontal connectors and PCB footprint, which is a top view
General dimensional tolerance is ± 0.2 mm



FIGURE 3
Packing tube for Firecomms Horizontal RedLink® Receivers

MECHANICAL DATA, VERTICAL

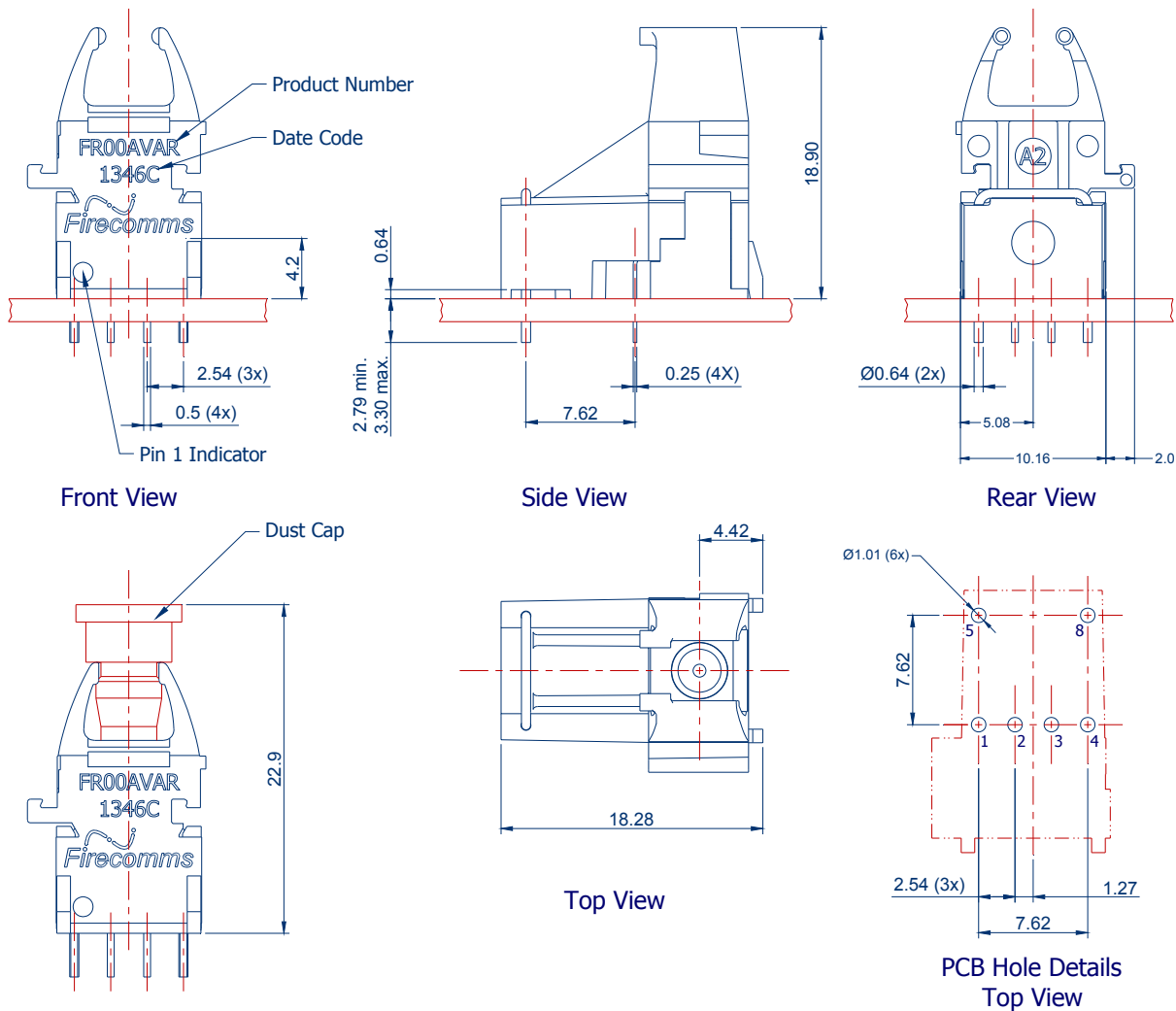


FIGURE 4
Mechanical dimensions of the vertical receivers and PCB footprint, which is a top view
General dimensional tolerance is ± 0.2 mm

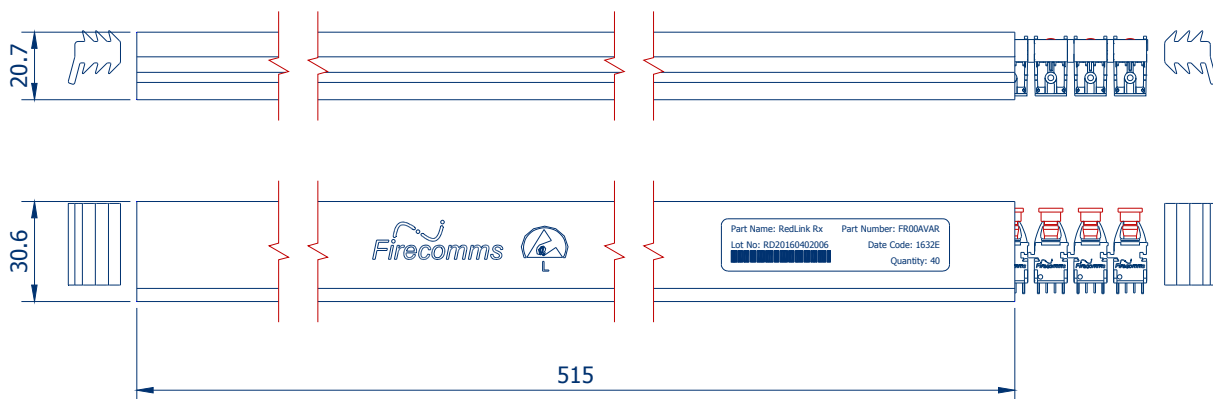


FIGURE 5
Packing tube for Firecomms Vertical RedLink® Receivers

PART HANDLING

The Firecomms analogue RedLink® receiver devices are color coded blue. They are auto-insertable. They are tested for handling in static-controlled assembly processes (HBM). Cleaning, degreasing and post solder washing should be carried out using standard solutions compatible with both plastics and the environment. For example, recommended solutions for degreasing are alcohols (methyl, isopropyl and isobutyl). Acetone, ethyl acetate, phenol or similar solution based products are not permitted.

In the soldering process, non-halogenated water soluble fluxes are recommended. These parts are not suitable for use in reflow solder processes (infrared/vapor-phase reflow). The dust plug should remain in place during soldering, washing and drying processes to avoid contamination of the active optical area of each part.

The Moisture Sensitivity Level (MSL) classification of this device is 2a according to JEDEC J-STD-020E. The shelf life of an unopened MBB (Moisture Barrier Bag) is 24 months at < 40 °C and < 90 % R.H. Once the Moisture Barrier Bag is opened the devices can be either

- a) Stored in normal factory conditions < 30 °C and < 60 % R.H. for a maximum of 672 hours (4 Weeks) prior to soldering.
- b) Stored at < 10 % R.H. (Dry Cabinet).

PACKING INFORMATION

Components are packed in PVC anti-static tubes in moisture barrier bags. Bags should be opened only in static-controlled locations, and standard procedures should be followed for handling moisture sensitive components.

Table 7
PACKING INFORMATION

	Horizontal	Vertical
Components per Tube	40	40
Tube Length	515 mm	515 mm
Tube Height	16.2 mm	21.0 mm
Tube Depth	26.9 mm	30.8 mm
Tubes per Bag	5	5
Bags per Inner Carton	1	1
Inner Carton Length	630 mm	630 mm
Inner Carton Width	70 mm	70 mm
Inner Carton Height	105 mm	105 mm
Weight per Inner Carton, Complete	0.77 kg	0.92 kg
Components per Inner Carton	200	200
Inner Cartons per Outer Carton	10	10
Outer Carton Length	650 mm	650 mm
Outer Carton Width	235 mm	235 mm
Outer Carton Height	376 mm	376 mm
Weight per Outer Carton, Complete	8.13 kg	9.60 kg
Components per Outer Carton	2,000	2,000

For the most recent revision or further information please visit www.firecomms.com or contact the company directly at the following address, Firecomms Ltd, 2200 Airport Business Park, Cork, IRELAND. Copyright© 2004-20016 Firecomms. All rights reserved. Firecomms refers to Firecomms Limited and/or its subsidiaries. Firecomms assumes no responsibility for inaccuracies or omissions in the information contained in this document. Specifications are subject to change without notice. No patent rights are granted to any of the circuits described herein.