

FE50MLIR

DC – 50 MBd Fiber Optic LC Transceiver

Preliminary Data Sheet



DESCRIPTION

The Firecomms DC-50 MBd LC transceiver consists of a highly reliable Resonant Cavity Light Emitting Diode (RCLED) with integrated driver IC as a visible optical transmitter and a receiver with a fully integrated photodiode and receiver IC. The transmitter and receiver are housed in Firecomms industrial LC connector, compliant with IEC 61754-20.

They are capable of delivering 50 MBd digital signals over fiber and operate in the temperature range of -40 °C to +85 °C. The device can operate from 5 V or 3.3 V DC power supply rails and can tolerate +/-10 % supply variation.

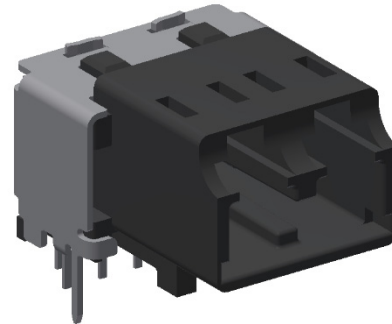
The transmitter contains a red wavelength RCLED with fully integrated precision driver IC, designed to provide a communication link over Plastic Optical Fiber (POF). The RCLED in this transceiver is a highly reliable visible incoherent light source requiring low operating current. The use of intrinsically eye-safe, visible light simplifies link set-up and testing. It is available in inverting and non-inverting options.

The receiver is a robust optical to electrical receiver with integrated pulse width distortion minimization circuitry for reliable data transmission. The receiver features a push-pull TTL compatible CMOS output. It is available in inverting and non-inverting options.

AVAILABLE OPTIONS

Table 1
ORDERING INFORMATION / PART NUMBER

DC-50 MBd Optical LC Connector	FE50MLIR
---------------------------------------	-----------------



FEATURES

- Visible RCLED at red wavelength (650 nm)
- Optimized for data transmission from DC to 50 MBd
- Industrial temperature range -40 °C to +85 °C
- Push Pull TTL Compatible CMOS output
- Dual 5 V and 3.3 V power supply with +/- 10% supply rail tolerance
- RoHS compliant and flame retardant
- (UL 94 V-0) connector housings
- Ultralow pulse width distortion to limit pulse distortion from burst mode data

APPLICATIONS

Table 2
APPLICATIONS

Application	Automation and Industrial Control. Serial Communications. Voltage Isolation.
Standard	Serial RS232, RS485, CAN-Bus, MODBUS, Profibus
Distance	50 meters Step Index POF ^[1] 100 meters PCS ^[1]
Speed	DC to 50 MBd

Note: 1. Depending on the installation conditions

SPECIFICATIONS

Table 3
TRANSCIVER PIN DESCRIPTION

Pin	Name	Symbol
Transmitter		
1	EMI Shield ^[1]	GND
2	Data Input (TTL)	V _{in}
3	Ground	GND
4	Ground	GND
5	V _{cc} (5/3.3 V)	V _{cc}
6	Ground	GND
Receiver		
7	V _{cc} (5/3.3 V)	V _{cc}
8	V _{cc} (5/3.3 V)	V _{cc}
9	Ground	GND
10	Not Connected	NC
11	Data Output	V _o
12	EMI Shield ^[1]	GND

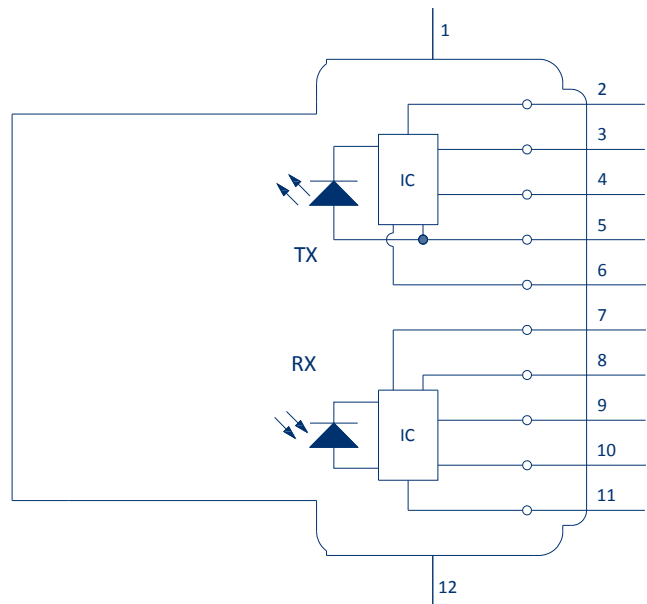


FIGURE 1
Transceiver pin-out, top view

1. NB: EMI Shield ground pins must be connected to the signal ground plane on the PCB. This is important to prevent cross-talk between TX and RX and also to shield the FOT's from external EMI/EMC and ESD

Table 4
REGULATORY COMPLIANCE

Parameter	Symbol	Standard	Level
Electrostatic Discharge, Human Body Model (contact ESD)	HBM	Mil-STD-883	Level 2 (4 kV)
UL Certification	UL	94 V-0	Files No. (Pending)
Storage Compliance	MSL	J-STD-020E	2a (4-week floor life)
Restriction of Hazardous Substances Directive	RoHS	Directive 2011/65/EU	Certified compliant
Eye Safety		IEC 60825-1	LED Class 1

RECOMMENDED APPLICATION CIRCUIT

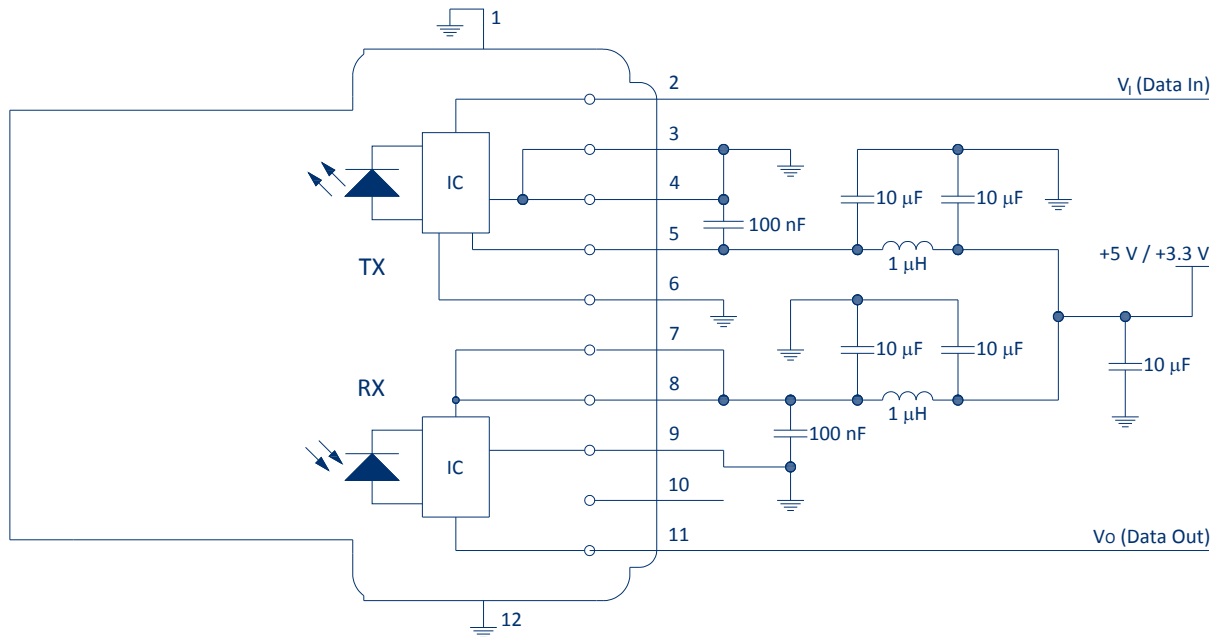


FIGURE 2
Recommended application circuit

SPECIFICATIONS

Table 5
ABSOLUTE MAXIMUM RATINGS

These are the absolute maximum ratings at or beyond which the FOT can be expected to be damaged

Notes:

1. 260 °C for 10 seconds, one time only, at least 2.2 mm away from lead root

Parameter	Symbol	Minimum	Maximum	Unit
Storage Temperature	T_{stg}	-40	+85	°C
Operating Temperature	T_{op}	-40	+85	°C
Soldering Temperature ^[1]	T_{slid}		+260 ^[1]	°C
Supply Voltage (TX, RX)	V_{cc}	-0.5	5.5	V
TX Input Voltage (Data in)	V_{IN}	-0.5	5.5	V
RX Output Current	I_o	-16	+16	mA

SPECIFICATIONS

Table 6
TRANSMITTER ELECTRICAL AND OPTICAL CHARACTERISTICS

Test Conditions:

1. Test data was validated over the full temperature range of -40 °C to +85 °C, and over both power supply rail options of 5 V and 3.3 V \pm 10%. Typical data out is at 25 °C, with 50 Mbps PRBS data and 3.3 V Supply
2. Output power levels are for peak (not average) optical output levels. For 50% duty cycle data, peak optical power is twice the average optical power
3. Electrical input pulse width is determined at 1.5 V and dV/dt between 1 V and 2 V shall not be less than 1 V/ns.
4. Emission Wavelength (centroid) $\lambda_c = \sum_i P_i \lambda_i / \sum_i P_i$. (Ref: EIA/TIA std. FOTP-127/6.1, 1991)
5. Spectral Width Root Mean Squared (RMS) $\lambda_{RMS} = \left(\sum_i P_i (\lambda_c - \lambda_i)^2 / \sum_i P_i \right)^{1/2}$. (Ref: EIA/TIA std. FOTP-127/6.3, 1991)
6. Wake Up Delay is the time from valid power up to valid data output, at 5 V or 3.3 V \pm 10%, with input data at 50% duty cycle

Parameter	Symbol	Min	Typical	Max	Unit	Test Condition
Supply Current	I _{CC}		21 @ 3.3 V 22 @ 5 V	35	mA	[1]
Input Voltage - Low	V _{IL}	-0.3		0.8	V	[1]
Input Voltage - High	V _{IH}	2.0		V _{CC} + 0.25	V	[1]
Data Input Capacitance	C _{in}			7	pF	
Data Input Resistance	R _{in}	10			M Ω	
Output Power	P _{High}	-6		0	dBm	[1,2] POF
Emission Wavelength (centroid)	λ_c	640	650	670	nm	[4]
Spectral Width (RMS)	λ_{RMS}			30	nm	[5]
Optical Rise time (20 % - 80 %)	t _r		1.6	5	ns	[1]
Optical Fall time (80 % - 20 %)	t _f		1	2	ns	[1]
Propagation Delay Low-to-High	t _{PropDly_LH}	23	29	37	ns	[1]
Propagation Delay High-to Low	t _{PropDly_HL}	23	29	37	ns	[1]
TX Pulse Width Distortion	PWD	-3.0		+3.0	ns	[1,4]
Wake Up Delay (power up)	t _{power-on}		20		μ s	[6]

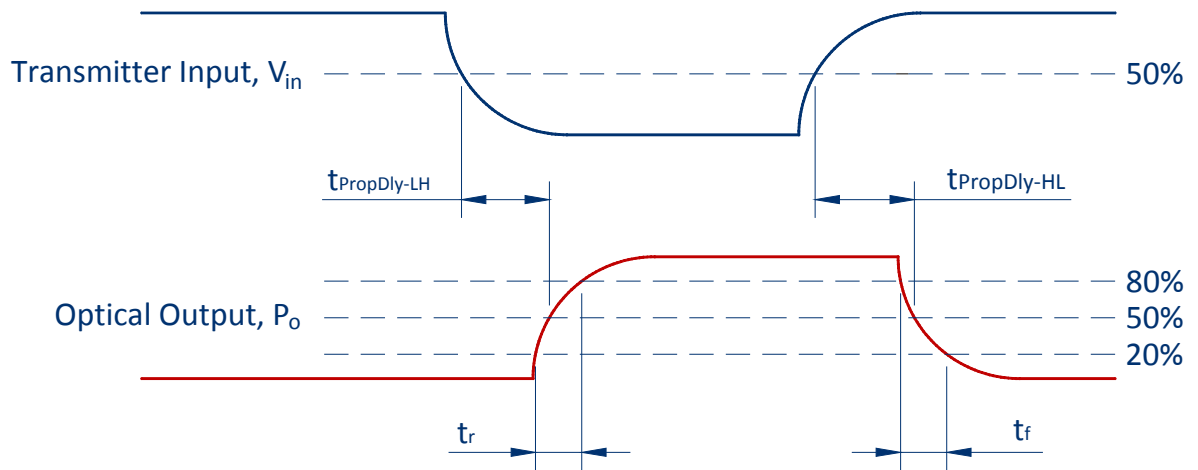


FIGURE 3
Transmitter Propagation Delay and rise/fall time definitions

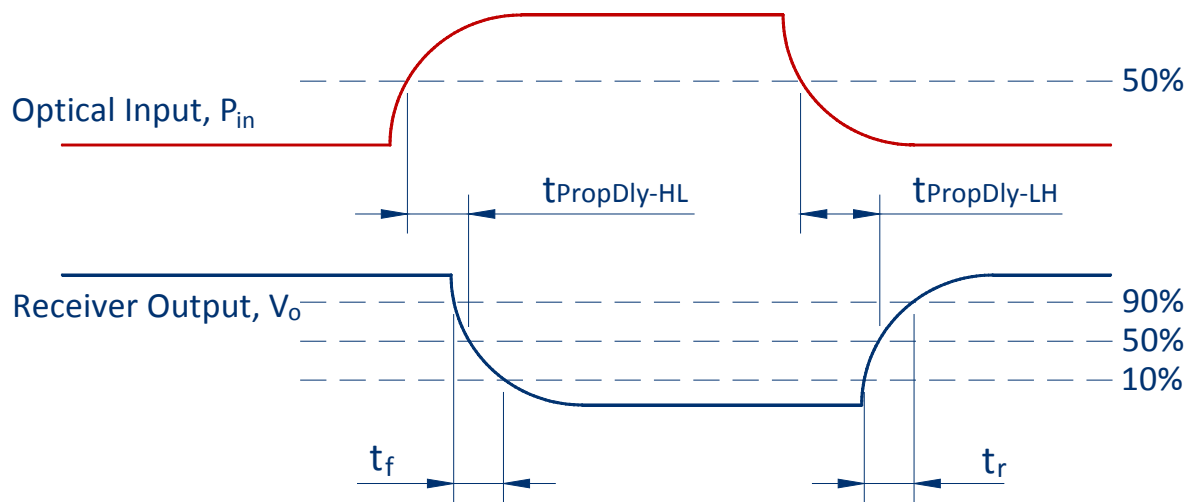


FIGURE 4
Receiver Propagation Delay and rise/fall time definitions

Table 7
RECEIVER ELECTRICAL AND OPTICAL CHARACTERISTICS

Test Conditions:

1. *Wake up Delay is the delay from VCC > 2.75 V to when the output will respond correctly to optical input. Output is held in tristate before this time.*
2. *Test data was validated over the full temperature range of -40 °C to +85 °C, and over both supply rail voltage options of 5 V and 3.3 V ± 10 % and over the input optical received power as specified by PH and PL. Input power levels are for peak (not average) optical input levels. For 50 % duty cycle data, peak optical power is twice the average optical power. Data referred to as typical are rated at +25 °C.*
3. *Testing in the recommended receiver circuit (RL= 50 kΩ, CL(total)= 15 pF)*
4. *Optical signal from the recommended Transmitter circuit.*
5. *PWD for Optical Input of 50 MBd, NRZ 27-1 (PRBS7) data, resulting in a BER ≤ 10-9. PWD for 1st to 3rd pulse is characterized with minimum Optical Input pulse width of 20 ns, with the 1st pulse being the worst case. For pulses > 20 ns the PWD will be less. If data rate < 1 MBd, then the pulse width distortion = PWD 1st to 3rd pulse.*
6. *Pins 1 and 12 are used for mounting and retaining purposes. It is required that pins 1 and 12 be connected to ground*

Parameter	Symbol	Min	Typical	Max	Unit	Test Condition
Supply Current	I _{CC}		20	24	mA	[2,3,4]
Wake Up Delay (power up)	t _{power-on}		40		μs	[1]
High Level Output Voltage	V _{OH}	V _{CC} – 0.05		V _{CC}	V	I _{OH-max} = 40 μA, [2]
Low Level Output Voltage	V _{OL}	0		0.05	V	I _{OL-max} = 1.6 mA, [2]
Optical Power High	P _H	-22		+2	dBm	1mm POF, [2,3]
		-24		0	dBm	200μm PCS, [2,3]
Optical Power Low	P _L			-40	dBm	1mm POF, [2,3]
				-42	dBm	200μm PCS, [2,3]
Data Rate		DC		50	MBd	Min UI = 20 ns, Max f = 25 MHz
Output Rise Time (10 % - 90 %)	t _r			5	ns	[2,3,4]
Output Fall Time (90 % - 10 %)	t _f			5	ns	[2,3,4]
Pulse Width Distortion		-6		+6	ns	[2,3,5]
Pulse Width Distortion 1st to 3rd pulse	PWD _{init}	-6		+12	ns	[2,3,6]
Propagation Delay	t _{PropDly-HL}			40	ns	[2,3,5,6]
	t _{PropDly-LH}			40	ns	[2,3,5,6]

MECHANICAL DATA

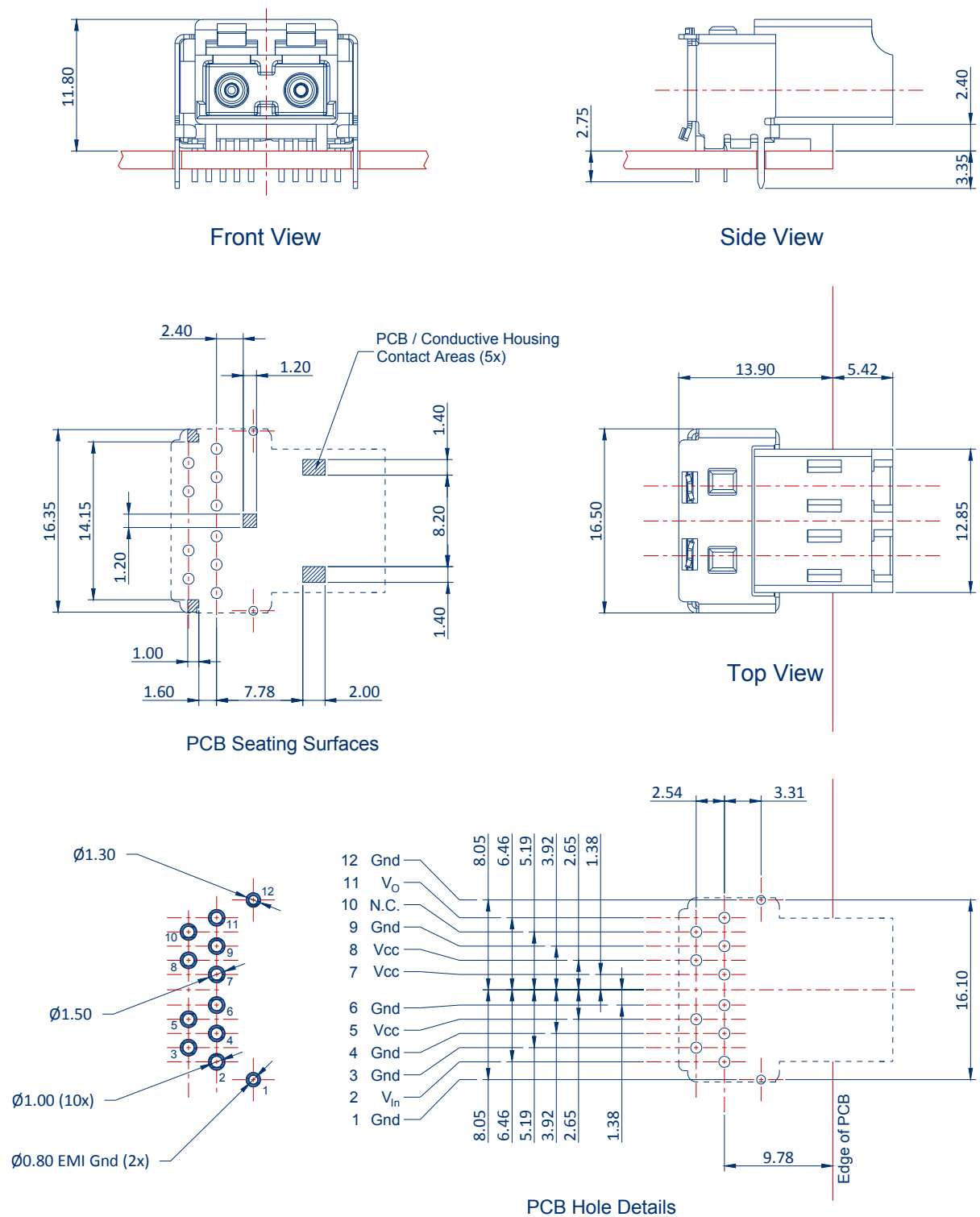


FIGURE 5
 Mechanical dimensions of the product, and PCB footprint, which is a top view
 General dimensional tolerance is ± 0.2 mm

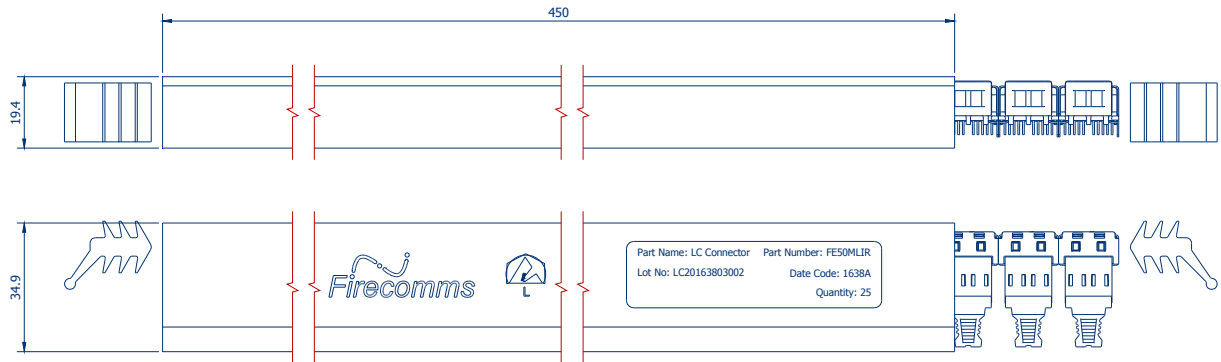


FIGURE 6
Packing tube for Firecomms FE50MLIR Optical LC Transceiver

PART HANDLING

The transceivers are tested for handling in static-controlled assembly processes (HBM). Cleaning, degreasing and post solder washing should be carried out using standard solutions compatible with both plastics and the environment. For example, recommended solutions for degreasing are alcohols (methyl, isopropyl and isobutyl). Acetone, ethyl acetate, phenol or similar solution based products are not permitted.

In the soldering process, non-halogenated water soluble fluxes are recommended. These components are not suitable for use in reflow solder processes (infrared/vapor-phase reflow). The dust plug should remain in place during soldering, washing and drying processes to avoid contamination of the active optical area of each part.

The Moisture Sensitivity Level (MSL) classification of this device is 2a according to JEDEC J-STD-020E. The shelf life of an unopened MBB (Moisture Barrier Bag) is 24 months at < 40 °C and < 90 % R.H. Once the Moisture Barrier Bag is opened the devices can be either

- a) Stored in normal factory conditions < 30 °C and < 60 % R.H. for a maximum of 672 hours (4 Weeks) prior to soldering.
- b) Stored at < 10 % R.H. (Dry Cabinet).

PACKING INFORMATION

Components are packed in PVC anti-static tubes in moisture barrier bags. Bags should be opened only in static-controlled locations, and standard procedures should be followed for handling moisture sensitive components

Components per Tube	25
Tube Length	450 mm
Tube Width	34.9 mm
Tube Height	19.4 mm
Tubes per Bag	10
Bags per Inner Carton	1
Inner Carton Length	588 mm
Inner Carton Width	147 mm
Inner Carton Height	82 mm
Weight per Inner Carton, Complete	1.95 kg
Components per Inner Carton	250
Inner Cartons per Outer Carton	4
Outer Carton Length	600 mm
Outer Carton Width	300 mm
Outer Carton Height	179 mm
Weight per Outer Carton, Complete	8.10 kg
Components per Outer Carton	1000

For the most recent revision or further information please visit www.firecomms.com or contact the company directly at the following address, Firecomms Ltd, 2200 Airport Business Park, Cork, IRELAND. Copyright© 2004-20016 Firecomms. All rights reserved. Firecomms refers to Firecomms Limited and/or its subsidiaries. Firecomms assumes no responsibility for inaccuracies or omissions in the information contained in this document. Specifications are subject to change without notice. No patent rights are granted to any of the circuits described herein.