

Current Sense Transformers

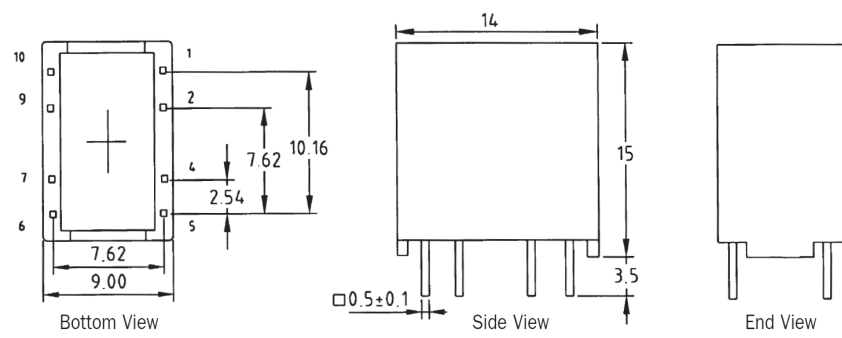
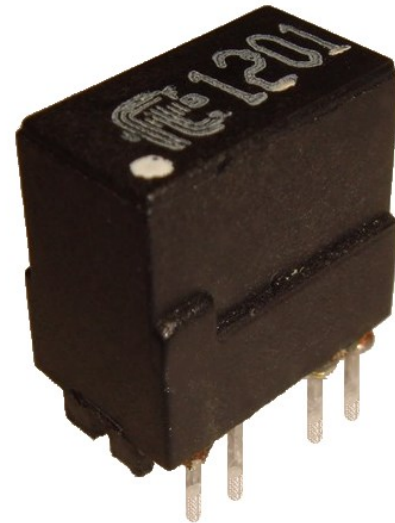
Series 1000

General applications

- Overload Limits
- Feedback control
- AC regulation
- Motor regulation

Features

- 1 kV RMS HI-POT primary to secondary
- Frequency range up to 200 kHz
- Maximum primary current 12 A
- Encapsulated construction
- IEC 950
- UL approved materials
- Operating temperature -30 °C to 130 °C
- Very flexible - Primaries & secondaries can be combined
- Single operation placement with built-in primary
- Stick packaging
- Suitable for automated placement



Top: Dot at Pin 1.

Dimensions in mm. Tolerance unless otherwise stated: ±0.2 mm.

Part Number	Schematic Figure	Primary-Secondary Turns Ratio	Secondary min. inductance at 1V & 10kHz [mH]	Max. primary resistance [Ohm]	Max. secondary resistance [Ohm]	Secondary rated termination resistance nom. [Ohm]	Primary Rating, Unipolar [A _{us}]	Primary Rating, Bipolar [A _{us}]	Primary Peak Sense Current [A]
28001201		1 : 1 : 50	5	0,01	0,75	50	75	150	12
28001203		1 : 1 : 100	20	0,01	1,40	100	150	300	12
28001205		1 : 1 : 200	80	0,01	4,50	200	300	600	12
28001207		1 : 1 : 300	180	0,01	11,4	300	450	900	12
28001202		1 : 1 : 50 CT	5	0,01	0,75	50	75	150	12
28001204		1 : 1 : 100 CT	20	0,01	1,40	100	150	300	12
28001206		1 : 1 : 200 CT	80	0,01	4,50	200	300	600	12
28001208		1 : 1 : 300 CT	180	0,01	11,4	300	450	900	12
28001221		1 : 1 : 50 : 50	5	0,01	0,75	50	75	150	12
28001222		1 : 1 : 100 : 100	20	0,01	2,50	100	150	300	12
28001223		1 : 1 : 150 : 150	45	0,01	6,00	150	225	450	12
28001101		1 : 50	5	0,01	0,75	50	75	150	6
28001103		1 : 100	20	0,01	1,40	100	150	300	6
28001105		1 : 200	80	0,01	4,50	200	300	600	6
28001107		1 : 300	180	0,01	11,0	300	450	900	6
28001102		1 : 50 CT	5	0,01	0,75	50	75	150	6
28001104		1 : 100 CT	20	0,01	1,40	100	150	300	6
28001106		1 : 200 CT	80	0,01	4,50	200	300	600	6
28001108		1 : 300 CT	180	0,01	11,0	300	450	900	6
28001121		1 : 50 : 50	5	0,01	0,75	50	75	150	6
28001122		1 : 100 : 100	20	0,01	2,50	100	150	300	6
28001123		1 : 150 : 150	45	0,01	6,00	150	225	450	6

CT = Center tap
100 CT = 50+50 Turns

Specification measured at 25 °C

Subject to change without notice