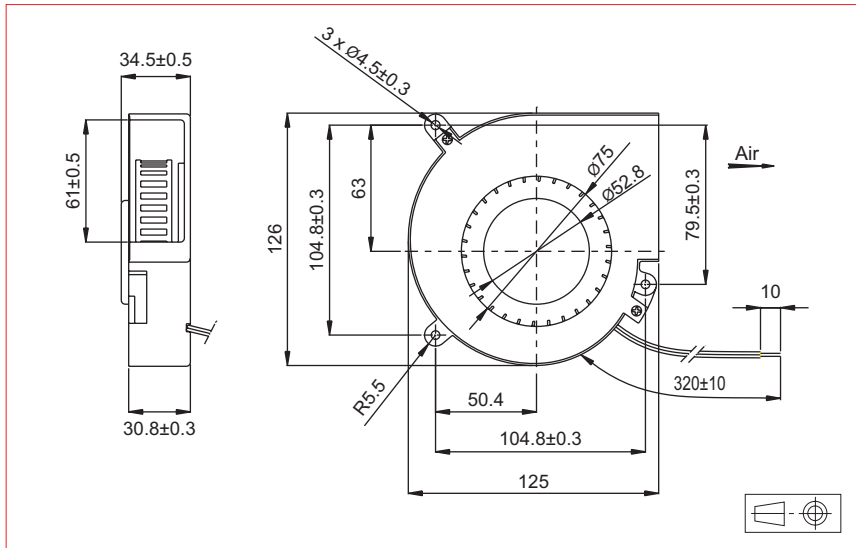


4,96" x 4,92" x 1,36" 126 x 125 x 34,5 mm

Series
596D

ETRI[®]

DC Centrifugal Blowers



Approvals



Life expectancy

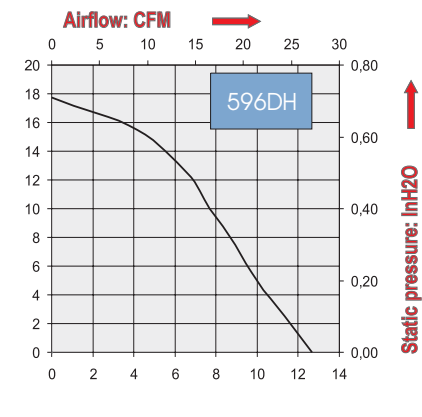
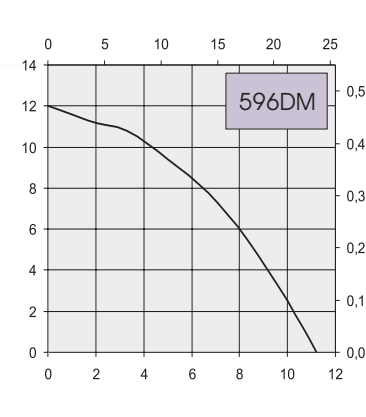
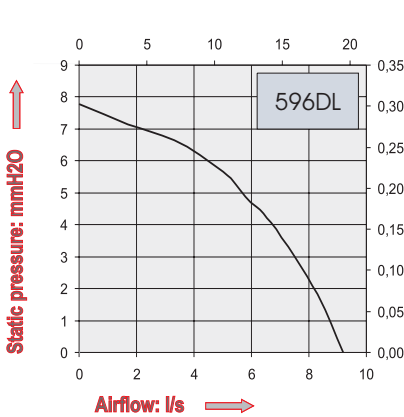
L-10 LIFE AT 40°C:
25 000 hours

Brushless DC Motor

Electrical protection: integrated circuit
Housing material: plastic UL 94 V0
Impeller material: plastic UL 94 V0
Maximum weight: 325 g
Bearing system: ball bearings
Connection: flying leads
IP 20

Available with:

- Speed sensor
- Alarm



Part Number	Nominal voltage	Airflow	Noise level	Nominal speed	Input Power	Voltage range	Operating temperature	
	V	l/s	dB(A)	RPM			Min.°C	Max.°C
596DL1LP11000	12	9,2	42,5	1700	2,9	(7-13,8)	-10	60
596DL2LP11000	24	9,2	42,5	1700	3,1	(14-28)	-10	60
596DL4LP11000	48	9,2	42,5	1700	3,8	(38-56)	-10	60
596DM1LP11000	12	11,2	46,0	2000	5,0	(7-13,8)	-10	60
596DM2LP11000	24	11,2	46,0	2000	5,5	(14-28)	-10	60
596DM4LP11000	48	11,2	46,0	2000	5,8	(38-56)	-10	60
596DH1LP11000	12	12,8	51,5	2300	8,2	(7-13,8)	-10	60
596DH2LP11000	24	12,8	51,5	2300	8,2	(14-28)	-10	60