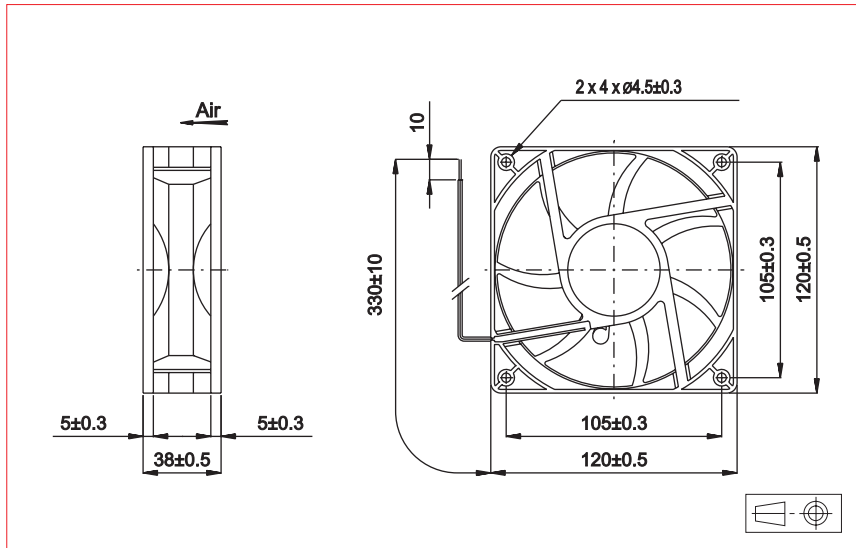


4,724" x 4,724" x 1,496" 120 x 120 x 38 mm

Series  
235D

**ETRI**

DC Axial Fans



Approvals



Life expectancy

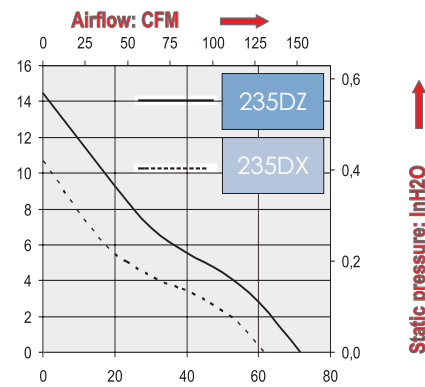
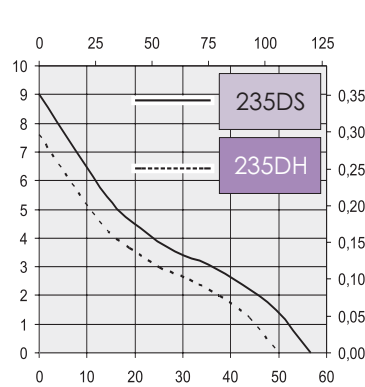
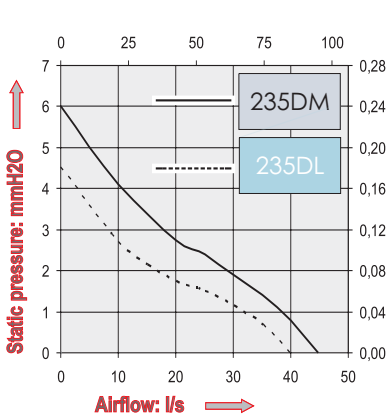
L-10 LIFE AT 40°C:  
70 000 hours

**Brushless DC Motor**

Electrical protection: integrated circuit  
Housing material: plastic UL 94 V0  
Impeller material: plastic UL 94 V0  
Maximum weight: 256 g  
Bearing system: ball bearings  
Connection: flying leads  
IP 20

**Available with:**

- Speed sensor
- Alarm
- IP 54 / IP 55



Part Number	Nominal voltage	Airflow	Noise level	Nominal speed	Input Power	Voltage range	Operating temperature	
	V	l/s	dB(A)	RPM			Min.°C	Max.°C
235DL1LP11000	12	40,0	34	2000	2,3	(4-13,8)	-10	60
235DL2LP11000	24	40,0	34	2000	3,6	(7-27,6)	-10	60
235DL4LP11000	48	40,0	34	2000	2,9	(28-56)	-10	60
235DM1LP11000	12	44,8	38	2300	3,1	(4-13,8)	-10	60
235DM2LP11000	24	44,8	38	2300	4,6	(7-27,6)	-10	60
235DM4LP11000	48	44,8	38	2300	3,8	(28-56)	-10	60
235DH1LP11000	12	50,0	41	2600	3,8	(4-13,8)	-10	60
235DH2LP11000	24	50,0	41	2600	5,8	(7-27,6)	-10	60
235DH4LP11000	48	50,0	41	2600	5,8	(28-56)	-10	60
235DS1LP11000	12	56,7	44	2900	5,5	(4-13,8)	-10	60
235DS2LP11000	24	56,7	44	2900	7,2	(7-27,6)	-10	60
235DS4LP11000	48	56,7	44	2900	7,2	(28-56)	-10	60
235DX1LP11000	12	61,3	48	3200	7,2	(4-13,8)	-10	60
235DX2LP11000	24	61,3	48	3200	9,1	(7-27,6)	-10	60
235DZ1LP11000	12	71,7	53	3700	12,6	(4-13,8)	-10	60
235DZ2LP11000	24	71,7	53	3700	12,0	(7-27,6)	-10	60

**Additional versions:**

235DX in 48 V