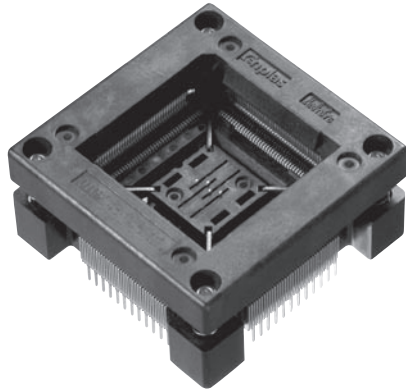


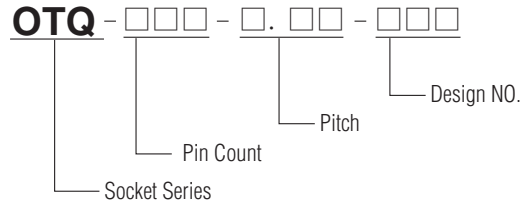
QFP

QUAD FLAT PACKAGE



- Better air flow.
- Vertical actuation is ideal for automation.
- Zero insertion force.
- Live bug.

ORDERING PROCEDURE

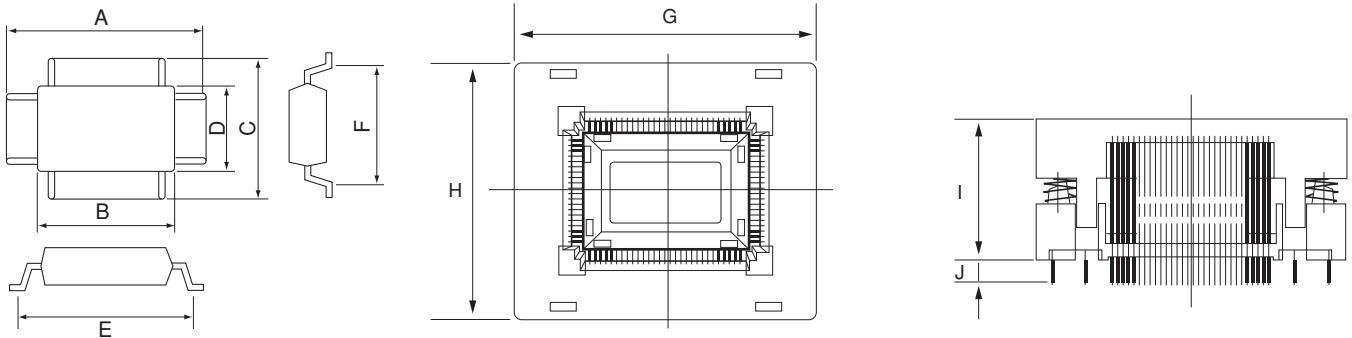


Specification / 仕様	
Contact resistance (Initial) 接触抵抗 (初期値)	100mΩ (At 10 mA)
Maximum voltage 耐電圧	AC700V RMS (for 1 minute) Below 0.5mm Pitch AC500V RMS (for 1 minute)
Insulation resistance 絶縁抵抗	1,000MΩ or higher (AC DC 500V)
Rated current 許容電流値	1A
Operating temperature range 仕様温度	-65°C ~ +150°C
Terminal strength against pulling 端子抜け強度	0.5kg (1 min)
Insertion 機械寿命	Min. 10,000 times (mechanical)
MATERIAL / 材質	
Body 本体	PEI, PES
Contact コンタクトピン	BeCu, Au plating (Ni-base)

※RoHS compliant

※PINCH CONTACT: Patent No. 1869849 (Japan) Patent No. 4691975 (U.S.A)

APPLICABLE IC DIMENSIONS & SOCKET DIMENSIONS



Applicable IC/QFP

OPEN TOP TYPE SOCKET

PINCH CONTACT (QFP·LQFP)

Unit: mm (in)

PART NO.	PIN COUNT	PITCH	ACTUATION FORCE	APPLICABLE IC DIMENSIONS (REF.)						OUTSIDE DIMENSIONS (REF.)				REMARKS
				A	B	C	D	E	F	G	H	I	J	
OTQ-64-0.5-03	64	0.5 (19.6mil)	max 1.3kg	12±0.15 (0.412)	max10.5 (0.413)	12±0.15 (0.412)	max10.5 (0.413)	11±0.1 (0.433)	11±0.1 (0.433)	26.2 (1.030)	26.2 (1.030)	16.5 (0.650)	3 (0.118)	
OTQ-64-0.8-01	64	0.8 (32mil)	max 4.0kg	17.2±0.2 (0.677)	14±0.2 (0.551)	17.2±0.2 (0.677)	14±0.2 (0.551)	max 16.6 (0.653)	max 16.6 (0.653)	34 (1.338)	34 (1.338)	16 (0.629)	2.5 (0.098)	
OTQ-64-0.8-02	64	0.8 (32mil)	max 4.0kg	16.4±0.2 (0.645)	14±0.2 (0.551)	16.4±0.2 (0.645)	14±0.2 (0.551)	max 15.6 (0.614)	max 15.6 (0.614)	34 (1.338)	34 (1.338)	16 (0.629)	2.5 (0.098)	
OTQ-64-1.0-01	64	1.0 (39mil)	max 3.0kg	25.4±0.2 (1.000)	20±0.2 (0.787)	19.4±0.2 (0.763)	14±0.2 (0.559)	max 24 (0.944)	max 18 (0.708)	42 (1.653)	36 (1.417)	17 (0.669)	2.5 (0.098)	
OTQ-64-1.0-02	64	1.0 (39mil)	max 3.0kg	24.6±0.2 (0.968)	20±0.2 (0.787)	18.6±0.2 (0.732)	14±0.2 (0.559)	max 23 (0.905)	max 17 (0.669)	42 (1.653)	36 (1.417)	17 (0.669)	2.5 (0.098)	
OTQ-64-1.0-03	64	1.0 (39mil)	max 3.0kg	23.9±0.2 (0.940)	20±0.2 (0.787)	17.9±0.2 (0.704)	14±0.2 (0.559)	max 22.6 (0.889)	max 16.6 (0.653)	42 (1.653)	36 (1.417)	17 (0.669)	2.5 (0.098)	
OTQ-80-0.65-07	80	0.65 (26mil)	max 4.0kg	17.2±0.2 (0.677)	14±0.2 (0.551)	17.2±0.2 (0.677)	14±0.2 (0.559)			33.4 (1.315)	33.4 (1.315)	17.5 (0.689)	3 (0.118)	Lead Guide
OTQ-80-0.8-01	80	0.8 (32mil)	max 4.0kg	25.4±0.2 (1.000)	20±0.2 (0.787)	19.4±0.2 (0.763)	14±0.2 (0.559)	max 24 (0.944)	max 18 (0.708)	42 (1.653)	36 (1.417)	17 (0.669)	2.5 (0.098)	
OTQ-80-0.8-02	80	0.8 (32mil)	max 4.0kg	24.6±0.2 (0.968)	20±0.2 (0.787)	18.6±0.2 (0.732)	14±0.2 (0.559)	max 23 (0.905)	max 17 (0.669)	42 (1.653)	36 (1.417)	17 (0.669)	2.5 (0.098)	
OTQ-80-0.8-03	80	0.8 (32mil)	max 4.0kg	23.9±0.2 (0.940)	20±0.2 (0.787)	17.9±0.2 (0.704)	14±0.2 (0.559)	max 22.6 (0.889)	max 16.6 (0.653)	42 (1.653)	36 (1.417)	17 (0.669)	2.5 (0.098)	
OTQ-100-0.5-11	100	0.5 (19.6mil)	max 3.3kg	16±0.15 (0.630)	14±0.03 (0.551)	16±0.15 (0.630)	14±0.03 (0.551)	15±0.1 (0.591)	15±0.1 (0.591)	31 (1.220)	31 (1.220)	16.5 (0.650)	2.5 (0.098)	Mold Guide
OTQ-100-0.65-03	100	0.65 (26mil)	max 4.5kg	23.9±0.2 (0.940)	20±0.2 (0.787)	17.9±0.2 (0.704)	14±0.2 (0.559)	max 22.6 (0.889)	max 16.6 (0.653)	42 (1.653)	36 (1.417)	17 (0.669)	2.5 (0.098)	
OTQ-100-0.65-16	100	0.65 (26mil)	max 3.3kg	23.2 (0.913)	20 (0.787)	17.2 (0.677)	14 (0.551)	21 (0.827)	15 (0.614)	38 (1.496)	31.0 (1.268)	16.5 (0.650)	2.6 (0.102)	
OTQ-100-0.65-23	100	0.65 (26mil)	max 3.2kg	22 (0.866)	20 (0.787)	16 (0.630)	14 (0.551)	21 (0.827)	15 (0.614)	37 (1.457)	31.0 (1.220)	16 (0.650)	2.6 (0.102)	

PINCH CONTACT (TQFP)

Unit: mm (in)

PART NO.	PIN COUNT	PITCH	ACTUATION FORCE	APPLICABLE IC DIMENSIONS (REF.)						OUTSIDE DIMENSIONS (REF.)				REMARKS
				A	B	C	D	E	F	G	H	I	J	
OTQ-32-0.8-02	32	0.8 (32mil)	max 3.0kg	9±0.1 (0.354)	7±0.1 (0.275)	9±0.1 (0.354)	7±0.1 (0.275)	max 8.1 (0.318)	max 8.1 (0.318)	25.5 (1.003)	25.5 (1.003)	17.5 (0.688)	2.5 (0.098)	SQFP/TQFP
OTQ-44-0.8-04	44	0.8 (32mil)	max 3.5kg	12±0.1 (0.472)	10±0.1 (0.393)	12±0.1 (0.472)	10±0.1 (0.393)	max 11.1 (0.437)	max 11.1 (0.437)	28.4 (1.118)	28.4 (1.118)	17.5 (0.688)	3 (0.118)	
OTQ-48-0.5-03	48	0.5 (19.6mil)	max 1.7kg	9±0.1 (0.354)	max7.6 (0.299)	9±0.15 (0.354)	max7.6 (0.299)	8±0.1 (0.315)	8±0.1 (0.315)	24 (0.945)	24 (0.945)	16.5 (0.650)	2.6 (0.102)	Mold Guide
OTQ-48-0.5-10	48	0.5 (19.6mil)	max 1.7kg	9±0.15 (0.354)	max7.6 (0.299)	9±0.15 (0.354)	max7.6 (0.299)	8±0.1 (0.315)	8±0.1 (0.315)	24 (0.945)	24 (0.945)	16.5 (0.650)	2.6 (0.102)	Lead Guide
OTQ-52-0.65-03	52	0.65 (26mil)	max 4.0kg	12±0.1 (0.472)	10±0.1 (0.393)	12±0.1 (0.472)	10±0.1 (0.393)	max 11.1 (0.437)	max 11.1 (0.437)	28.4 (1.118)	28.4 (1.118)	17.5 (0.688)	3.5 (0.137)	
OTQ-52-0.65-04	52	0.65 (26mil)	max 1.1kg	12±0.15 (0.412)	max10.5 (0.413)	12±0.15 (0.412)	max10.5 (0.413)	11±0.1 (0.433)	11±0.1 (0.433)	26.2 (1.030)	26.2 (1.030)	16.5 (0.650)	3 (0.118)	
OTQ-64-0.5-04	64	0.5 (19.6mil)	max 1.3kg	12±0.15 (0.412)	max10.5 (0.413)	12±0.15 (0.412)	max10.5 (0.413)	11±0.1 (0.433)	11±0.1 (0.433)	26.2 (1.030)	26.2 (1.030)	16.5 (0.650)	3 (0.118)	
OTQ-64-0.65-04	64	0.65 (26mil)	max 2.1kg	14±0.15 (0.551)	max12.6 (0.499)	14±0.15 (0.551)	max12.6 (0.499)	13±0.1 (0.512)	13±0.1 (0.512)	29 (1.142)	29 (1.142)	16.5 (0.650)	2.6 (0.102)	Mold Guide
OTQ-64-0.65-08	64	0.65 (26mil)	max 2.1kg	14±0.15 (0.551)	max12.6 (0.496)	14±0.15 (0.551)	max12.6 (0.496)	13±0.1 (0.512)	13±0.1 (0.512)	29 (1.142)	29 (1.142)	16.5 (0.650)	2.6 (0.102)	Lead Guide
OTQ-80-0.5-05	80	0.5 (19.6mil)	max 2.7kg	14±0.15 (0.551)	max12.6 (0.499)	14±0.15 (0.551)	max12.6 (0.499)	13±0.1 (0.512)	13±0.1 (0.512)	29 (1.142)	29 (1.142)	16.5 (0.650)	2.6 (0.102)	Mold Guide
OTQ-80-0.5-16	80	0.5 (19.6mil)	max 2.7kg	14±0.15 (0.551)	max12.6 (0.496)	14±0.15 (0.551)	max12.6 (0.496)	13±0.1 (0.512)	13±0.1 (0.512)	29 (1.142)	29 (1.142)	16.5 (0.65)	2.6 (0.102)	Lead Guide
OTQ-80-0.65-05	80	0.65 (26mil)	max 6.5kg	16±0.1 (0.629)	14±0.1 (0.551)	16±0.1 (0.629)	14±0.1 (0.551)	max 15.1 (0.594)	max 15.1 (0.594)	32.4 (1.275)	32.4 (1.275)	17.5 (0.688)	3 (0.118)	
OTQ-100-0.65-22	100	0.65 (26mil)	max 3.3kg	23.2±0.05 (0.913)	20±0.4 (0.787)	17.2±0.05 (0.677)	14±0.1 (0.551)	max 15.6 (0.551)	max 15.6 (0.551)	32.2 (1.268)	32.2 (1.268)	16.5 (0.650)	2.6 (0.102)	Mold Guide
OTQ-112-0.65-02	112	0.65 (26mil)	max 5.6kg	22 (0.866)	20 (0.787)	22 (0.866)	20 (0.787)			38 (1.496)	38 (1.496)	17.5 (0.688)	3 (0.118)	
OTQ-128-0.5-13	128	0.5 (19.6mil)	max 3.2kg	22±0.05 (0.866)	16±0.05 (0.63)	22±0.05 (0.866)	16±0.05 (0.63)	20±0.03 (0.787)	14±0.03 (0.551)	37 (1.457)	31 (1.22)	16.5 (0.65)	3 (0.118)	Mold Guide
OTQ-160-0.65-05	160	0.65 (26mil)	max 3.5kg	31.2±0.05 (1.228)	max27.85 (1.096)	31.2±0.05 (1.228)	max27.85 (1.096)	28±0.05 (1.102)	28±0.05 (1.102)	46.2 (1.819)	46.2 (1.819)	16.5 (0.6450)	3 (0.118)	Mold Guide
OTQ-176-0.5-04	176	0.5 (19.6mil)	max 3.8kg	26.1±0.15 (1.023)	max24.5 (0.964)	26.1±0.15 (1.023)	max24.5 (0.964)	25 (0.984)	25 (0.984)	41 (1.614)	41 (1.614)	16.5 (0.650)	3 (0.118)	
OTQ-208-0.5-09	208	0.5 (19.6mil)	max 4.5kg	30.6±0.15 (1.204)	28 (1.102)	30.6±0.15 (1.204)	28 (1.102)			45.6 (1.800)	45.6 (1.800)	16.5 (0.650)	3 (0.118)	
OTQ-208-0.5-10	208	0.5 (19.6mil)	max 4.5kg	30±0.1 (1.180)	max28.5 (1.121)	30±0.1 (1.180)	max28.5 (1.121)	29±0.1 (1.141)	29±0.1 (1.141)	45 (1.776)	45 (1.776)	16.5 (0.650)	3 (0.118)	

Applicable IC/QFPT • QFP OPEN TOP TYPE SOCKET

Side Loaded Type

Unit: mm (in)

PART NO.	PIN COUNT	PITCH	ACTUATION FORCE	APPLICABLE IC DIMENSIONS (REF.)						OUTSIDE DIMENSIONS (REF.)				REMARKS
				A	B	C	D	E	F	G	H	I	J	
OTQ-64-0.4-01	64	0.4 (15.7mil)	max 1.7kg	9±0.1 (0.354)	7±0.03 (0.276)	9±0.1 (0.354)	7±0.03 (0.276)	8±0.05 (0.315)	8±0.05 (0.315)	24 (0.945)	24 (0.945)	19±0.5 (0.748)	3 (0.118)	TQFP
OTQ-64-0.4-02	64	0.4 (15.7mil)	max 1.7kg											LQFP
OTQ-64G-0.4-03	64	0.4 (15.7mil)	max 1.7kg	9±0.1 (0.354)	7±0.03 (0.276)	9±0.1 (0.354)	7±0.03 (0.276)	8±0.05 (0.315)	8±0.05 (0.315)	24 (0.945)	24 (0.945)	19±0.5 (0.749)	3 (0.118)	Ground Pin
OTQ-64SG-0.5-**	64	0.5		12	10	12	10			26.2	26.6	16.5	2.6	Ground Pin
OTQ-80S-0.5-001	80	0.5	max 2.2kg	14±0.1 (0.552)	12±0.03 (0.412)	14±0.1 (0.552)	12±0.03 (0.412)			29 (1.142)	29 (1.142)	16.5 (0.650)	2.6 (0.102)	
OTQ-100S-0.5-001	100	0.5 (19.6mil)	max 2.5kg	16±0.1 (0.63)	14±0.03 (0.552)	16±0.1 (0.63)	14±0.03 (0.552)	15±0.1 (0.591)	15±0.1 (0.591)	31.9 (1.257)	31.9 (1.257)	16.5 (0.65)	2.6 (0.102)	
OTQ-128S-0.4-001	128	0.4												
OTQ-128SG-0.4-001	128	0.4		16	14	16	14			34	34	19	3	Ground Pin
OTQ-144S-0.5-001	144	0.5 (19.6mil)	max 3.8kg	22±0.1 (0.866)	20±0.05 (0.788)	22±0.1 (0.866)	20±0.05 (0.788)	21±0.1 (0.827)	21±0.1 (0.827)	37 (1.4578)	37 (1.4578)	16.5±0.5 (0.65)	2.6 (0.102)	
OTQ-144SG-0.5-001	144	0.5 (19.6mil)	max 4.0kg	22±0.1 (0.866)	20±0.05 (0.788)	22±0.1 (0.866)	20±0.05 (0.788)	21±0.1 (0.827)	21±0.1 (0.827)	37 (1.4578)	37 (1.4578)	16.5±0.5 (0.65)	2.6 (0.102)	Ground Pin
OTQ-176-0.5-06	176	0.5 (19.6mil)	max 3.3kg	26±0.1 (1.024)	24±0.03 (0.945)	26±0.1 (1.024)	24±0.03 (0.945)	25±0.1 (0.984)	25±0.1 (0.984)	36 (1.42)	36 (1.42)	17.1 (0.673)	2.2 (0.087)	
OTQ-176S-0.5-001	176	0.5		26	24.5	26	24.5			41	41	16.5	2.6	
OTQ-176SG-0.5-001	176	0.5		26	24.5	26	24.5			41	41	16.5	2.6	Ground Pin
OTQ-208SG-0.5-001	208	0.5		30	28	30	28			45	45	16.5	2.6	Ground Pin
OTQ-216(220)-0.4-01	216	0.4 (15.7mil)	max 5.0kg	26±0.1 (1.024)	24±0.03 (0.945)	26±0.1 (1.024)	24±0.03 (0.945)	25±0.05 (0.984)	25±0.05 (0.984)	41 (1.614)	41 (1.614)	19±0.5 (0.748)	3 (0.118)	
OTQ-216SG-0.4-001	216	0.4		26	24	26	24			41	41	19	3	Ground Pin
OTQ-256-0.4-01	256	0.4 (15.7mil)	max 5.0kg	30±0.1 (1.182)	28±0.03 (1.103)	30±0.1 (1.182)	28±0.03 (1.103)	29±0.05 (1.143)	29±0.05 (1.143)	45 (1.773)	45 (1.773)	19±0.5 (0.749)	3 (0.118)	