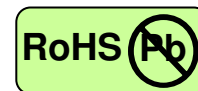


3 Gb/s Optical Video Transceiver



SFP Bi-Di, Single SC Connector, 1550 nm DFB LD for Single Mode Fiber, RoHS Compliant

Digital Diagnostics Functions, Extended Operating Temperature from -40 to +85°C



Features

- 1550 nm DFB LD
- Multi-rate: from 50 Mb/s to 3 Gb/s, NRZ
- Single +3.3 V Power Supply
- RoHS Compliant and Lead-free
- AC/AC Differential Electrical Interface
- Compliant with Multi-Source Agreement (MSA) Small Form Factor Pluggable (SFP)
- Compliant with SFF-8472 Digital Diagnostic Monitoring Interface
- Single SC Connector
- Supports video pathological patterns for SD-SDI, HD-SDI and 3G-SDI
- Eye Safety

Designed to meet Laser Class 1 comply with EN60825-1

Applications

- SMPTE 297-2006 compatible optical-to-electrical interfaces
- High-density video routers

Description

The CT-2500TBP-KB6C-E from Coretek Opto Corp. is a high performance and cost-effective module for serial optical data communication applications specified for multi-rate from 50 Mb/s to 3 Gb/s. It operates with a +3.3 V power supply. The module is intended for single mode fiber, operates at a nominal wavelength of Tx: 1550 nm / Rx: 1310 nm and complies with Multi-Source Agreement (MSA) Small Form Factor Pluggable (SFP). Each module has integrated digital diagnostics functions via an I²C serial interface.

The module is a single fiber connector transceiver designed for robust performance in the presence of SDI pathological patterns for SMPTE 259M, SMPTE 344M, SMPTE 292M and SMPTE 424M serial rates including SD-SDI compliant link at 270 Mb/s, HD-SDI compliant link at 1.485 Gb/s and 3G-SDI compliant link at 2.97 Gb/s. It provides extensive operational status monitoring through I²C interface. For the transceiver, output optical power, bias current, RX power, supply voltage and operating temperature are monitored. If a parameter monitored is outside the pre-defined range, the alarm flag associated with the parameter will be raised. The characteristics are performed in accordance with Telcordia Specification GR-468-CORE.

EMC

Most equipment utilizing high-speed transceivers will be required to meet the following requirements:

- 1) FCC in the United States
- 2) CENELEC EN55022 (CISPR 22) in Europe

To assist the customer in managing the overall equipment EMC performance, the transceivers have been designed to satisfy FCC class B limits and provide good immunity to radio-frequency electromagnetic fields.

Eye Safety

This laser based single mode transceiver is a CLASS 1 LASER PRODUCT, Hazard level 1. It complies with IEC 60825-1 Ed.2: 2007-03 and FDA performance standards for laser products (21 CFR 1040.10 and 1040.11) except for deviations pursuant to Laser Notice 50, dated June 24, 2007.

3 Gb/s Optical Video Transceiver



Product Information

Model Number	Operating Voltage & SD Output	LD Type & Wavelength	Output Power	Sensitivity
CT-2500TBP-KB6C-E	3.3 V TTL AC/AC	1550 nm DFB	-2 ~ +3 dBm	≤ -20 dBm

ABSOLUTE MAX RATINGS

PARAMETER	SYMBOL	MIN	MAX	UNIT	NOTE
Storage Temperature	T_S	-40	85	$^{\circ}\text{C}$	
Supply Voltage	V_{CC}	0	6	V	
Data Input Voltage	---	0	V_{CC}	V	
Supply Current	I_S		300	mA	

OPERATING CONDITIONS

PARAMETER	SYMBOL	MIN.	TYP.	MAX.	UNIT	NOTE
Case Operating Temperature	T_C	-40		85	$^{\circ}\text{C}$	
Supply Voltage	V_{CC}	3.1		3.5	V	
Data Input Voltage Swing	V_{ID}	300		1860	mV	

ELECTRICAL CHARACTERISTICS

PARAMETER	SYMBOL	MIN	MAX	UNIT	NOTE
Transmitter					
Transmitter Supply Current	I_{CCT}		200	mA	
Tx_Disable Input Voltage - Low	V_{IL}	0	0.8	V	
Tx_Disable Input Voltage - High	V_{IH}	2.0	V_{CC}	V	
Tx_Fault Output Voltage - Low	V_{OL}	0	0.8	V	
Tx_Fault Output Voltage - High	V_{OH}	2.0	V_{CC}	V	
Receiver					
Receiver Supply Current	I_{CCR}		100	mA	
Receiver Data Output Differential Voltage	V_{OD}	0.4	1.3	V	
Rx_LOS Output Voltage - Low	V_{OL}	0	0.8	V	
Rx_LOS Output Voltage - High	V_{OH}	2.0	V_{CC}	V	
MOD_DEF (1) , MOD_DEF (2) - Low	V_{IL}	-0.6	$V_{CC} \times 0.3$	V	
MOD_DEF (1) , MOD_DEF (2) - High	V_{IH}	$V_{CC} \times 0.7$	$V_{CC} + 0.5$	V	

TRANSMITTER ELECTRO-OPTICAL CHARACTERISTICS

PARAMETER	SYMBOL	MIN	TYP.	MAX	UNIT	NOTE
Optical Output Power	P_o	-2		+3	dBm	1
Extinction Ratio	ER	8.2			dB	
Center Wavelength	λ_c	1480		1580	nm	
Spectral Width (-20dB)	$\Delta \lambda$			1	nm	
Side Mode Suppression Ratio	SMSR	30			dB	
RIN	RIN			-117	dB/Hz	
Optical Rise time (20%-80%)	t_r			180	ps	2
Optical Fall time (20%-80%)	t_f			180	ps	2
Jitter Generation (peak to peak)				0.1	UI	
Output Eye		Compliant with ITU recommendation G.957				

3 Gb/s Optical Video Transceiver



RECEIVER ELECTRO-OPTICAL CHARACTERISTICS

PARAMETER	SYMBOL	MIN	TYP.	MAX	UNIT	NOTE
Maximum Input Optical Power	P_{max}	0			dBm	3
Minimum Input Optical Power	P_{min}			-20	dBm	3
Operating Wavelength	λ	1260		1360	nm	
Loss of Signal - Asserted	P_A	-35			dBm	
Loss of Signal - Deasserted	P_D			-20	dBm	
Loss of Signal - Hysteresis	$P_D - P_A$	0.5			dB	

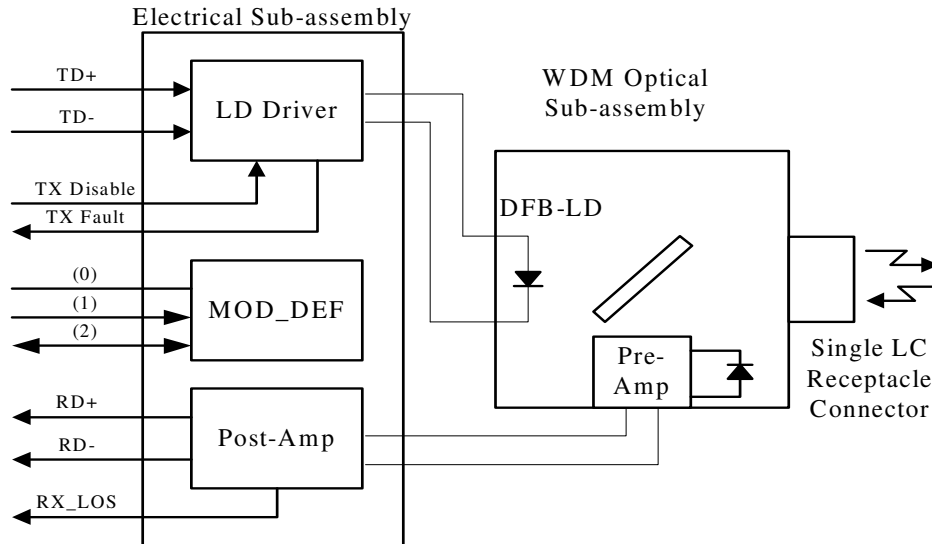
Notes:

1. Measured average power coupled into 9/125 μm single mode fiber.
2. These are 20-80% values.
3. Measured with $2^{23}-1$ PRBS at $\text{BER} < 10^{-10}$

TIMING CHARACTERISTICS

PARAMETER	SYMBOL	MIN	TYP.	MAX	UNIT	NOTE
TX_DISABLE Assert Time	t_{off}			10	μs	
TX_DISABLE Negate Time	t_{on}			1	ms	
Time to initialize, include reset of TX_FAULT	t_{init}			300	ms	
TX_FAULT from fault to assertion	t_{fault}			100	μs	
TX_DISABLE time to start reset	t_{reset}	10			μs	
Receiver Loss of Signal Assert Time (off to on)	t_{A,RX_LOS}			100	μs	
Receiver Loss of Signal Assert Time (on to off)	t_{D,RX_LOS}			100	μs	

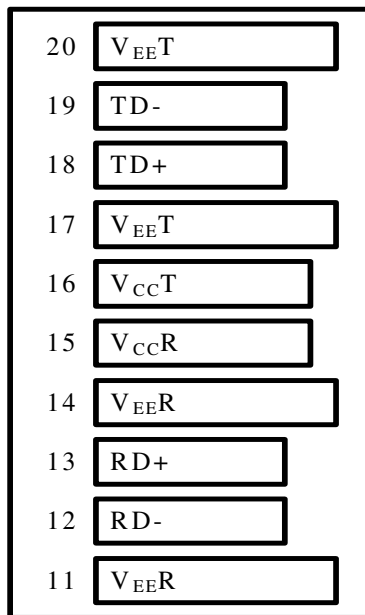
BLOCK DIAGRAM OF TRANSCEIVER



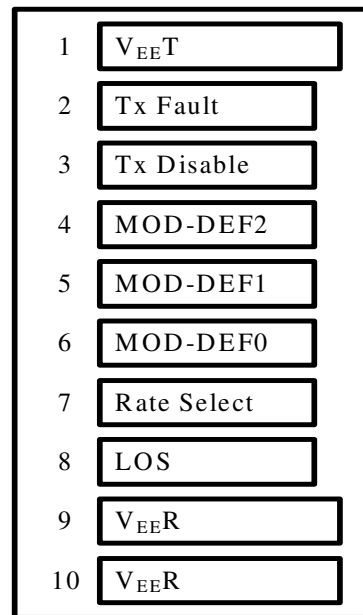
3 Gb/s Optical Video Transceiver



PIN OUT DIAGRAM OF TRANSCEIVER



Top of Board



Bottom of Board (As Viewed through Top of Board)

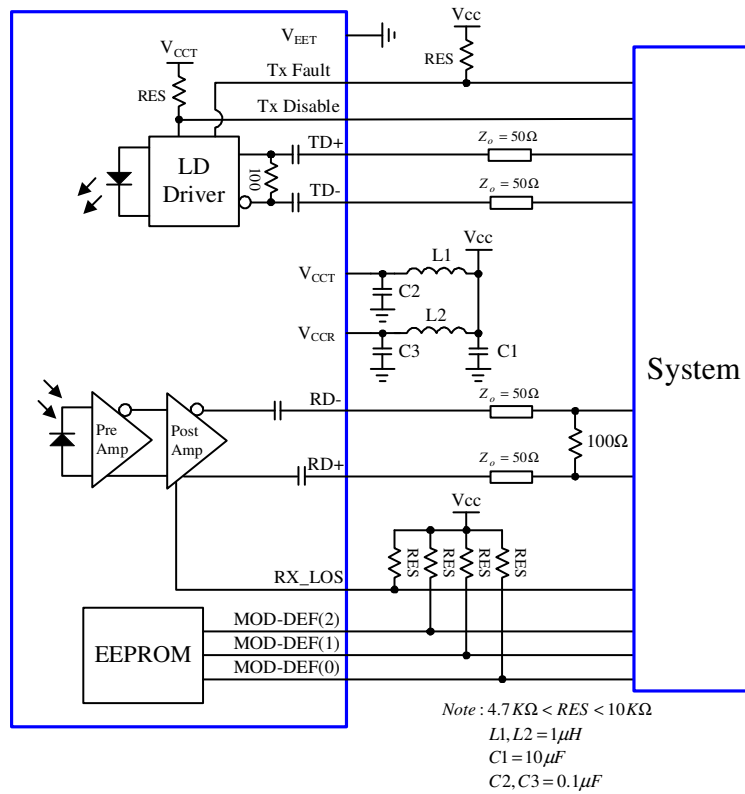
PIN OUT TABLE

Pin	Symbol	Functional Description
1	VeeT	Transmitter Ground
2	TX Fault	Transmitter Fault Indication
3	TX Disable	Transmitter Disable – Module disables on high or open
4	MOD-DEF(2)	Module Definition 2 – Two wire serial ID interface
5	MOD-DEF(1)	Module Definition 1 – Two wire serial ID interface
6	MOD-DEF(0)	Module Definition 0 – Grounded in module
7	Rate Select	Not Connected
8	LOS	Loss of Signal
9	VeeR	Receiver Ground
10	VeeR	Receiver Ground
11	VeeR	Receiver Ground
12	RD-	Inverse Received Data Out
13	RD+	Received Data Out
14	VeeR	Receiver Ground
15	VccR	Receiver Power
16	VccT	Transmitter Power
17	VeeT	Transmitter Ground
18	TD+	Transmitter Data In
19	TD-	Inverse Transmitter Data In
20	VeeT	Transmitter Ground

3 Gb/s Optical Video Transceiver

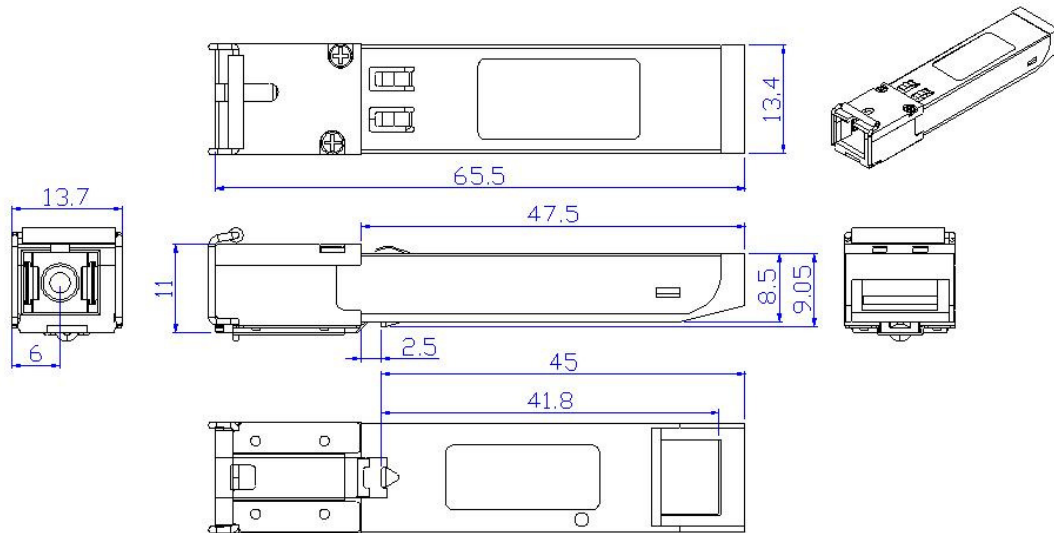


RECOMMENDED CIRCUIT SCHEMATIC



MECHANICAL DIMENSIONS

Units in mm



All dimensions are $\pm 0.2\text{mm}$ unless otherwise specified.

Claim:

CORETEK Opto Corp. reserves the right to make changes in the specification described hereinafter without prior notice.