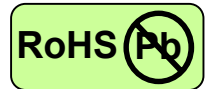


155Mbps ATM-Single Mode Transceiver



SFP, Duplex LC Connector, CWDM LD for Single Mode Fiber, RoHS Compliant

Power Budget 33dB



Applications

- CWDM
- Fast Ethernet
- FDDI
- ATM/SONET OC-3/SDH STM-1
- Single mode fiber links
- Optical-Electrical Interface Conversion

Features

- CWDM 8 wavelengths Transmitter
- Data Rate: 155Mbps, NRZ
- Single +3.3V Power Supply
- RoHS Compliant and Lead-free
- AC/AC Differential Electrical Interface
- Compliant with Multi-Source Agreement (MSA) Small Form Factor Pluggable (SFP)
- Duplex LC Connector
- Compliance with 100Base-FX of IEEE802.3u Standard
- Compliance with FDDI PMD Standard
- Compliance with ATM Standard

Description

The CT-0155TSP-CB9L series from Coretek Opto Corp. are the high performance and cost-effective modules for serial optical data communication applications specified for single mode of 155 Mb/s. It operates with +3.3V power supply. The module is intended for Single-mode fiber, operates at a nominal wavelength of CWDM and complies with Multi-Source Agreement (MSA) Small Form Factor Pluggable (SFP). Each module consists of a transmitter optical subassembly, a receiver optical subassembly and an electrical subassembly. All of them are housed in a plastic package and the combination produces a reliable component.

The module is a duplex LC connector transceiver designed to provide an ATM/SONET OC-3/SDH STM-1 compliant link for 155 Mb/s long reach applications. The characteristics are performed in accordance with ITU-T G.694.2 and G.695.

EMC

Most equipment utilizing high-speed transceivers will be required to meet the following requirements:

- 1) FCC in the United States
- 2) CENELEC EN55022 (CISPR 22) in Europe

To assist the customer in managing the overall equipment EMC performance, the transceivers have been designed to satisfy FCC class B limits and provide good immunity to radio-frequency electromagnetic fields.

Eye Safety

The transceivers have been designed to meet Class 1 eye safety and comply with EN 60825-1.

155Mbps ATM-Single Mode Transceiver



Product Information

Model Number	Wavelength	Latch Color	Operating Voltage & SD Output	Distance	Output Power	Sensitivity
CT-0155TSP-CB9L	1470 nm	Gray	3.3V TTL AC/AC	100 km	-3 ~ +2 dBm	≤ -36 dBm
	1490 nm	Violet				
	1510 nm	Blue				
	1530 nm	Green				
	1550 nm	Yellow				
	1570 nm	Orange				
	1590 nm	Red				
	1610 nm	Brown				

ABSOLUTE MAX RATINGS

PARAMETER	SYMBOL	MIN	MAX	UNIT	NOTE
Storage Temperature	T _S	-40	85	°C	
Supply Voltage	V _{CC}	0	6	V	
Data Input Voltage	---	0	V _{CC}	V	

OPERATING CONDITIONS

PARAMETER	SYMBOL	MIN.	TYP.	MAX.	UNIT	NOTE
Case Operating Temperature	T _A	0		70	°C	
Supply Voltage	V _{CC}	3.1		3.5	V	
Data Input Voltage Swing	V _{ID}	400		1600	mV	

ELECTRICAL CHARACTERISTICS

PARAMETER	SYMBOL	MIN	MAX	UNIT	NOTE
Transmitter					
Transmitter Supply Current	I _{CC} T		200	mA	
Tx_Disable Input Voltage - Low	V _{IL}	0	0.8	V	
Tx_Disable Input Voltage - High	V _{IH}	2.0	V _{CC}	V	
Tx_Fault Output Voltage - Low	V _{OL}	0	0.8	V	
Tx_Fault Output Voltage - High	V _{OH}	2.0	V _{CC}	V	
Receiver					
Receiver Supply Current	I _{CC} R		100	mA	
Receiver Data Output Differential Voltage	V _{OD}	0.4	1.3	V	
Rx_LOS Output Voltage - Low	V _{OL}	0	0.8	V	
Rx_LOS Output Voltage - High	V _{OH}	2.0	V _{CC}	V	
MOD_DEF (1) , MOD_DEF (2) - Low	V _{IL}	-0.6	V _{CC} × 0.3	V	
MOD_DEF (1) , MOD_DEF (2) - High	V _{IH}	V _{CC} × 0.7	V _{CC} + 0.5	V	

155Mbps ATM-Single Mode Transceiver



TRANSMITTER ELECTRO-OPTICAL CHARACTERISTICS

PARAMETER	SYMBOL	MIN	TYP.	MAX	UNIT	NOTE
Optical Output Power	P _o	-3		2	dBm	1
Extinction Ratio	ER	10			dB	
Center Wavelength	λ_c	1464.5	1470	1477.5	nm	
		1484.5	1490	1497.5		
		1504.5	1510	1517.5		
		1524.5	1530	1537.5		
		1544.5	1550	1557.5		
		1564.5	1570	1577.5		
		1584.5	1590	1597.5		
		1604.5	1610	1617.5		
Spectral Width (-20dB)	$\Delta \lambda$			1	nm	
Side Mode Suppression Ratio	SMSR	30			dB	
Optical Rise time (10%-90%)	t _r			2.0	ns	
Optical Fall time (10%-90%)	t _f			2.0	ns	
Output Eye		Compliant with ITU recommendation G.957				

RECEIVER ELECTRO-OPTICAL CHARACTERISTICS

PARAMETER	SYMBOL	MIN	TYP.	MAX	UNIT	NOTE
Maximum Input Optical Power	P _{max}	-3			dBm	2
Receiver Sensitivity	P _{min}			-36	dBm	2
Operating Wavelength	λ	1260		1620	nm	
Loss of Signal - Asserted	P _A	-45			dBm	
Loss of Signal - Deasserted	P _D	P _A +0.5		-35	dBm	
Loss of Signal - Hysteresis	P _D -P _A	0.5		4	dB	

Notes:

1. Measured average power coupled into 9/125 μ m single mode fiber.
2. Measured with 2²³-1 PRBS at BER<10⁻¹⁰

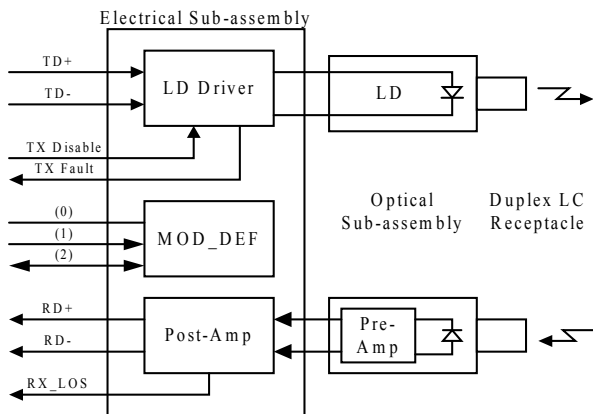
TIMING CHARACTERISTICS

PARAMETER	SYMBOL	MIN	TYP.	MAX	UNIT	NOTE
TX_DISABLE Assert Time	t _{off}			10	μ s	
TX_DISABLE Negate Time	t _{on}			1	ms	
Time to initialize, include reset of TX_FAULT	t _{init}			300	ms	
TX_FAULT from fault to assertion	t _{fault}			100	μ s	
TX_DISABLE time to start reset	t _{reset}	10			μ s	
Receiver Loss of Signal Assert Time (off to on)	t _{A,RX LOS}			100	μ s	
Receiver Loss of Signal Assert Time (on to off)	t _{D,RX LOS}			100	μ s	

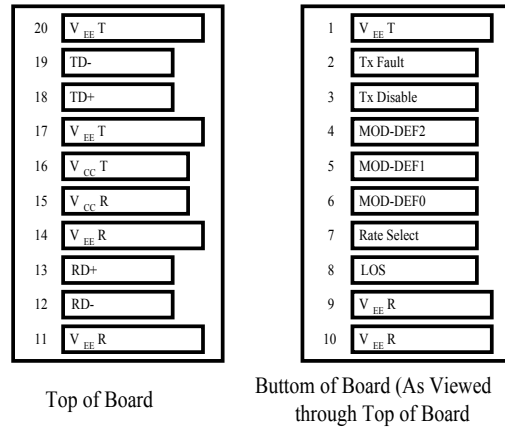
155Mbps ATM-Single Mode Transceiver



BLOCK DIAGRAM OF TRANSCEIVER



PIN OUT DIAGRAM OF TRANSCEIVER



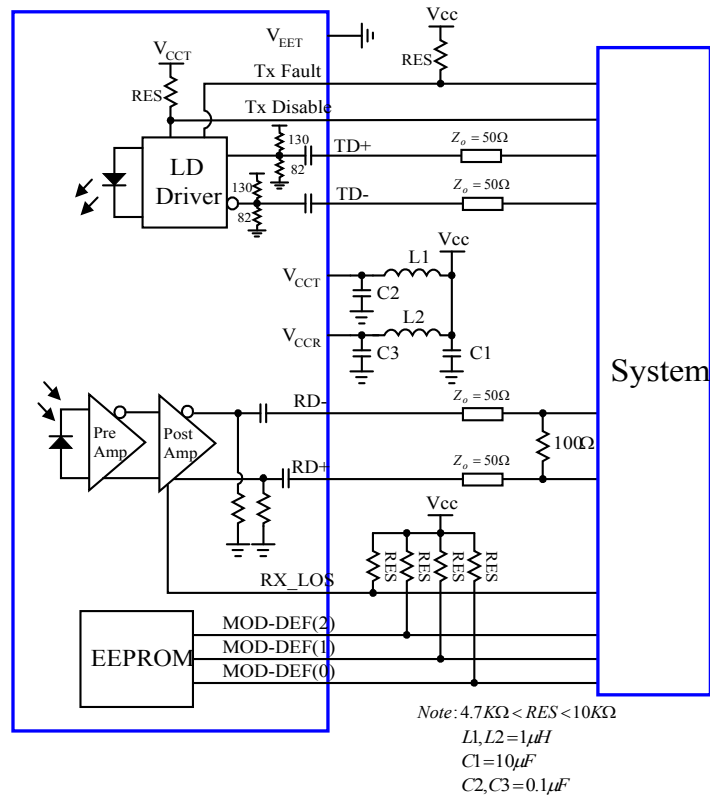
PIN OUT TABLE

Pin	Symbol	Functional Description
1	VeeT	Transmitter Ground
2	TX Fault	Transmitter Fault Indication
3	TX Disable	Transmitter Disable – Module disables on high or open
4	MOD-DEF(2)	Module Definition 2 – Two wire serial ID interface
5	MOD-DEF(1)	Module Definition 1 – Two wire serial ID interface
6	MOD-DEF(0)	Module Definition 0 – Grounded in module
7	Rate Select	Not Connected
8	LOS	Loss of Signal
9	VeeR	Receiver Ground
10	VeeR	Receiver Ground
11	VeeR	Receiver Ground
12	RD-	Inverse Received Data Out
13	RD+	Received Data Out
14	VeeR	Receiver Ground
15	VccR	Receiver Power
16	VccT	Transmitter Power
17	VeeT	Transmitter Ground
18	TD+	Transmitter Data In
19	TD-	Inverse Transmitter Data In
20	VeeT	Transmitter Ground

155Mbps ATM-Single Mode Transceiver

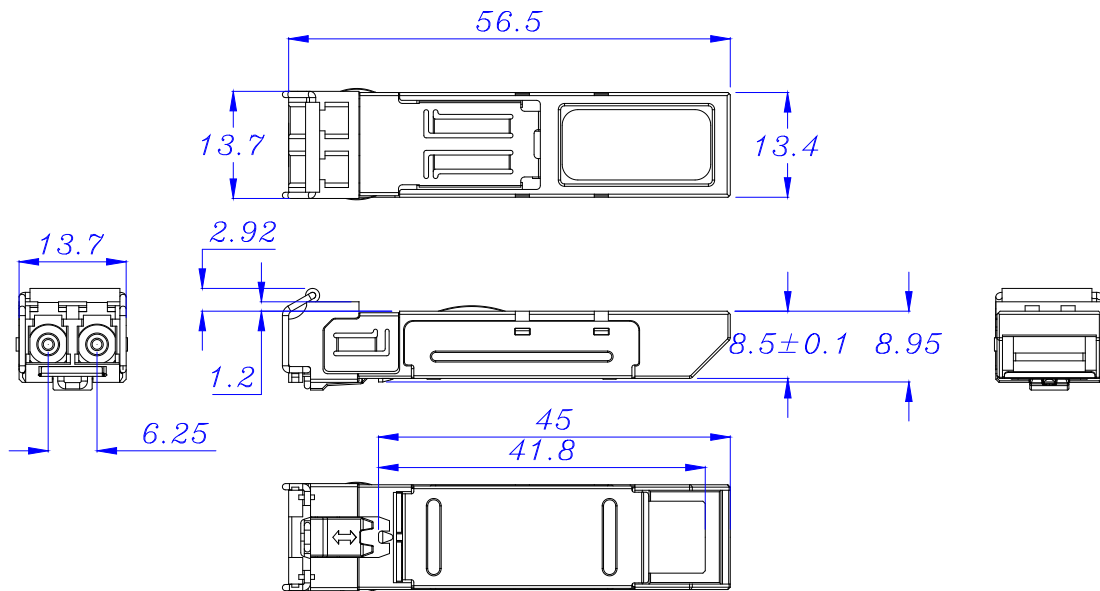


RECOMMENDED CIRCUIT SCHEMATIC



MECHANICAL DIMENSIONS

Units in mm



All dimensions are $\pm 0.2\text{mm}$ unless otherwise specified.

Claim:

CORETEK Opto Corp. reserves the right to make changes in the specification described hereinafter without prior notice.