

# MLC 5-21"/23"

*All-in-One High-Performance Medical Panel Computer with 5th Generation Intel® Core™ Processor for Demanding Medical Applications*

## Features

- All-in-one high-performance medical panel computer with 5th generation Intel® Core™ i7 processor
- 21.5" or 23.8" Full HD display with optically bonded PCAP multi-touch touchscreen and anti-glare coated safety glass for unsurpassed visualization capabilities
- Fully sealed aluminium housing and fanless design for high hygienic standards with IP65 rated fluid protection, providing easy cleaning and resistance to common medical disinfection procedures
- Versatile I/O interfaces including galvanically isolated options for unrestricted flexibility to meet application requirements



## Specifications

### System

CPU	Quad-core Intel® Core™ i7- 5700EQ 2.6 GHz (Turbo 3.4 GHz)
Chipset	Intel® QM87 Chipset
Graphics	Intel® HD Graphics 5600 (supports up to 2 external displays)
RAM	Up to 16 GB DDR3L 1600MHz
Memory Cache	6MB
Storage	128GB SSD (optional 500GB HDD)

### Interfaces

I/O	2x RS-232, 4kV isolated (up to 4x optional)
	2x Ethernet 10/100/1000Mbit/s, 4kV isolated
User Interface	2x USB 2.0 (4kV isolated optional)
	2x USB 3.0
	2x DisplayPort, max. res. 3840x2160, 60Hz
	1x PCIe x16 expansion slot
	Audio Line-out / Mic-in
User Interface	5-key membrane keypad; available functions:
	- Standby ON/OFF
	- Panel brightness increase
	- Panel brightness decrease
	- Touch cleaning enable/disable
- Call additional function (customizable)	

### Electrical

Power	100 - 240 V AC, 50 / 60 Hz
-------	----------------------------

### Display

TFT Panel	21.5" / 23.8" Full HD 1920x1080 res., 16.7 million colours
Luminance	250 cd/m <sup>2</sup>
Viewing Angle V/H	176°/176° (21.5"); 178°/178° (23.8")

### Mechanical

Dimensions (WxHxD)	21.5" 532x324x83 mm / 23.8" 583x352x83 mm
Weight (approx.)	21.5" 8.5 kg / 23.8" 10.6 kg
Housing	Aluminium powder coated
Mounting	VESA 100

### Environmental

Operating	0°C to +35°C, 10% to 90% rel. humidity (non-condensing)
Storage	-10°C to +60°C, 5% to 95% rel. humidity (non-condensing)
Ingress Rating	IP65 protection from 5-sides (6-sides with cable cover attached)

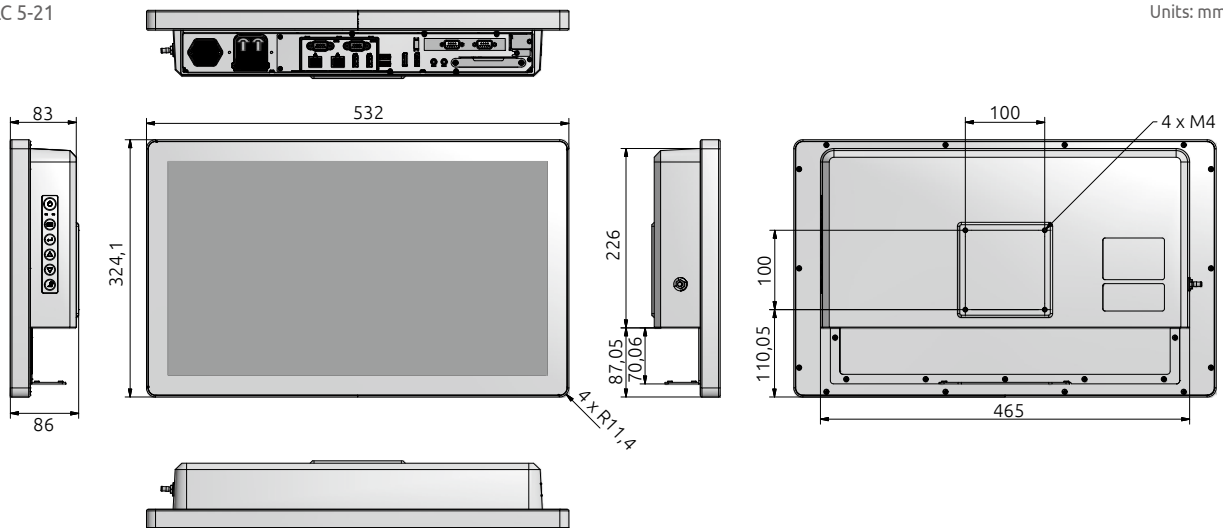
### Certificates

IEC 60601-1:2012
EN 60601-1:2006/A11:2011
IEC 60601-1-2:2007/EN 60601-1-2:2007
EN 55022:2010 + AC:2011
EN 61000-3-2:2006 + A1:2009 + A2:2009
EN 61000-3-3:2013
EN 55024:2010
RoHS compliant

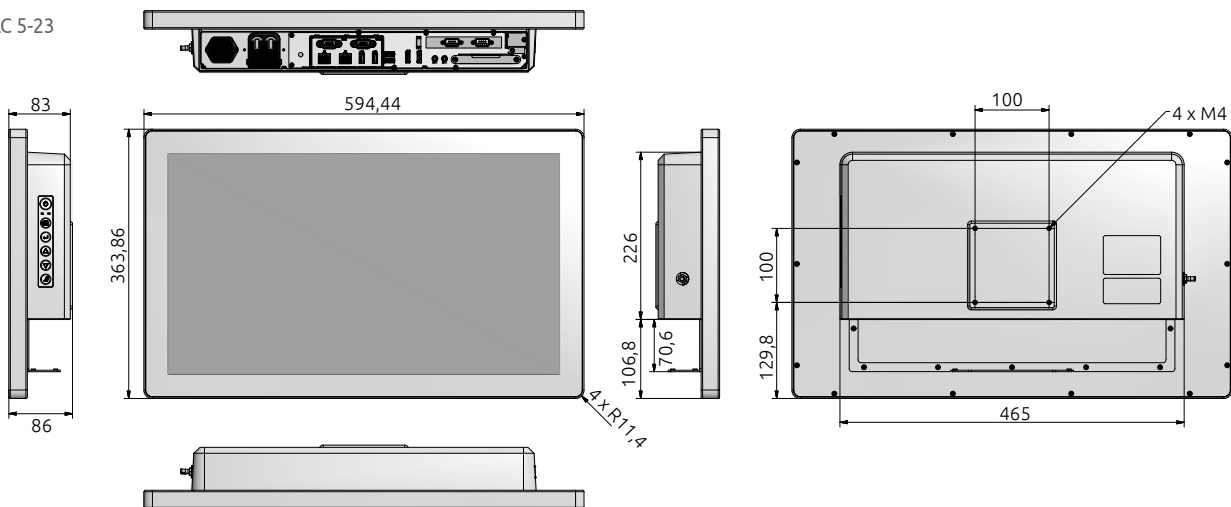
## Dimensions

MLC 5-21

Units: mm



MLC 5-23



## Optional Accessories

Item
Windows 7 Prof. 32-bit German
Windows 7 Prof. 64-bit German
Windows 7 Ultim. 32-bit English / multi language
Windows 7 Ultim. 64-bit English / multi language
Optional 2x RS-232 (COM3, COM4) with 4kV isolation (2x additional RS-232 ports)
Optional WLAN module, including Bluetooth functionality
Optional PCIe x16 riser card
Optional 16GB DDR3 RAM (total capacity)
Optional battery backup package, up to approx. 10min capacity
Optional 2x USB 2.0 with 4kV isolation (replacing 2x standard USB 2.0)

\* For HDD and SSD storage options, please contact your ADLINK sales representative.