

REVISIONS				
REV	ECN	DESCRIPTION	DATE	APPROVED
E		PART # TABLE REVISED	SEP 15/09	ZLJ
F		DETAIL J ADDED	JAN 15/10	ZLJ
G		SPRING FINGER DIMENSION Y 47 ADDED IN SHEET 2	JAN 15/11	ZLJ

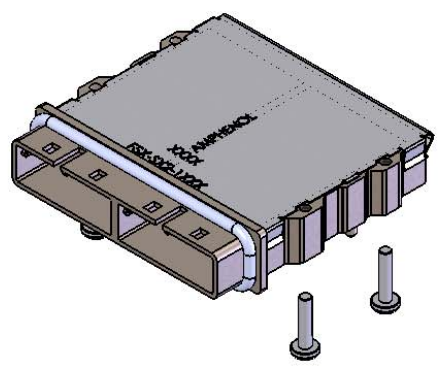
FS2-SF2-1XXX

MOUNTING SCREW OPTION
1 = 8 mm MOUNTING SCREW SHIPPED BULK IN SAME TRAYS WITH CAGE ASSEMBLIES
2 = NO MOUNTING SCREW SUPPLIED
3 = 10 mm MOUNTING SCREW WITH LOCK WASHER SHIPPED BULK IN SAME TRAYS WITH CAGE ASSEMBLIES

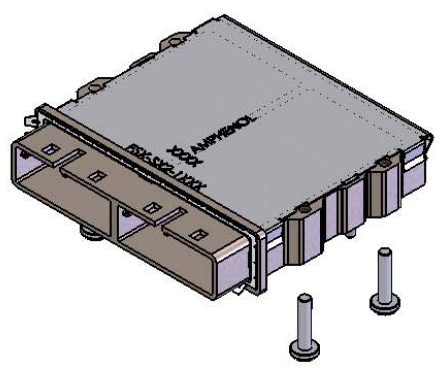
GASKET OPTION
E = STAINLESS STEEL EMI GASKET
F = FOAM, CHOMERICS SOFT SHIELD 4800, EMI GASKET
C = CONDUCTIVE ELASTOMER, CHOMERICS S6305

KEYING OPTION (SEE BELOW TABLE FOR FURTHER CLARIFICATION)
0 = NO KEY
1 = KEY #1 (IN ALL PORTS)
2 = KEY #2 (IN ALL PORTS)
4 = KEY #4 (IN ALL PORTS)
6 = KEY #6 (IN ALL PORTS)
7 = KEY #7 (IN ALL PORTS)
D22 = KEY #2 AND #4 (IN ALL PORTS)
D66 = KEY #4 AND #6 (IN ALL PORTS)
D26 = KEY #2 AND #4 IN LEFT PORT / KEY #4 AND #6 IN RIGHT PORT
D62 = KEY #4 AND #6 IN LEFT PORT / KEY #2 AND #4 IN RIGHT PORT

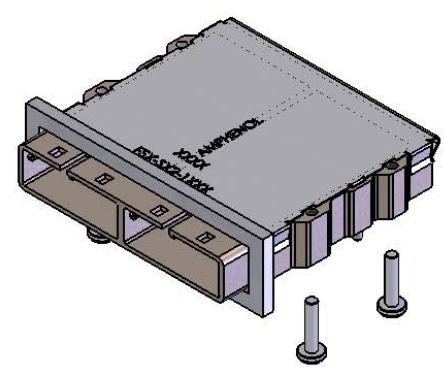
Left Key Option	Right Key Option	Part Number	Description
0	0	FS2-SF2-10XX	No Key
1	1	FS2-SF2-11XX	SATA 'X' Cable
4	4	FS2-SF2-14XX	SAS Universal Port
7	7	FS2-SF2-17XX	SATA 'M' Cable
2,4	2,4	FS2-SF2-1D22XX	SAS Out Port
4,6	4,6	FS2-SF2-1D66XX	SAS In Port
2,4	4,6	FS2-SF2-1D26XX	SAS Out/In Port
4,6	2,4	FS2-SF2-1D62XX	SAS In/Out Port



PART NUMBER: **FS2-SF2-14C1** SHOWN
 (CAGE ASSEMBLY WITH ELASTOMERIC GASKET AND 8mm MOUNTING SCREWS SHIPPED BULK)



PART NUMBER: **FS2-SF2-14E1** SHOWN
 (CAGE ASSEMBLY WITH STAINLESS STEEL GASKET AND 8mm MOUNTING SCREWS SHIPPED BULK)



PART NUMBER: **FS2-SF2-14F1** SHOWN
 (CAGE ASSEMBLY WITH FOAM GASKET AND 8mm MOUNTING SCREWS SHIPPED BULK)



DO NOT SCALE DRAWING

THIS DOCUMENT CONTAINS PROPRIETARY INFORMATION AND SUCH INFORMATION MAY NOT BE DISCLOSED TO OTHERS FOR ANY PURPOSE OR USED FOR MANUFACTURING PURPOSES WITHOUT PERMISSION FROM AMPHENOL CANADA CORP.

UNLESS OTHERWISE SPECIFIED DIMENSIONS ARE IN MILLIMETERS TOLERANCES ARE: DECIMAL: X ± 0.25 ANGLES: XXX ± 0.10 XXX ± 0.05 MATERIAL AND FINISH		APPROVALS DRAWN: ZLJ DESIGNED: ZLJ CHECKED: CAL APP'D:	DATE FEB 04/09 FEB 04/09	Amphenol Canada Corp. TITLE: MINI SAS "0" DEGREE 2 PORT CAGE WITH GUIDE KEYWAY FOR SAS 2.0
ENGR. NO. EAR 123XX	E APP'D	SCALE NTS	PROJECT SFF	DWG. NO. P-FS2-SF2-1XXX REV G
CODE IDENT NO. 03554	DWG APP'D		SHEET 1 OF 2	

