

DESCRIPTION

The ALM3 series of 1310nm DFB laser modules is intended for use in the transmission of broadband analog signals. The high linearity makes them especially suitable for CATV broadcast and narrowcast applications. All critical components, including optical isolator, TEC, thermistor, laser, and monitor photodiode are hermetically sealed in a butterfly package.

FEATURES

- Directly modulated DFB lasers
- OC-48 compatible pinouts
- 110 channel NTSC loading
- Internal TEC, thermistor & monitor PD
- 14 pin butterfly package
- Up to 15 dBm (31mW) optical output power


APPLICATIONS

- 1310 broadcast and narrowcast applications
- CATV forward path
- RF over fiber

MODEL NUMBERS:

MODEL #s	ALM3-L	ALM3-M	ALM3-H	ALM3-U1	ALM3-U2
Output Power	<10 dBm	10-12 dBm	12-13 dBm	14 dBm	15 dBm

Note:

- Modules come with SC/APC connectors (default); for FC/APC connectors, please add -F in model number – i.e., ALM3-L-F

OPTICAL FIBER and PIN LEAD SPECIFICATIONS

- Type: SMF-28 fiber, flame retardant Hytrel coating, 0.9 mm diameter
- Length: 1-meter minimum
- Nominal Pin Lead Length: 5mm (from external package wall)

ELECTRO-OPTICAL CHARACTERISTICS
(T=25°C, unless otherwise specified)

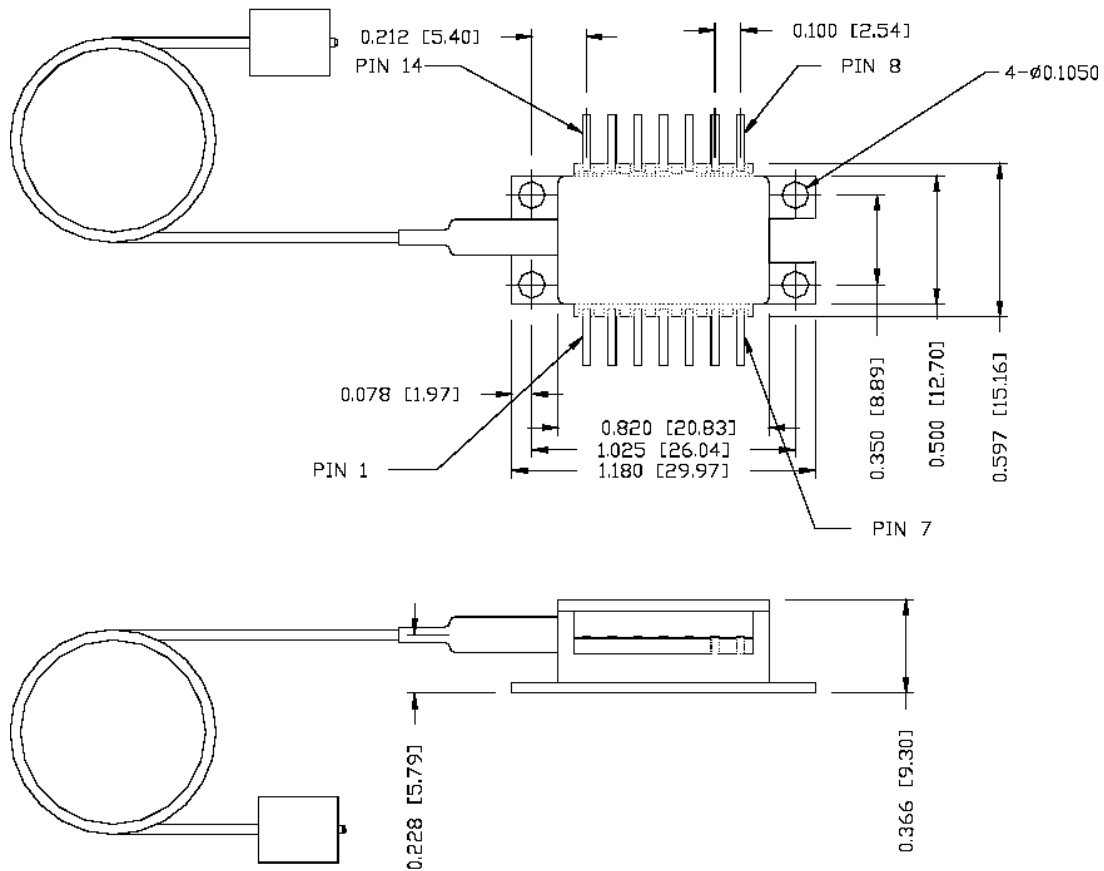
PARAMETER	SYMBOL	CONDITIONS	MIN	MAX	UNIT
Threshold Current	I_{TH}		--	20	mA
Operating Temperature	T_{OP}	$I_F = I_{OP}$	25		°C
Operating Current	I_{OP}		-	100	mA
Operating Voltage	V_{OP}		--	2.1	V
Operating Output Power	P_o	See Model #s	-	-	-
Monitor PD Responsivity	R_{MPD}	--	10	200	$\mu A/mW$
Dark Current	I_D	$I_{OP} = 0$ mA	--	0.2	μA
Operating Wavelength	λ_{OP}	$I_F = I_{OP}, T = T_{OP}$	1305	1314	nm
Side Mode Suppression	SMSR	$I_F = I_{OP}$	35	--	dB
Optical Isolation	ISO		30	--	dB
Optical Return Loss	ORL		40	--	dB
Nominal Input Impedance	Z_{IN}	Typical	25		Ohm
Bandwidth			1.1		GHz
TEC Case Temp Range	T_C		-40	70	°C
TEC Current	I_{TEC}	$-40 < T_C < 70^\circ C, I_f = 100$ mA	-1.5	1.5	A
Thermistor Resistance	R_{TH}		9.5	10.5	k Ω
TE Cooler Voltage	V_{TH}	$T_{OP} = 25^\circ C$ over T_C	-2.5	2.5	V
Composite 2 nd Order	CSO	See Note (1) Below	--	-57	dBc
Composite Triple Beat	CTB		--	-65	dBc
Carrier to Noise Ratio	C/N		51	--	dB
Relative Intensity Noise	RIN		--	-145	dB/Hz

Note (1):

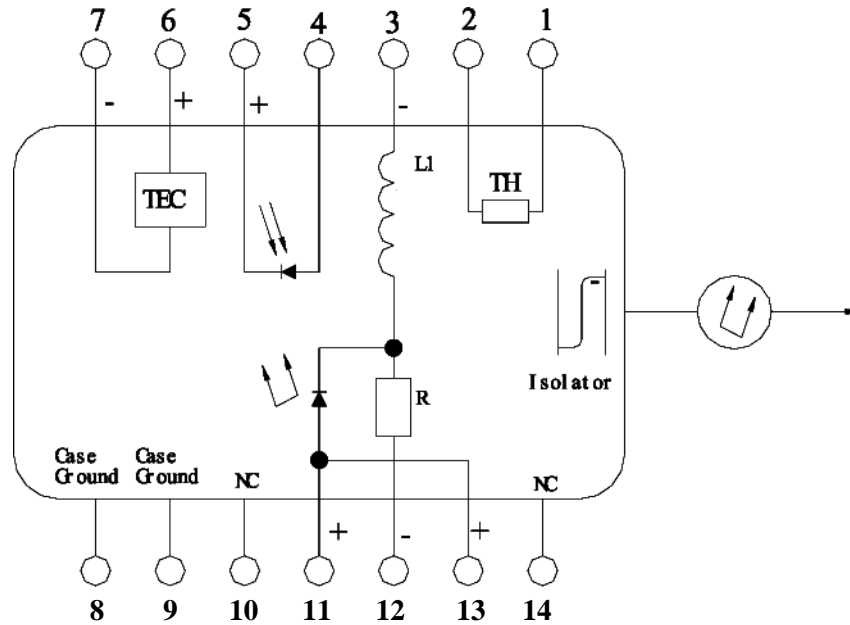
Test conditions: P_o at rated power, 110 unmodulated NTSC carriers, -1 dBm received power, fiber links 15 km (ALM3-L), 20 km (ALM3-M), 25 km (ALM3-H), 30 km (ALM3-U1 and ALM3-U2)

MAXIMUM RATINGS (T=25°C, unless otherwise specified)

PARAMETER	CONDITION	LIMIT
Storage Temperature	--	-40 to +85°C
Monitor Photodiode Reverse Voltage	60 seconds	15 V
	Continuous	10 V
Forward DC Laser Current	Continuous	150 mA
Reverse DC Laser Voltage	Continuous	1 V
TE Cooler current	Continuous	-1.9A to 1.9 A

MECHANICAL DRAWINGS


Unit : Inch [mm]



PIN ASSIGNMENTS			
Pin #	Function	Pin #	Function
1	Thermistor	8	Case Ground
2	Thermistor	9	Case Ground
3	DC Laser Bias (-)	10	NC
4	MPD Anode	11	Laser Common (+)
5	MPD Cathode	12	Laser Modulation (-)
6	TEC (+)	13	Laser Common (+)
7	TEC (-)	14	NC