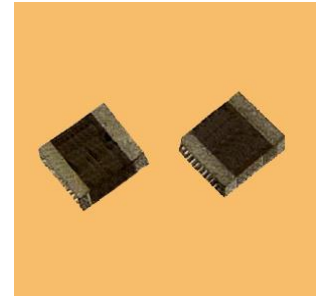
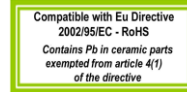


ACT Series: ZTACS

Surface Mount Ceramic Resonator (Two pad, No built in Capacitor)

Features

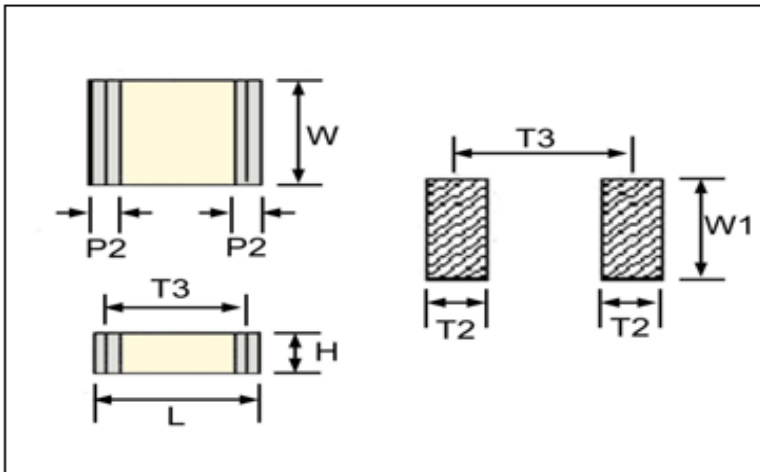
- Two pad surface mount Ceramic resonator
- No built in capacitors
- Excellent temperature range
- Resonator vibrating mode: MT = Thickness expander mode
 MX = Thickness expander mode (3rd Overtone)



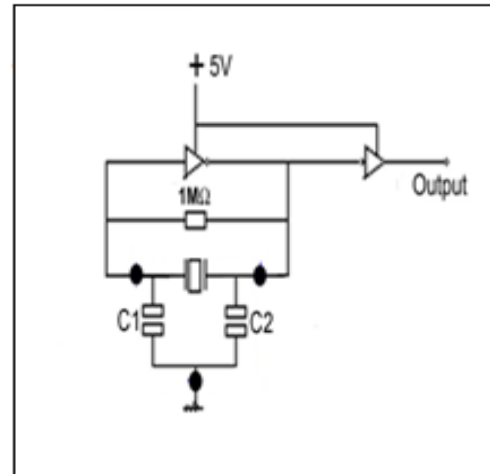
Specification

Type	Frequency Range (MHz)	Frequency Tolerance (25°C) (%)	Stability over Temp. Range (-25 ~ +85°C) (%)	Operating Temperature (°C)	Aging over 10 Years (%)	Notes
ZTACS_MT	6.0 ~ 13.0	±0.5	±0.4	-25 ~ +85°C	±0.3	Fundamental mode
ZTACS_MX	13.01 ~ 60.0	±0.5	±0.3	-25 ~ +85°C	±0.3	3rd Overtone mode

Dimensions



Test Circuit



Dimension Table (Unit: mm)									Test Circuit Parameters:
Part Type	Frequency	L	W	H	P2	T1	T3	W1	IC (MT) 1/6TC4069UBP x 2
		±0.2	±0.2	MAX	±0.2	±0.2	±0.2	±0.2	IC (MX) 1/6TC74HCU04 x 2
ZTACS_MT	4.0 ~ 8.0	4.7	4.1	1.6	0.8	0.8	2.0	5.1	C1=C2(MT): 30pF
ZTACS_Mx									C1=C2(MX): 30pF(13.01~20.0MHz)
									C1=C2(MX): 15pF(20.01~25.99MHz)
									C1=C2(MX): 5pF(26.0~60.0MHz)
									VDD = +5V

Important note when using Ceramic resonators with microcontrollers

Some resonator parameters vary considerably with frequency and physical construction/size. These differences are too great to be able to be practically shown in a data sheet.

However, these parameters can be critical when the resonators are used with microcontrollers. Even if two different resonators appear to have the same specification the typical values of these critical parameters can be considerably different. When enquiring about resonators for use with microcontrollers it is important to supply the make and part number of the IC to be used and/or the list of recommended resonators, if this is given.

Issue 14 - C1r - 16/06/2014

In line with our ongoing policy of product evolution and improvement, the above specification may subject to change without notice

ISO9001 Registered

For quotations or further information please contact us at:
 3 The Business Centre, Molly Millars Lane, Wokingham, Berkshire, RG41 2EY, UK
<http://www.actcrystals.com>

ACT Series: ZTACS

**Surface Mount Ceramic Resonator
 (Two pad, No In built Capacitor)**

COMMODITY CODE
 854160 00 00

PART NUMBERING & COMMODITY CODE

Standard (Popular) Specifications Highlighted in Yellow - Others available please check Note.3

ZTACS	8.00	M	N	F	L	PF
ZTACS_MT	Frequency	MHz	Freq.Tol. 0.5%	Stability:±0.3%,-25~+85°C	Loose	RoHS v
①	②	③	④	⑤	⑥	⑦

①

ACT Series	Code
ZTACS_MT	ZTACS
ZTACS_MX	

② Frequency
 Use full frequency including decimal point.

③

Unit	Code
MHz	M

Example Full Part Number
 For 6.00MHz Order ZTACS6.00MNFL-PF

④

Freq. Tolerance	Code
2kHz	R
1kHz	P
0.70%	T
0.50%	N
0.40%	S
0.30%	O
0.25%	Q
Note 3	

⑤

Stability	Code
±0.5%, -20~+85°C	A
±0.4%, -20~+85°C	B
±0.3%, -20~+85°C	C
±0.2%, -20~+85°C	D
±0.1%, -20~+85°C	E
±0.2%, -25~+85°C	H
±0.3%, -25~+85°C	F
±0.4%, -25~+85°C	M
±0.3%, -40~+70°C	G
±0.5%, -40~+85°C	I
±0.4%, -40~+85°C	J
±0.3%, -40~+85°C	K
±0.25%, -40~+85°C	L
±0.5%, -40~+105°C	P
±0.4%, -40~+105°C	Q
±0.3%, -40~+105°C	R
±0.2%, -40~+105°C	S
±0.5%, -40~+125°C	V
±0.4%, -40~+125°C	W
±0.3%, -40~+125°C	X
±0.2%, -40~+125°C	Y
Note 3	

⑥

Tape & Reel	Code
4000	F
3000	D
1000	C
Loose	L

⑦

RoHS	Code
Approved v	PF

Notes:

- 1) Tighter Stabilities, tolerances, Output Loads and Operating Temperature Ranges may be available. As each of these specification parameters may impact on each other, it is not always possible to combine all options in one device. Therefore, if a specification not catered for above is required, please contact us directly for assistance.
- 2) ACT are always happy to consider truly custom specification parts which may require non-standard specification parameters, specific testing, customer requested AQL requirements, non standard packaging or taping and reeling and custom marking. (MOQ DEPENDENT) Such devices would normally be allocated a custom specification

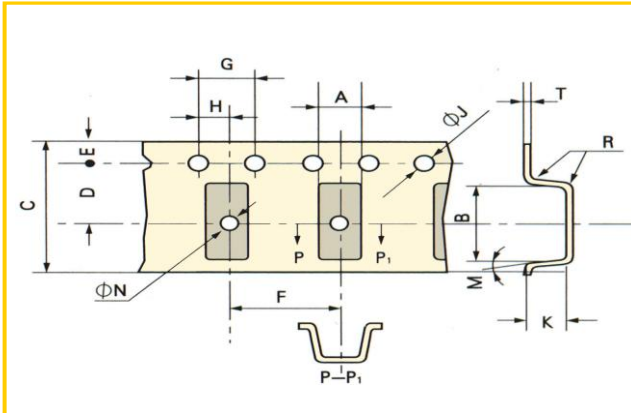
(An 'ACT ZTACS_MT' type device may have part number such as ZTACS6.00-C1501-PF).

- 3) Enquire if a stability and / or tolerance other than the standard(s) highlighted in yellow is required.

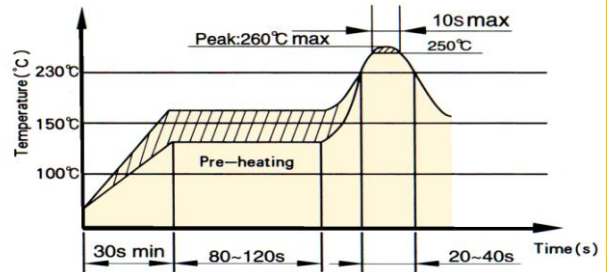
ACT Series: ZTACS

Surface Mount Ceramic Resonator (Two pad, No built in Capacitor)

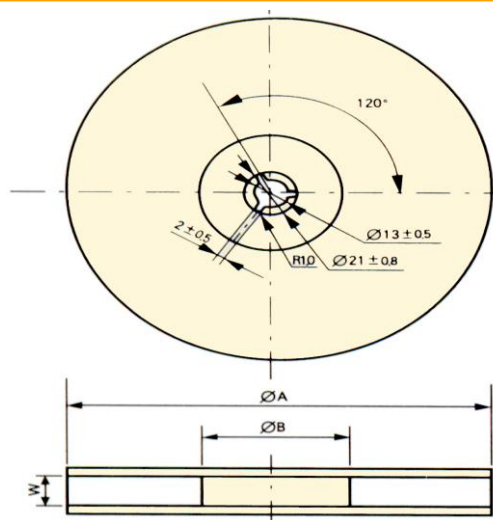
Tape and Reel Dimensions, Soldering Information:



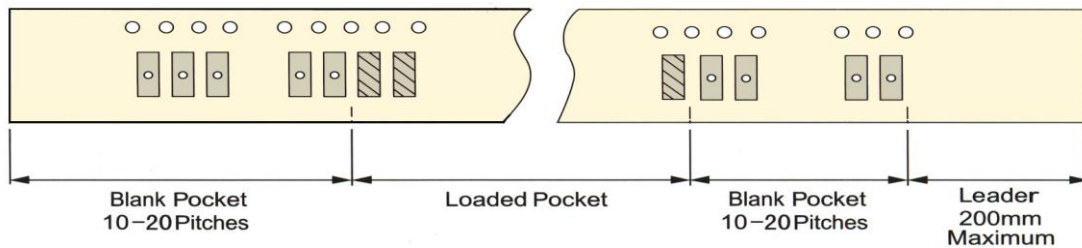
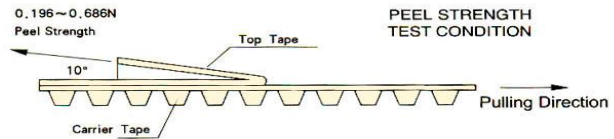
REFLOW PROFILE



TAPE DIMENSIONS (mm)	A	B	C	D	E	F	G	H	JØ	NØ	M	R	K	T
ACT ZTACC MG	±0.2	±0.2	±0.3	±0.1	±0.1	±0.1	±0.1	±0.1	±0.1	±0.1	MAX	MAX	±0.2	
ACT ZTCC MG	3.8	7.8	16	7.5	1.8	8	4	2	1.5	1.6	10°	0.3	2.1	0.3
ACT ZTCCR MG	3.8	7.8	16	7.5	1.8	8	4	2	1.5	1.6	10°	0.3	2.1	0.3
ACT ZTACR MG	2.2	4.7	12	5.5	1.8	4	4	2	1.6	1.6	3°	0.3	1.3	0.3
ACT ZTTCR MG	2.2	4.7	12	5.5	1.8	4	4	2	1.6	1.6	3°	0.3	1.3	0.3
ACT ZTACS MT/MX	5	4.4	12	5.5	1.8	8	4	2	1.5	1.6	10°	0.3	1.8	0.3
ACT ZTTCS MT/MX	5	4.4	12	5.5	1.8	8	4	2	1.5	1.6	10°	0.3	1.8	0.3
ACT ZTACV MT/MX	3.4	4	12	5.5	1.8	8	4	2	1.5	1.6	10°	0.3	1.3	0.3
ACT ZTTCV MT/MX	3.4	4	12	5.5	1.8	8	4	2	1.5	1.6	10°	0.3	1.3	0.3
ACT ZTACW MX	2.2	2.8	8	3.5	1.8	4	4	2	1.6	1.1	3°	0.3	1.3	0.2
ACT ZTTCW MX	2.2	2.8	8	3.5	1.8	4	4	2	1.6	1.1	3°	0.3	1.3	0.2
ACT ZTTCE MG	TBA	TBA	8	TBA	TBA	TBA	TBA	TBA	TBA	TBA	TBA	TBA	TBA	TBA
ACT ZTTCQ MG	TBA	TBA	16	TBA	TBA	TBA	TBA	TBA	TBA	TBA	TBA	TBA	TBA	TBA
ACT ZTTCU MG	TBA	TBA	8	TBA	TBA	TBA	TBA	TBA	TBA	TBA	TBA	TBA	TBA	TBA



C (TAPE WIDTH)	ØA	Pcs / Reel	ØB	W	T
8	179	3K	60	8.4	14
12	179	3K / 1K	60	12.4	19.4
12	330	4K	80	12.4	19.4
16	179	1K/3K	60	16.4	22.4
16	330	3K/4K	80	16.4	22.4



Issue 14 - C1r - 16/06/2014

In line with our ongoing policy of product evolution and improvement, the above specification may subject to change without notice

ISO9001 Registered

For quotations or further information please contact us at:
 3 The Business Centre, Molly Millars Lane, Wokingham, Berkshire, RG41 2EY, UK
<http://www.actcrystals.com>