

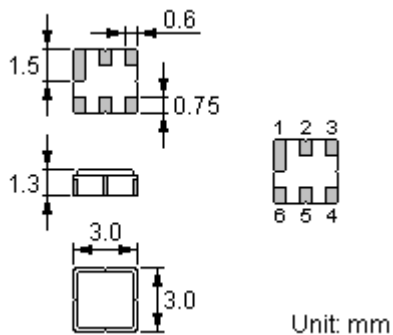
ACTF9389-918.8MHz-5M-DCC6C: Features

- Low-loss RF filter for mobile systems
- Low amplitude ripple
- No matching network required for operation at 50Ω
- Ceramic package for **Surface Mounted Technology (SMT)**
- Lead-free production and **RoHS** compliant



Package Dimensions

Ceramic Package: **DCC6C**



Pin Configuration

| | |
|------------|--------|
| 2 | Input |
| 5 | Output |
| 1, 3, 4, 6 | Ground |

Marking



Top View, Laser Marking

- "ACT": Manufacturer's mark "F": SAW filter
 "9389": Part number "·": Terminal 1
 "*": Lot number (The code shown below varies in a 4-year cycle)

| Code | 1 | 2 | 3 | 4 | 5 | 6 | 7 | 8 | 9 | 10 | 11 | 12 |
|------|---|---|---|---|---|---|---|---|---|----|----|----|
| 2013 | A | B | C | D | E | F | G | H | J | K | L | M |
| 2014 | N | P | Q | R | S | T | U | V | W | X | Y | Z |
| 2015 | a | b | c | d | e | f | g | h | i | j | k | m |
| 2016 | n | p | q | r | s | t | u | v | w | x | y | z |

Maximum Ratings

| Rating | Value | Unit |
|-----------------------------|------------|------|
| Input Power Level | 10 | dBm |
| DC Voltage | 12 | V |
| Storage Temperature Range | -40 to +85 | °C |
| Operating Temperature Range | -30 to +85 | °C |

In line with our ongoing policy of product evolution and improvement, the above specification may subject to change without notice

ISO9001 Registered

For quotations or further information please contact us at:
 3 The Business Centre, Molly Millars Lane, Wokingham, Berkshire, RG41 2EY, UK
<http://www.actcrystals.com>

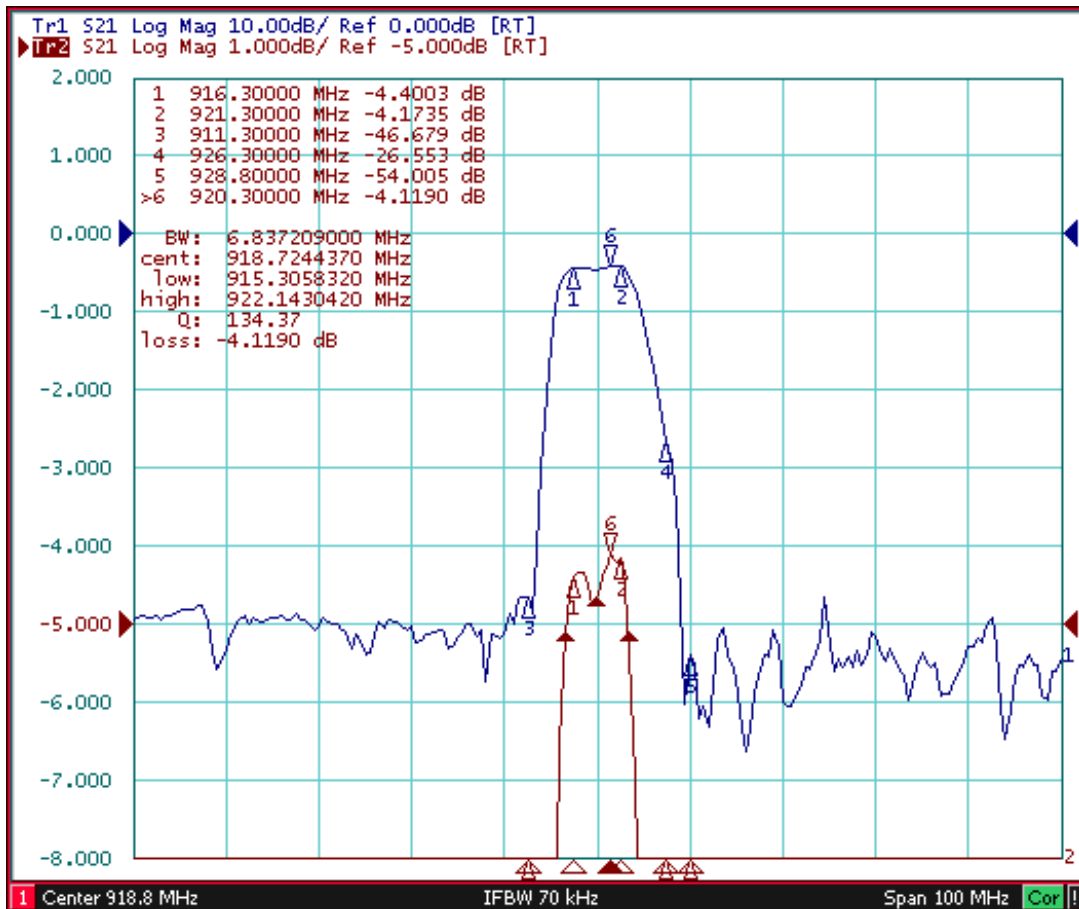
Electrical Characteristics

| Characteristic | | Min. | Typ. | Max. | Unit |
|--------------------------|--|------|-------|------|----------|
| Center Frequency | f_c | | 918.8 | | MHz |
| Insertion Loss | IL @918.8MHz | -- | 5.0 | 6.0 | dB |
| 1dB Bandwidth | BW_1 | 5 | 5.6 | | MHz |
| Passband Ripple | $\Delta\alpha$ 916.3 MHz 921.3 MHz | -- | 0.5 | 1.0 | dB |
| Absolute Attenuation | α | | | | |
| | 0.3 MHz 911.3 MHz | 40 | 45 | -- | dB |
| | 911.3 MHz | 40 | 45 | -- | |
| | 926.3 MHz | 20 | 25 | -- | |
| | 926.3 MHz928.8 MHz | 20 | 25 | -- | |
| | 928.8 MHz1500 MHz | 40 | 45 | -- | |
| VSWR@918.8 MHz | | | 1.3 | 2.0 | |
| Input / Output Impedance | | | 50 | | Ω |

 **RoHS Compliant**

 **Electrostatic Sensitive Device**

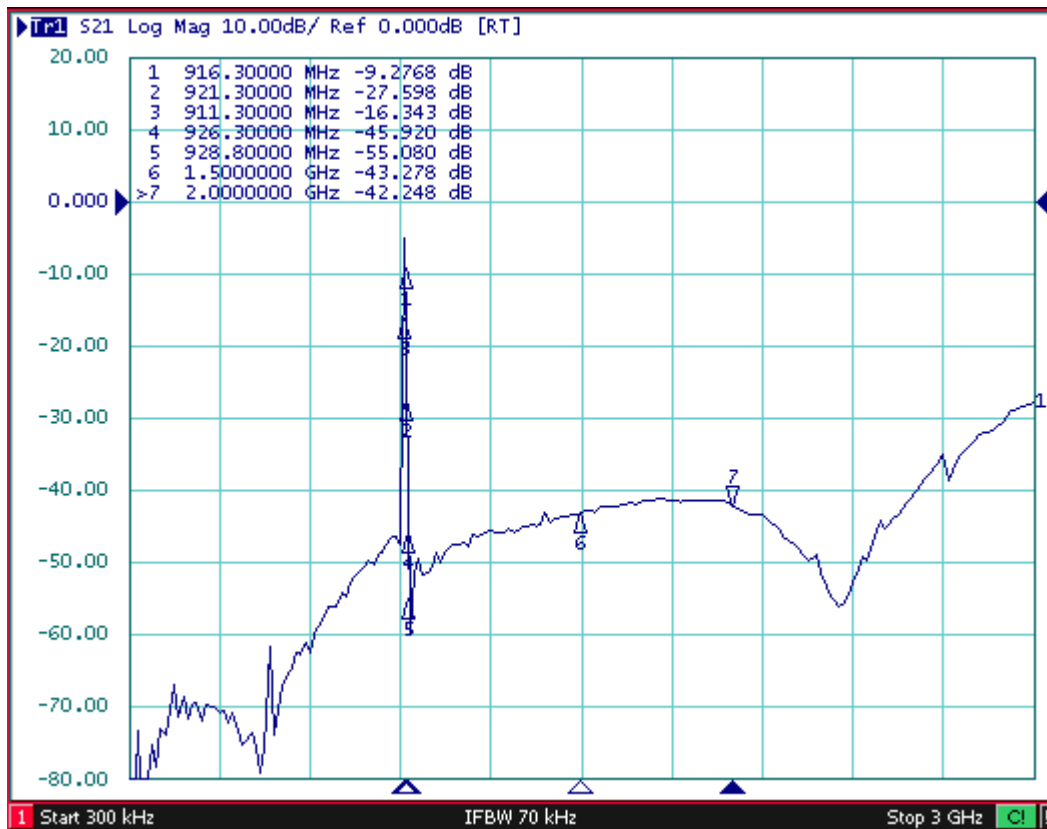
Typical Frequency Response



In line with our ongoing policy of product evolution and improvement, the above specification may subject to change without notice

ISO9001 Registered

For quotations or further information please contact us at:
 3 The Business Centre, Molly Millars Lane, Wokingham, Berkshire, RG41 2EY, UK
<http://www.actcrystals.com>



Stability Characteristics

| | Test item | Condition of test |
|---|---------------------------|--|
| 1 | Mechanical shock | (a) Drops: 3 times on concrete floor (b) Height: 1.0 m |
| 2 | Vibration resistance | (a) Frequency of vibration: 10~55Hz (b) Amplitude: 1.5 mm (c) Directions: X,Y and Z (d) Duration: 2 hours |
| 3 | Moisture resistance | (a) Condition: 40°C, 90~95% R.H. (b) Duration: 96 hours (c) Wait 4 hours before measurement |
| 4 | Climatic sequence | (a) +70°C for 16 hours (b) +55°C for 24 hours, 90~95% R.H. (c) -25°C for 2 hours (d) +40°C for 24 hours, 90~95% R.H. (e) Wait 4 hours before measurement |
| 5 | High temperature exposure | (a) Temperature: 70°C (b) Duration: 250 hours (c) Wait 4 hours before measurement |
| 6 | Thermal impact | (a) +70°C for 30 minutes ⇒ -25°C for 30 minutes repeated 3 times (b) Wait 4 hours before measurement |

Requirements: The SAW filter shall remain within the electrical specifications after tests.

In line with our ongoing policy of product evolution and improvement, the above specification may subject to change without notice

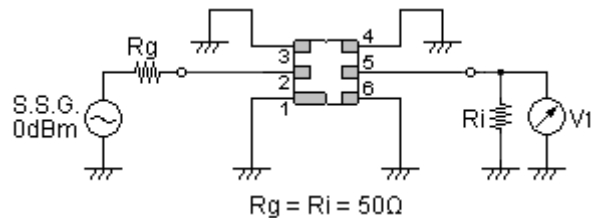
ISO9001 Registered

For quotations or further information please contact us at:
 3 The Business Centre, Molly Millars Lane, Wokingham, Berkshire, RG41 2EY, UK
<http://www.actcrystals.com>

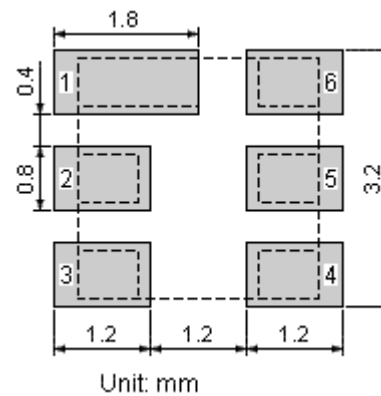
Remarks

- SAW devices should not be used in any type of fluid such as water, oil, organic solvent, etc.
- Be certain not to apply voltage exceeding the rated voltage of components.
- Do not operate outside the recommended operating temperature range of components.
- Sudden change of temperature shall be avoided, deterioration of the characteristics can occur.
- Be careful of soldering temperature and duration of components when soldering.
- Do not place soldering iron on the body of components.
- Be careful not to subject the terminals or leads of components to excessive force.
- SAW devices are electrostatic sensitive. Please avoid static voltage during operation and storage.
- Ultrasonic cleaning shall be avoided. Ultrasonic vibration may cause destruction of components.

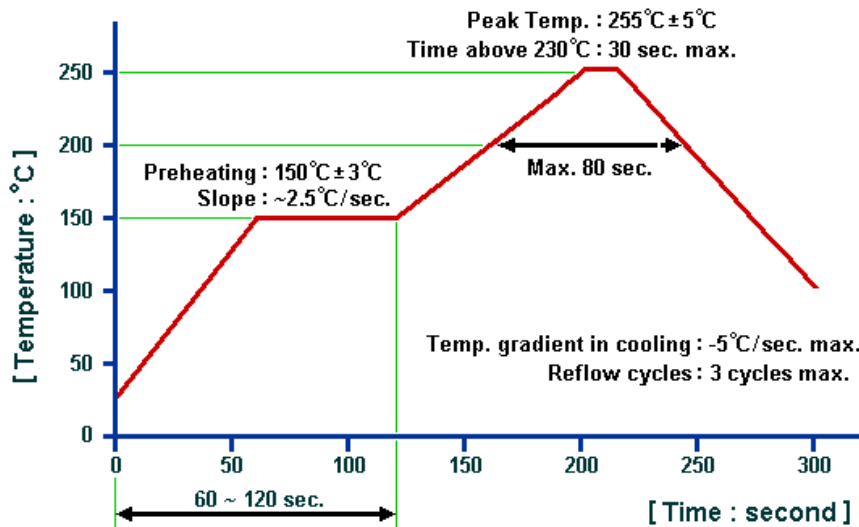
Test Circuit



Recommended Land Pattern



Recommended Soldering Profile



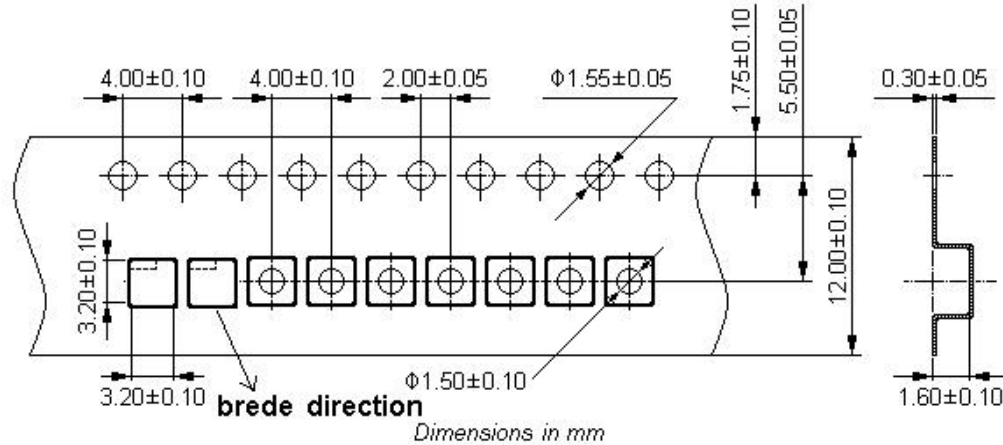
In line with our ongoing policy of product evolution and improvement, the above specification may subject to change without notice

ISO9001 Registered

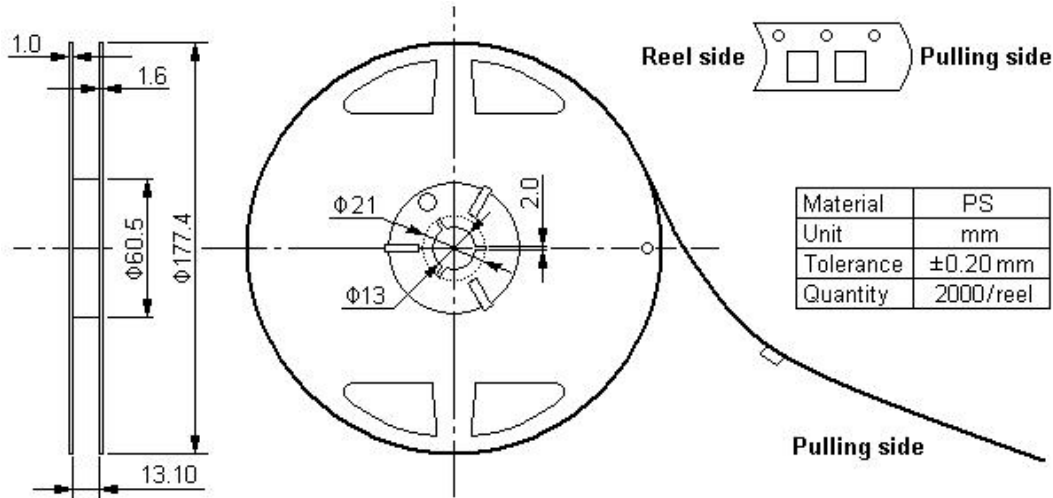
For quotations or further information please contact us at:
 3 The Business Centre, Molly Millars Lane, Wokingham, Berkshire, RG41 2EY, UK
<http://www.actcrystals.com>

Packing Information

Carrier Tape



Reel Dimensions



© ACT. All Rights Reserved.

1. The specifications of this device are subject to change or obsolescence without notice.
2. Typically, equipment utilizing this device requires emissions testing and government approval, which is the responsibility of the equipment manufacturer.
3. Our liability is only assumed for the Surface Acoustic Wave (SAW) component(s) per se, not for applications, processes and circuits implemented within components or assemblies.

In line with our ongoing policy of product evolution and improvement, the above specification may subject to change without notice

ISO9001 Registered

For quotations or further information please contact us at:
 3 The Business Centre, Molly Millars Lane, Wokingham, Berkshire, RG41 2EY, UK
<http://www.actcrystals.com>