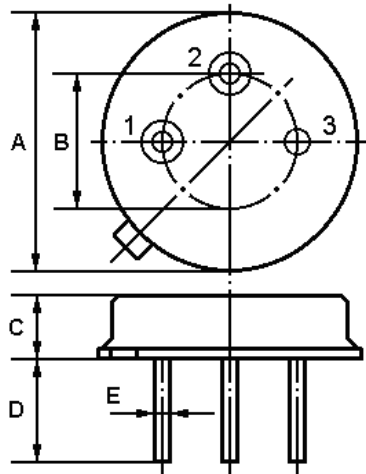


The **ACTF868.35-868.35-TO39-NaBW** is a low-loss, compact, and economical surface-acoustic-wave (SAW) filter in a low-profile metal **TO-39** case designed to provide front-end selectivity in **868.350** MHz receivers. Receiver designs using this filter include superhet with 10.7 MHz or 500 kHz IF, direct conversion and superregen.

1. Package Dimension (TO-39)



Pin	Configuration
1	Input / Output
2	Output / Input
3	Case Ground

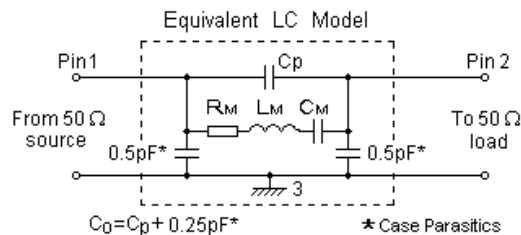
Dimension	Data (unit: mm)
A	9.15±0.20
B	5.08±0.20
C	3.30±0.20
D	3±0.20/5±0.20
E	0.45±0.10

2. Marking

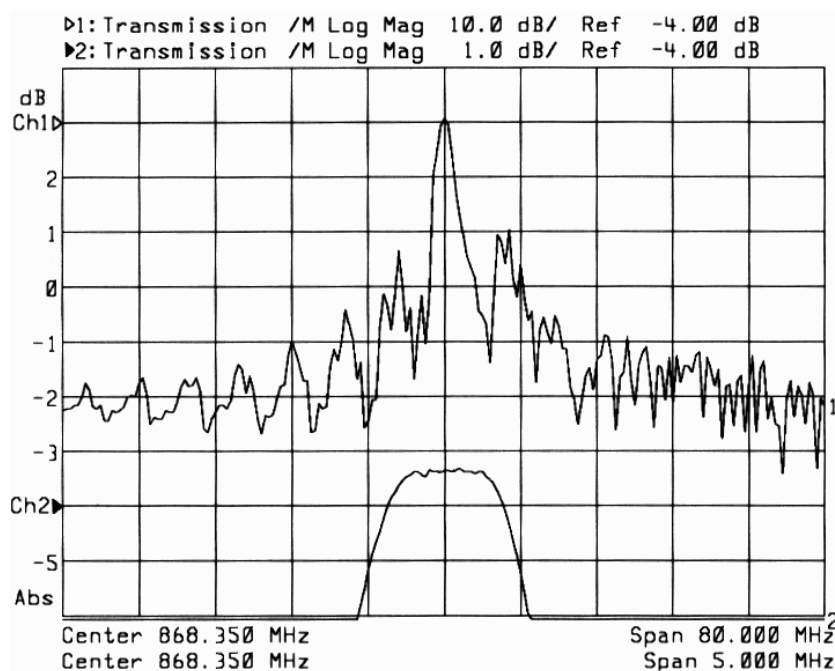
ACTF
868.35

Laser Printing

3. Test Circuit



4. Typical Frequency Response



In line with our ongoing policy of product evolution and improvement, the above specification may subject to change without notice

ISO9001:2000 Registered

For quotations or further information please contact us at:

3 The Business Centre, Molly Millars Lane, Wokingham, Berkshire, RG41 2EY, UK

<http://www.actcrystals.com>

5. Performance

5-1. Maximum Rating

Rating	Value	Unit
CW RF Power Dissipation P	+13	dBm
DC Voltage Between Any Two Pins V_{DC}	± 30	V
Storage Temperature Range T_{stg}	-40 to +85	$^{\circ}C$
Operating Temperature Range T_A	-40 to +85	$^{\circ}C$

5-2. Electronic Characteristics

Characteristic	Minimum	Typical	Maximum	Unit	
Center Frequency (center frequency between 3dB points) f_c		868.350		MHz	
Insertion Loss IL	--	3.5	5.0	dB	
3dB Bandwidth BW_3	--	1,200	--	kHz	
Rejection	at $f_c - 21.4$ MHz (Image)	35	45	--	dB
	at $f_c - 10.7$ MHz (LO)	25	35	--	
	Ultimate	--	60	--	
Temperature	Turnover Temperature T_O	25		55	$^{\circ}C$
	Turnover Frequency f_o		f_c		MHz
	Frequency Temperature Coefficient FTC		0.032		ppm/ $^{\circ}C^2$
Frequency Aging Absolute Value during the First Year $ fA $		10		Ppm/yr	

ⓘ CAUTION: Electrostatic Sensitive Device. Observe precautions for handling!

© ACT. All Rights Reserved.

NOTE:

- The frequency f_c is defined as the midpoint between the 3dB frequencies.
- Unless noted otherwise, all measurements are made with the filter installed in the specified test fixture that is connected to a 50Ω test system with $VSWR \leq 1.2:1$. The test fixture L and C are adjusted for minimum insertion loss at the filter center frequency, f_c . Note that insertion loss, bandwidth, and passband shape are dependent on the impedance matching component values and quality.
- Unless noted otherwise, specifications apply over the entire specified operating temperature range.
- Frequency aging is the change in f_c with time and is specified at $+65^{\circ}C$ or less. Aging may exceed the specification for prolonged temperatures above $+65^{\circ}C$. Typically, aging is greatest the first year after manufacture, decreasing in subsequent years.
- Turnover temperature, T_O , is the temperature of maximum (or turnover) frequency, f_o . The nominal frequency at any case temperature, T_C , may be calculated from: $f = f_o [1 - FTC (T_O - T_C)^2]$.
- The specifications of this device are based on the test circuit shown above and subject to change or obsolescence without notice.
- All equipment designs utilizing this product must be approved by the appropriate government agency prior to manufacture or sale.
- Our liability is only assumed for the Surface Acoustic Wave (SAW) component(s) per se, not for applications, processes and circuits implemented within components or assemblies.

In line with our ongoing policy of product evolution and improvement, the above specification may subject to change without notice

ISO9001:2000 Registered

For quotations or further information please contact us at:

3 The Business Centre, Molly Millars Lane, Wokingham, Berkshire, RG41 2EY, UK

<http://www.actcrystals.com>