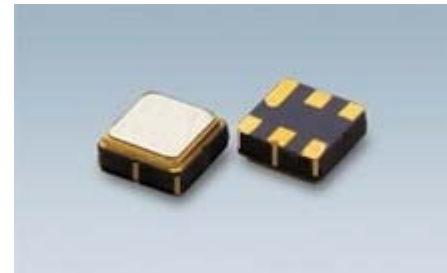


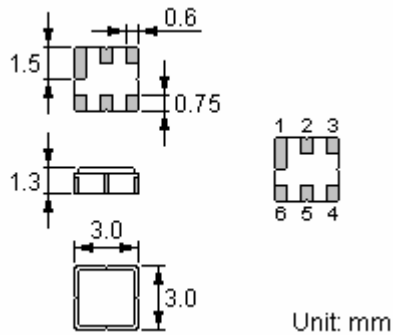
**Features: Saw Filter ACTF8310-815-DCC6C**

- Low-loss RF filter for mobile systems
- Low amplitude ripple
- No matching network required for operation at 50Ω
- Ceramic package for **Surface Mounted Technology (SMT)**
- Lead-free production and **RoHS** compliant



**Package Dimensions**

Ceramic Package: **DCC6C**



**Pin Configuration**

2	Input
5	Output
1, 3, 4, 6	Ground

**Marking**



Top View, Laser Marking

- "ACT": Manufacturer's mark                      "F": SAW filter  
 "8310": Part number                                      "·": Terminal 1  
 "\*": Lot number (The code shown below varies in a 4-year cycle)

Code	1	2	3	4	5	6	7	8	9	10	11	12
2009	A	B	C	D	E	F	G	H	J	K	L	M
2010	N	P	Q	R	S	T	U	V	W	X	Y	Z
2011	a	b	c	d	e	f	g	h	i	j	k	m
2012	n	p	q	r	s	t	u	v	w	x	y	z

**Maximum Ratings**

Rating	Value	Unit
Input Power Level	$P$ 10	dBm
DC Voltage	$V_{DC}$ 0	V
Operating Temperature Range	$T_A$ -40 ~ +85	°C
Storage Temperature Range	$T_{stg}$ -40 ~ +85	°C

In line with our ongoing policy of product evolution and improvement, the above specification may subject to change without notice

**ISO9001:2000 Registered**

For quotations or further information please contact us at:  
 3 The Business Centre, Molly Millars Lane, Wokingham, Berkshire, RG41 2EY, UK  
<http://www.actcrystals.com>

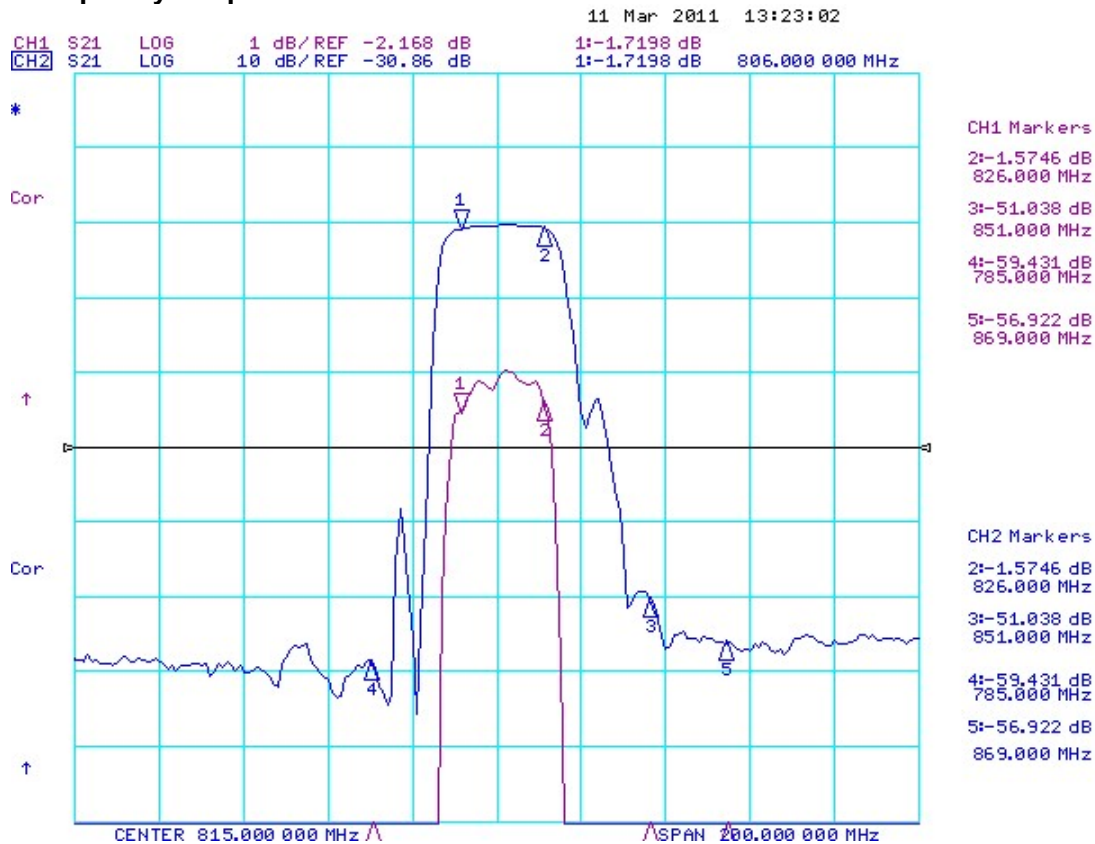
### Electrical Characteristics

Item	Minimum	Typical	Maximum	Unit
Center Frequency $f_c$		815		MHz
Insertion Loss $IL$				
805.00 .... 825.00 MHz	--	1.8	2.4	dB
Group Delay Ripple 805.00 .... 825.00 MHz		50	100	ns
Absolute Attenuation $\alpha$				
DC .... 780.00 MHz	50	55		dB
851.00 .... 869.00 MHz	45	50		dB
869.00 .... 1000.00 MHz	45	50		dB
1000.00 .... 1500.00 MHz	45	55		dB
1500.00 .... 2000.00 MHz	40	45		dB
2000.00 .... 3000.00 MHz	20	30		dB
Amplitude Ripple (p-p) 805.00 .... 825.00 MHz $\Delta\alpha$		0.6	1.2	dB
Input VSWR 805.00 .... 825.00 MHz		1.5: 1	2.0: 1	
Output VSWR 805.00 .... 825.00 MHz		1.5: 1	2.0: 1	
Input / Output Impedance (Nominal)	50			$\Omega$

 **RoHS Compliant\*):**

 **Electrostatic Sensitive Device**

### Typical Frequency Response



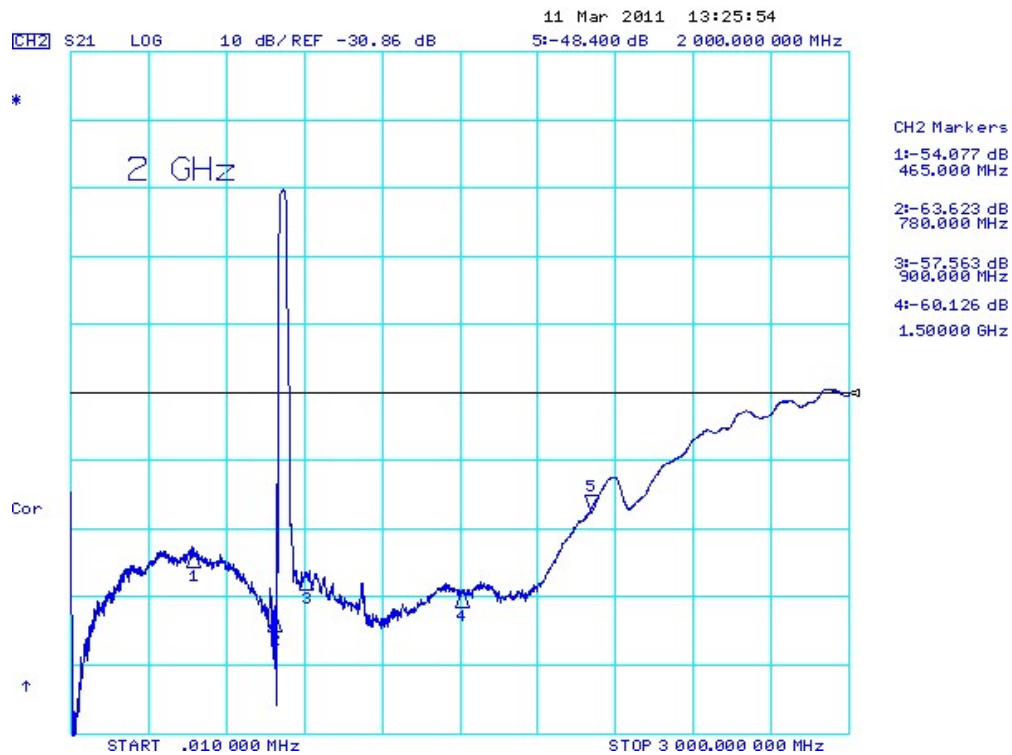
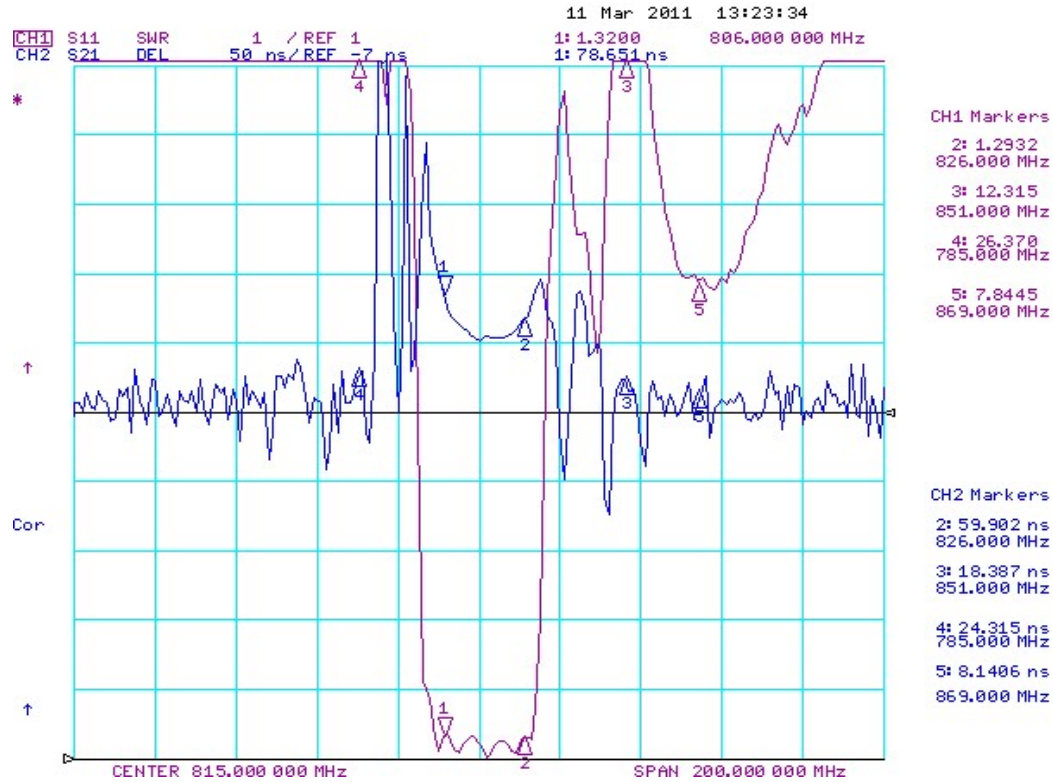
In line with our ongoing policy of product evolution and improvement, the above specification may subject to change without notice

**ISO9001:2000 Registered**

For quotations or further information please contact us at:

3 The Business Centre, Molly Millars Lane, Wokingham, Berkshire, RG41 2EY, UK

<http://www.actcrystals.com>



In line with our ongoing policy of product evolution and improvement, the above specification may subject to change without notice

**ISO9001:2000 Registered**

For quotations or further information please contact us at:

3 The Business Centre, Molly Millars Lane, Wokingham, Berkshire, RG41 2EY, UK

<http://www.actcrystals.com>

## Stability Characteristics

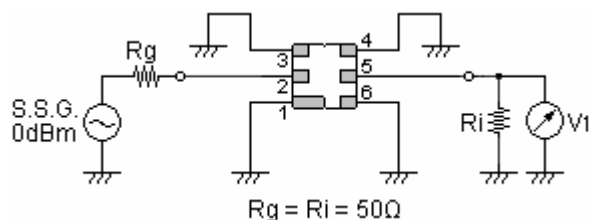
	Test item	Condition of test
1	Mechanical shock	(a) Drops: 3 times on concrete floor (b) Height: 1.0 m
2	Vibration resistance	(a) Frequency of vibration: 10~55Hz (c) Directions: X,Y and Z (b) Amplitude: 1.5 mm (d) Duration: 2 hours
3	Moisture resistance	(a) Condition: 40°C, 90~95% R.H. (c) Wait 4 hours before measurement (b) Duration: 96 hours
4	Climatic sequence	(a) +70°C for 16 hours (c) -25°C for 2 hours (e) Wait 4 hours before measurement (b) +55°C for 24 hours, 90~95% R.H. (d) +40°C for 24 hours, 90~95% R.H.
5	High temperature exposure	(a) Temperature: 70°C (c) Wait 4 hours before measurement (b) Duration: 250 hours
6	Thermal impact	(a) +70°C for 30 minutes ⇒ -25°C for 30 minutes repeated 3 times (b) Wait 4 hours before measurement

**Requirements:** The SAW filter shall remain within the electrical specifications after tests.

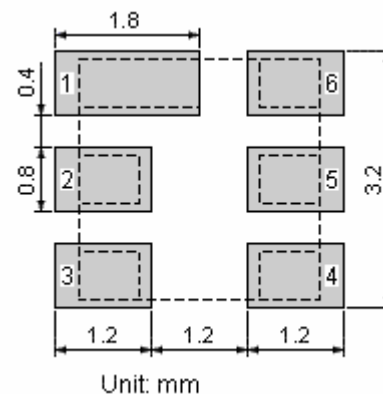
## Remarks

- SAW devices should not be used in any type of fluid such as water, oil, organic solvent, etc.
- Be certain not to apply voltage exceeding the rated voltage of components.
- Do not operate outside the recommended operating temperature range of components.
- Sudden change of temperature shall be avoided, deterioration of the characteristics can occur.
- Be careful of soldering temperature and duration of components when soldering.
- Do not place soldering iron on the body of components.
- Be careful not to subject the terminals or leads of components to excessive force.
- SAW devices are electrostatic sensitive. Please avoid static voltage during operation and storage.
- Ultrasonic cleaning shall be avoided. Ultrasonic vibration may cause destruction of components.

## Test Circuit



## Recommended Land Pattern



In line with our ongoing policy of product evolution and improvement, the above specification may subject to change without notice

**ISO9001:2000 Registered**

For quotations or further information please contact us at:

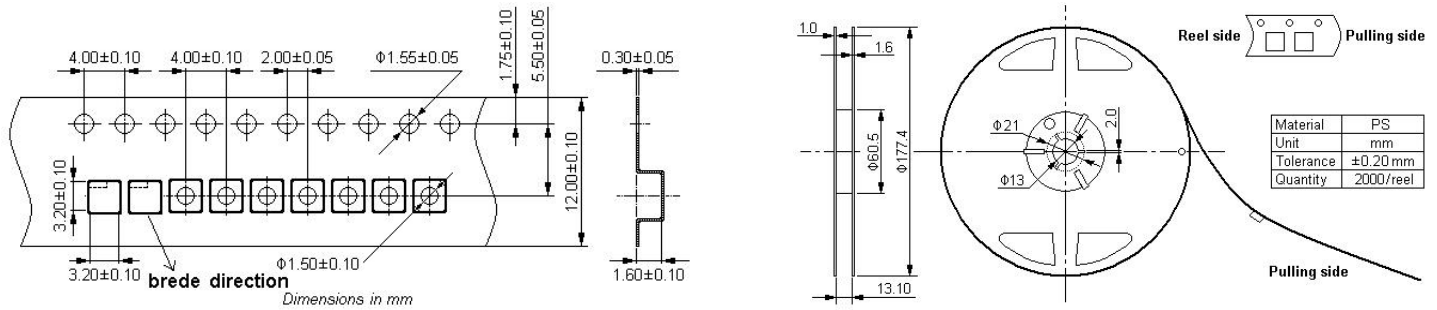
3 The Business Centre, Molly Millars Lane, Wokingham, Berkshire, RG41 2EY, UK

<http://www.actcrystals.com>

## Packing Information

### Carrier Tape

### Reel Dimensions



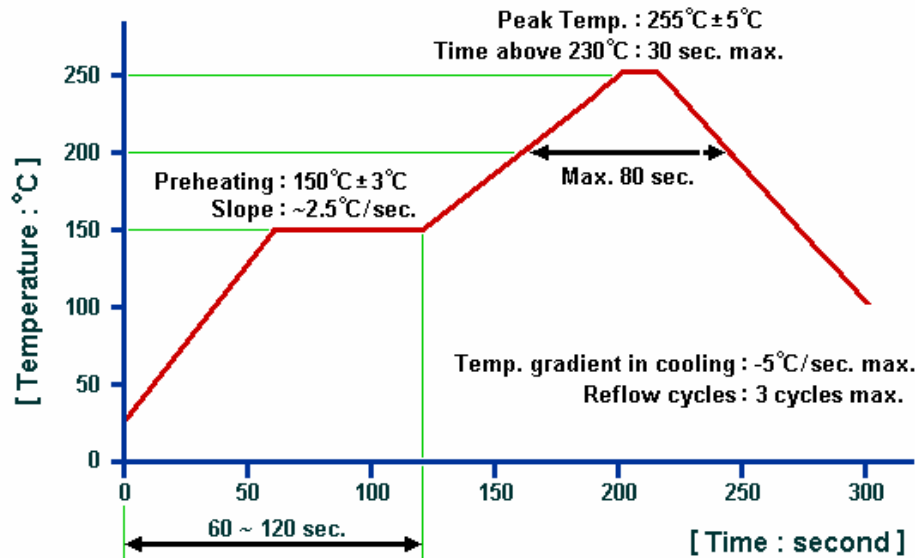
### Outer Packing

Type	Quantity	Dimension	Description	Weight
Carton Box I	10000	190×190×95	anti-static plastic bag & carton box 1 reel / bag	0.85
Carton Box II	20000	190×190×190	5 bags / box (10000 pcs) 10 bags / box (20000 pcs)	1.80

Unit: mm

Unit: kg

### Recommended Soldering Profile



1. The specifications of this device are subject to change or obsolescence without notice.
2. Typically, equipment utilizing this device requires emissions testing and government approval, which is the responsibility of the equipment manufacturer.
3. Our liability is only assumed for the Surface Acoustic Wave (SAW) component(s) per se, not for applications, processes and circuits implemented within components or assemblies.

In line with our ongoing policy of product evolution and improvement, the above specification may subject to change without notice

**ISO9001:2000 Registered**

For quotations or further information please contact us at:

3 The Business Centre, Molly Millars Lane, Wokingham, Berkshire, RG41 2EY, UK

<http://www.actcrystals.com>