

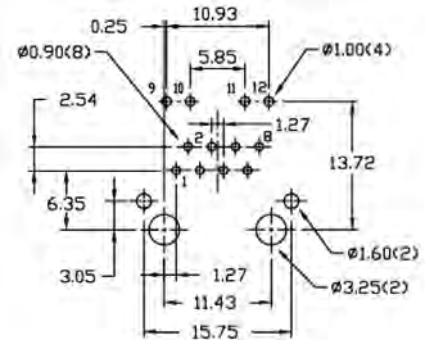
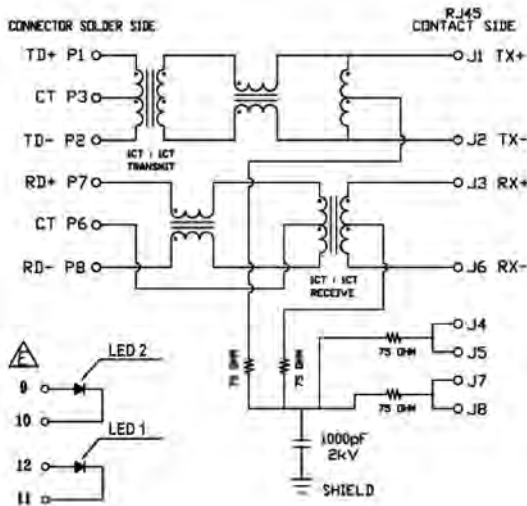
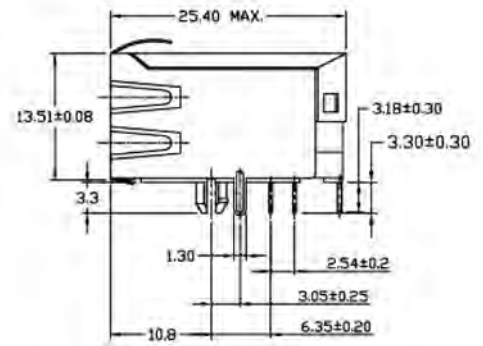
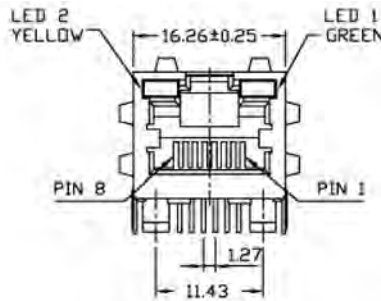
RJ 45 FILTRED Connector

ORDERING INFORMATION : RJM88-H1100-GSF1

See LED color option



Nota: photos are not full scale



PCB Layout

MATERIAL and FINISH

Contact: Phosphor bronze
Plating: 30" Gold – Tin in solder area
 Shield: Copper alloy over nickel

SPECIFICATIONS

RJ45 filtered connector 10/100 base filter
Current rating: 1.5 A per contact
Voltage rating: 150 V AC/DC
Insulation resistance: 500 M Ω Min
Contact resistance: 20m Ω Max

CLUDE	LED 2 (LEFT)	LED 1 (RIGHT)
0	BLUCKED	BLUCKED
1	YELLOW	GREEN
2	BLUCKED	GREEN
3	YELLOW	BLUCKED
4	GREEN	YELLOW
5	GREEN	GREEN
6	YELLOW	YELLOW
7	UR/GR	UR/GR
8	YE/GR	YE/GR
9	UR/GR	YELLOW

Unit: mm

Cable assemblies available according to your specifications

Advanced Connectors and Cable Assemblies