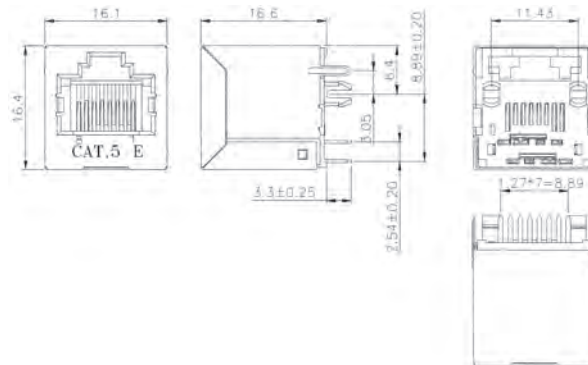
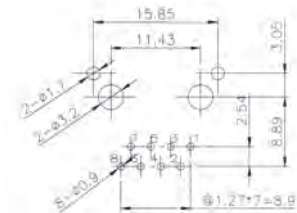


## CAT 5 Connector

### ORDERING INFORMATION: RJB88-V1100-GSH



### PCB Layout



### MATERIAL and FINISH

**Insulator:** Nylon+24% GF  
UL94V-0

**Contact:** Phosphor bronze

**Plating:** Contact area 6μ gold,  
Tail 150μ TIN-LEAD

**Operating Life:** 750 cycles min

### SPECIFICATIONS

**Cat 5**

**Current rating:** 1.0 A

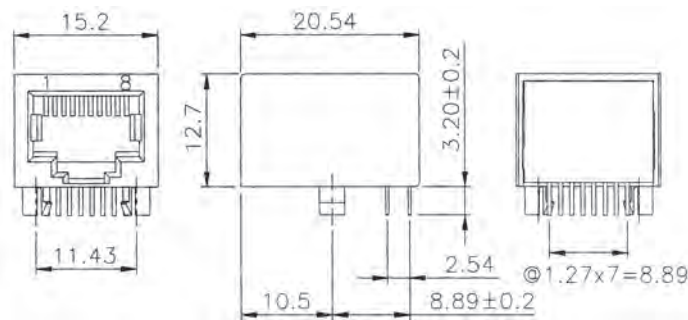
**Voltage rating:** 125V AC RMS

**Dielectric strength:** 1000 VAC RMS 60 Hz, 1 min

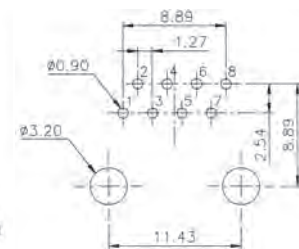
**Insulation resistance:** 1MΩ min 500VDC

**Contact resistance:** 50 mΩ max

### ORDERING INFORMATION: RJB88-H1100-GUH



### PCB Layout



### MATERIAL and FINISH

**Insulator:** Glass filled polyester  
UL94V-0

**Contact:** Phosphor bronze

**Plating:** Contact area 6μ gold,  
Tail 150μ TIN-LEAD

**Operating Life:** 750 cycles min

### SPECIFICATIONS

**RJ45**

**Current rating:** 1.0 A

**Voltage rating:** 150 VAC RMS

**Dielectric strength:** 1000 VAC RMS 60 Hz, 1 min

**Insulation resistance:** 1M Ω min 500VDC

**Contact resistance:** 40m Ω max

Unit: mm

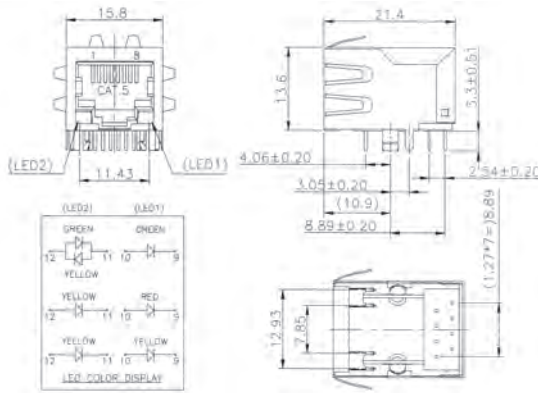
Cable assemblies available according to your specifications

**Advanced Connectors and Cable Assemblies**

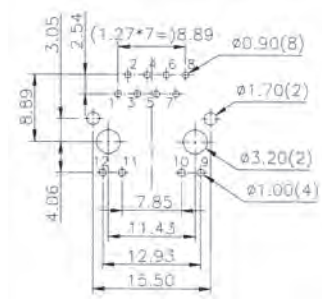
## CAT 5 Connector

### ORDERING INFORMATION: RJB88-H110B-GSF

B= LED1: Green - LED2: Green/Yellow  
 M= LED1: Red - LED2: Yellow  
 N= LED1: Yellow - LED2: Yellow



#### PCB Layout



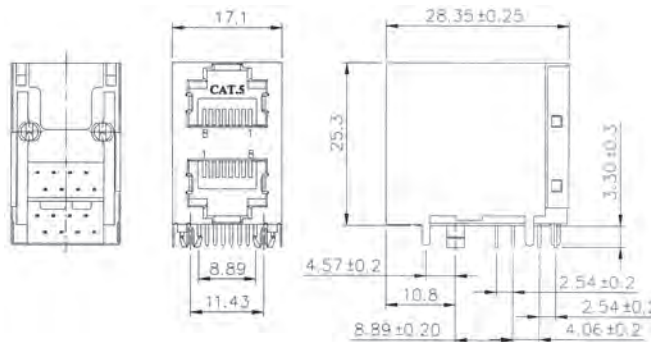
#### MATERIAL and FINISH

**Insulator:** Glass filled polyester  
UL94V-0  
**Contact:** Phosphor bronze  
**Plating:** Contact area 6μ gold,  
Tail 150μ TIN-LEAD  
**Operating Life:** 750 cycles min

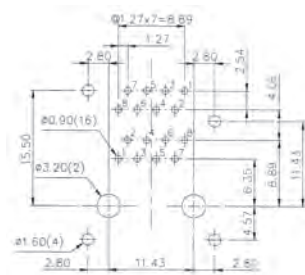
#### SPECIFICATIONS

**Cat 5**  
**Current rating:** 1.0 A  
**Voltage rating:** 125V AC RMS  
**Dielectric strength:** 1000 VAC RMS 60 Hz, 1 min  
**Insulation resistance:** 1MΩ min 500VDC  
**Contact resistance:** 50 mΩ max

### ORDERING INFORMATION: RJB88-H1220-GSH



#### PCB Layout



#### MATERIAL and FINISH

**Insulator:** Nylon UL94V-0  
**Contact:** Phosphor bronze  
**Plating:** Contact area 6μ gold,  
Tail 150μ TIN-LEAD  
**Operating Life:** 750 cycles min

#### SPECIFICATIONS

**RJ45**  
**Current rating:** 1.5 A  
**Voltage rating:** 150 VAC RMS  
**Dielectric strength:** 1000 VAC RMS 60 Hz, 1 min  
**Insulation resistance:** 1M Ω min 500VDC  
**Contact resistance:** 50m Ω max

Unit: mm

Cable assemblies available according to your specifications

Advanced Connectors and Cable Assemblies

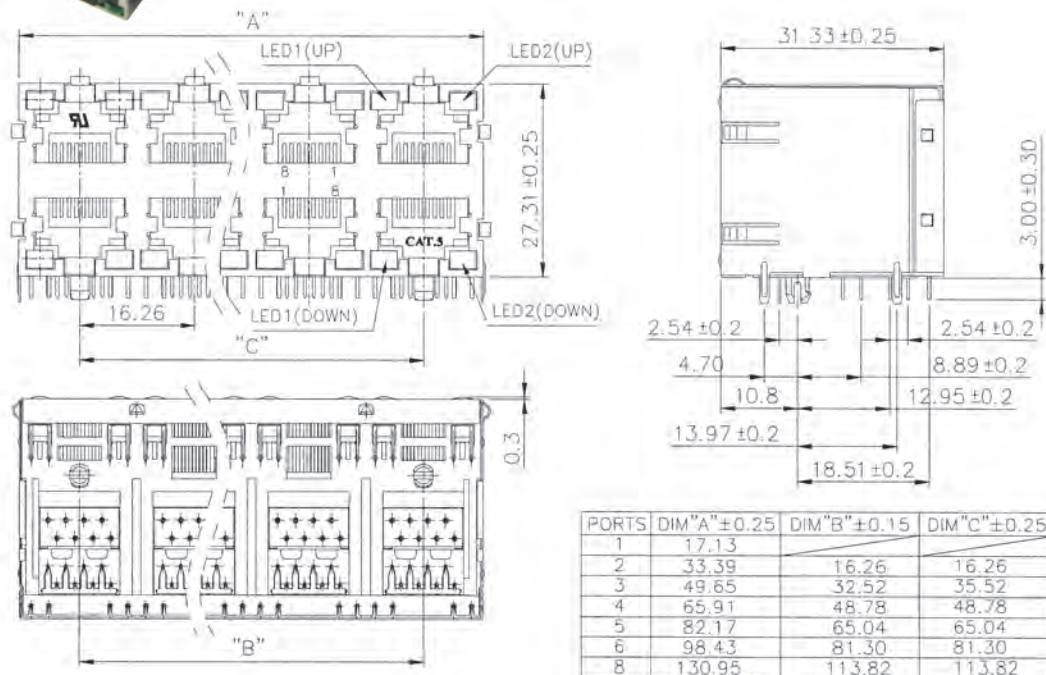
## CAT 5 Connector

### ORDERING INFORMATION: RJB88-H122 1-GSF

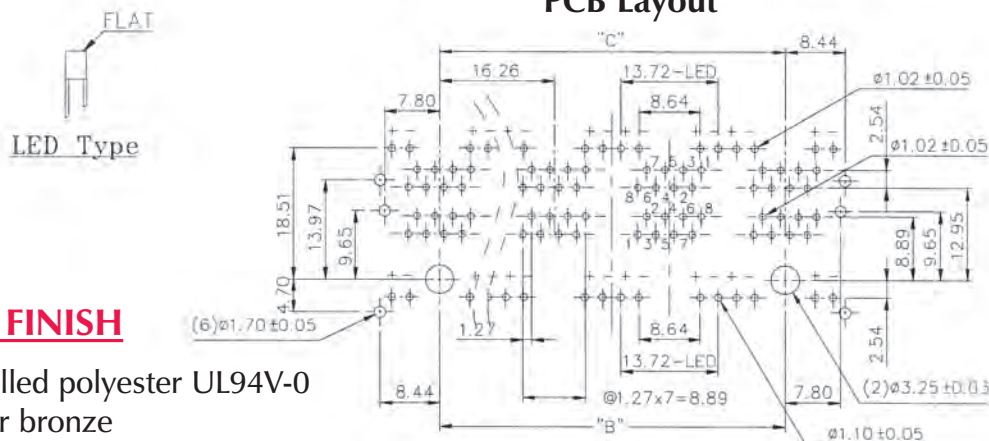


2 to 16

- 1= LED1: Green - LED2: Green (UP & DOWN)
- 2= LED1: Green - LED2: Orange (UP & DOWN)
- 3= LED1: Green - LED2: Yellow (UP & DOWN)
- 4= (UP) LED1: Green - LED2: Yellow
- 5= (DOWN) LED1: Yellow - LED2: Green
- 6= LED1: Yellow - LED2: Green (UP & DOWN)



#### PCB Layout



#### MATERIAL and FINISH

**Insulator:** Glass filled polyester UL94V-0

**Contact:** Phosphor bronze

**Plating:** Gold over nickel

Unit: mm

**Cable assemblies available according to your specifications**

# Advanced Connectors and Cable Assemblies