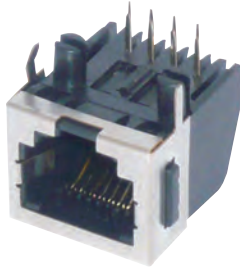




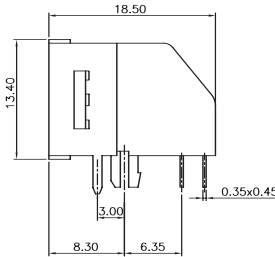
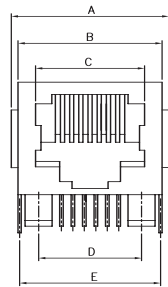
## RJ45 Connector

### ORDERING INFORMATION: RJA 8 8 - H1100-GFH-2

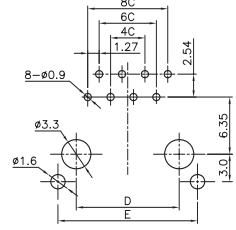


Position Number  
6 or 8

Contact Number  
2-4-6-8



POSITION	CONTACT	A	B	C	D	E
6P	2C/4C/6C	15.75	13.90	9.90	10.16	13.70
8P	8C	17.75	16.00	11.93	11.43	15.65



PCB Layout

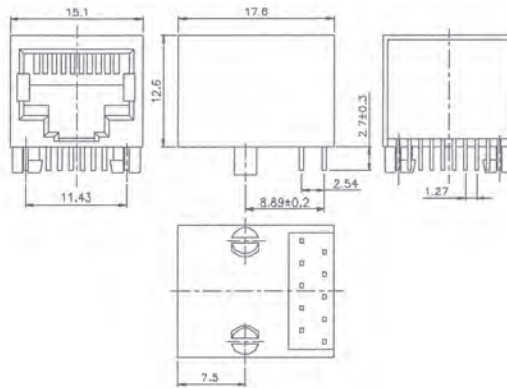
#### MATERIAL and FINISH

**Insulator:** High temperature material - UL94VO  
**Contact:** Copper alloy  
**Plating:** Selective gold plated over nickel

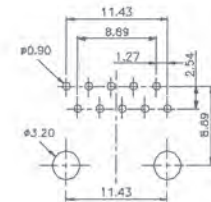
#### SPECIFICATIONS

**Current rating:** 1.0A per contact  
**Voltage rating:** 250 VAC/DC  
**Dielectric withstanding voltage:** 1000 VAC  
**Insulation resistance:** 1000M Ω min  
**Contact resistance:** 30 m Ω max  
**Temperature range:** -25°C to +125°C

### ORDERING INFORMATION: RJA88-H1100-GUH1



PCB Layout



#### MATERIAL and FINISH

**Insulator:** Glass filled polyester UL94V-0  
**Contact:** Phosphor bronze  
**Plating:** Contact area- Selective gold, Tail 150µ TIN-LEAD min over 50µ Nickel

#### SPECIFICATIONS

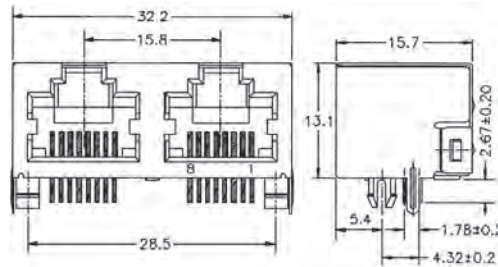
**Current rating:** 1.5A  
**Voltage rating:** 125 VAC RMS  
**Dielectric strength:** 1000 VAC RMS 60 Hz, 1 min  
**Insulation resistance:** 1000M Ω min 500VDC  
**Contact resistance:** 35m Ω max

Unit: mm

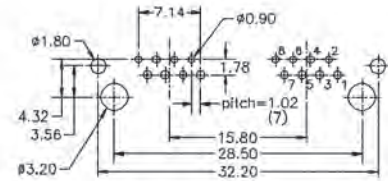
Cable assemblies available according to your specifications

# Advanced Connectors and Cable Assemblies

**ORDERING INFORMATION: RJA88-H1210-GSH**



**PCB Layout**



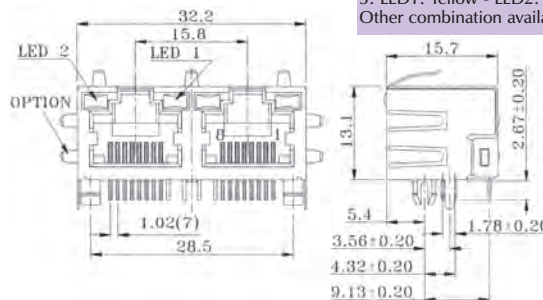
**MATERIAL and FINISH**

**Insulator:** PBT+30%.G.F.UL94V-0.color-Black  
**Contact:** Phosphor bronze  
**Plating:** Gold plating over nickel  
**Operating Life:** 750 cycles min

**SPECIFICATIONS**

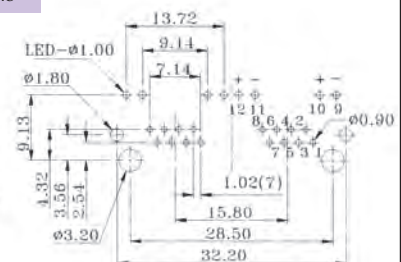
**Current rating:** 1.5A  
**Voltage rating:** 125 VAC RMS  
**Dielectric strength:** 1000 VAC RMS 60 Hz, 1 min  
**Insulation resistance:** 1000M Ω min 500VDC  
**Contact resistance:** 35m Ω max

**ORDERING INFORMATION: RJA88-H121 1-GSH**



1: LED1: Green - LED2: Yellow  
 2: LED1: Green - LED2: Green  
 3: LED1: Yellow - LED2: Green  
 Other combination available

**PCB Layout**



**MATERIAL and FINISH**

**Insulator:** PBT+30%.G.F.UL94V-0.color-Black  
**Contact:** Phosphor bronze  
**Plating:** Gold Over Nickel  
**Operating Life:** 750 cycles min  
**Led size:** 3.2\*2.0\*7.0\*P=2.29mm

**SPECIFICATIONS**

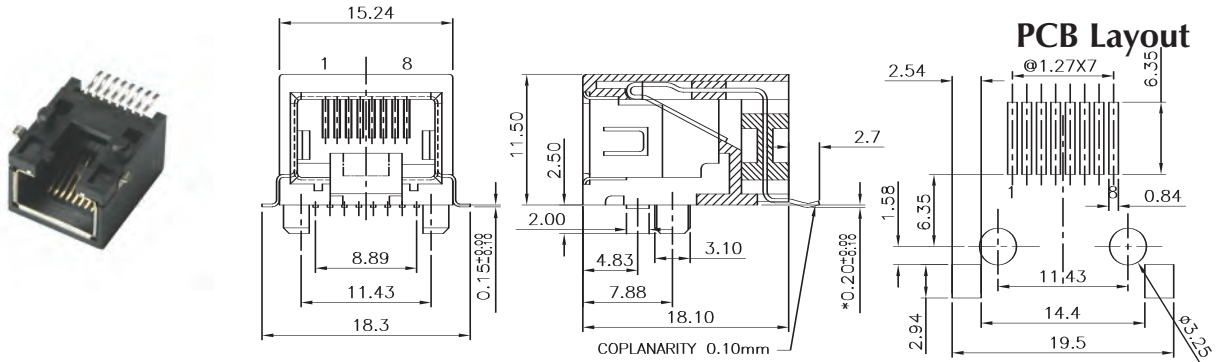
**Current rating:** 1.5A  
**Voltage rating:** 125 VAC RMS  
**Dielectric strength:** 1000 VAC RMS 60 Hz, 1 min  
**Insulation resistance:** 1000M Ω min 500VDC  
**Contact resistance:** 35m Ω max

Unit: mm

**Cable assemblies available according to your specifications**

**Advanced Connectors and Cable Assemblies**

**ORDERING INFORMATION: RJA88-H2100-GSH**



**MATERIAL and FINISH**

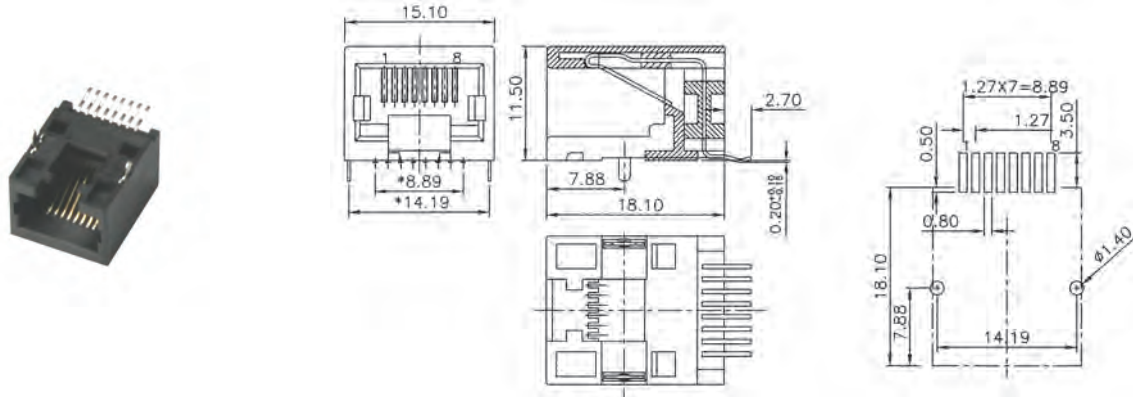
**Insulator:** FR52  
**Contact:** Phosphor bronze  
**Plating:** 1: Contact AREA- Selective Gold  
 2: Tails- 150u" TIN-LEAD Min Over 50u" Nickel

**SPECIFICATIONS**

**Current rating:** 1.5A  
**Voltage rating:** 125 VAC RMS  
**Dielectric strength:** 1000 VAC RMS 60 Hz, 1 min  
**Insulation resistance:** 1000M Ω min 500VDC  
**Contact resistance:** 35m Ω max

**ORDERING INFORMATION: RJA88-H2100-GUH**

**PCB Layout**



**MATERIAL and FINISH**

**Insulator:** FR52  
**Contact:** Phosphor bronze  
**Plating:** Gold Over Nickel  
**Operating Life:** 750 cycles min  
**PCB retention pre-solder:** 10 LBS min

**SPECIFICATIONS**

**Current rating:** 1.5A  
**Voltage rating:** 125 VAC RMS  
**Dielectric strength:** 1000 VAC RMS 60 Hz, 1 min  
**Insulation resistance:** 1000M Ω min 500VDC  
**Contact resistance:** 35m Ω max

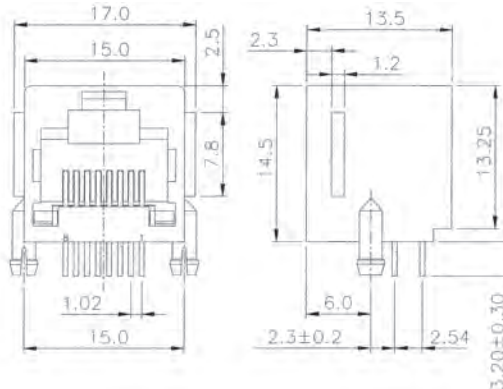
Unit: mm

Cable assemblies available according to your specifications

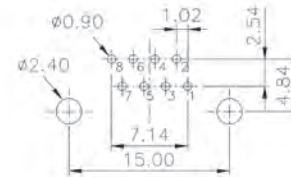
**Advanced Connectors and Cable Assemblies**

## RJ45 Connector

### ORDERING INFORMATION: RJA88-H1100-GUH



### PCB Layout



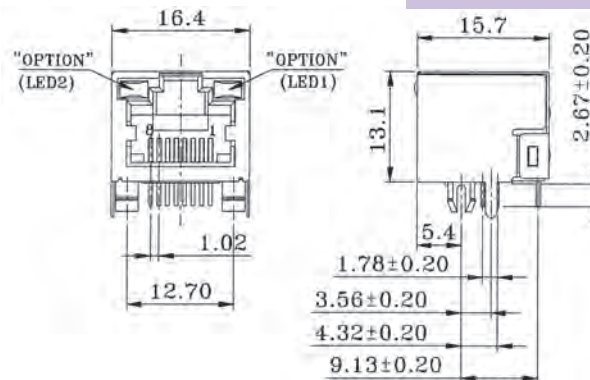
### MATERIAL and FINISH

**Insulator:** Glass filled polyester UL94V-0  
**Contact:** Phosphor bronze  
**Plating:** Gold plating over nickel  
**Operating Life:** 750 cycles min  
**PCB retention pre-solder:** 1 LB min  
**PCB retention post-solder:** 10 LBS min

### SPECIFICATIONS

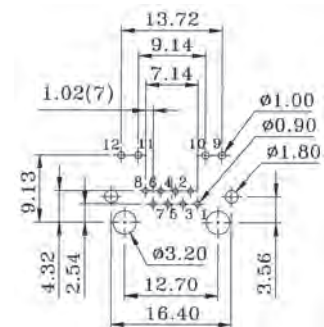
**Current rating:** 1.5A  
**Voltage rating:** 125 VAC RMS  
**Dielectric strength:** 1000 VAC RMS 60 Hz, 1 min  
**Insulation resistance:** 500M Ω min 500VDC  
**Contact resistance:** 30m Ω max

### ORDERING INFORMATION: RJA88-H110 A GSH



LED1: Green - LED2: Yellow  
 ASK for other colors option

### PCB Layout



### MATERIAL and FINISH

**Insulator:** PBT UL94V-0  
**Contact:** Phosphor bronze  
**Plating:** Contact area 6μ gold,  
 Tail 150μ TIN-LEAD  
**Operating Life:** 750 cycles min

### SPECIFICATIONS

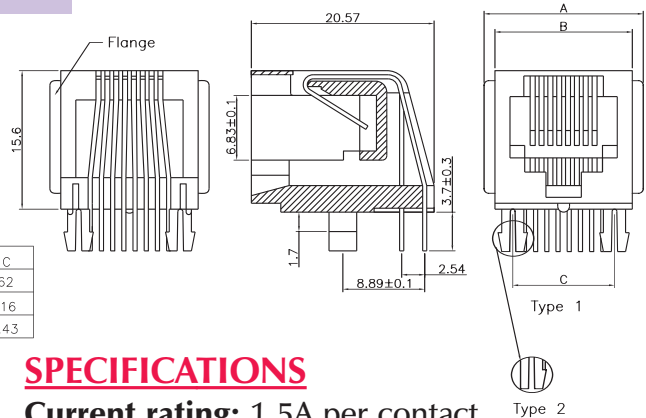
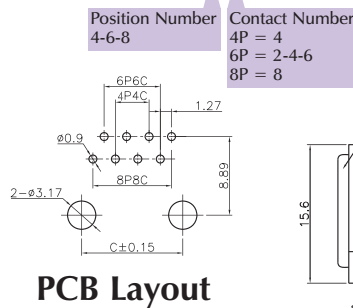
**RJ45**  
**Current rating:** 1.5 A  
**Voltage rating:** 125 VAC RMS  
**Dielectric strength:** 1000 VAC RMS 60 Hz, 1 min  
**Insulation resistance:** 1M Ω min 500VDC  
**Contact resistance:** 30m Ω max

Cable assemblies available according to your specifications

**Advanced Connectors and Cable Assemblies**

## RJ 45 Connector

### ORDERING INFORMATION: RJA 44 - H1100-GUH-3F



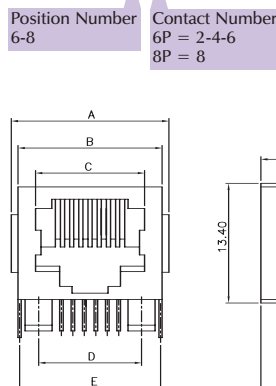
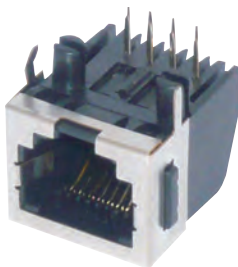
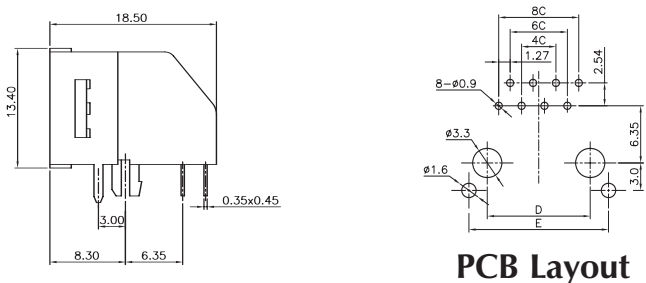
#### MATERIAL and FINISH

**Insulator:** High temperature material - UL94VO  
**Contact:** Copper alloy  
**Plating:** Selective gold plated over nickel

#### SPECIFICATIONS

**Current rating:** 1.5A per contact  
**Voltage rating:** 125 VAC/DC  
**Dielectric withstanding voltage:** 1000 VAC  
**Insulation resistance:** 500M  $\Omega$  min  
**Contact resistance:** 20m  $\Omega$  max  
**Temperature range:** -40°C to +85°C

### ORDERING INFORMATION: RJA 62 - H1100-GFH-4

#### MATERIAL and FINISH

**Insulator:** High temperature material - UL94VO  
**Contact:** Copper alloy  
**Plating:** Selective gold plated over nickel

#### SPECIFICATIONS

**Current rating:** 2.0A per contact  
**Voltage rating:** 250 VAC/DC  
**Dielectric withstanding voltage:** 1000 VAC  
**Insulation resistance:** 1000M  $\Omega$  min  
**Contact resistance:** 30 m  $\Omega$  max  
**Temperature range:** -25°C to +125°C

Unit: mm